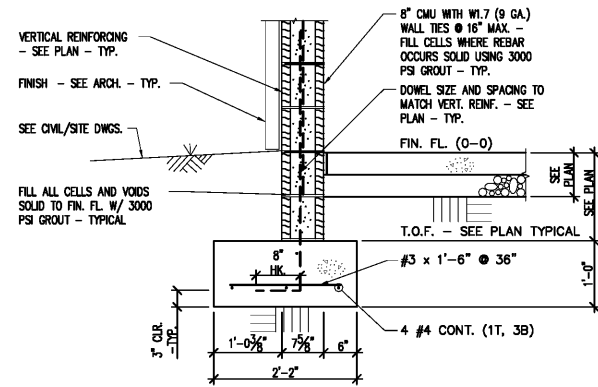
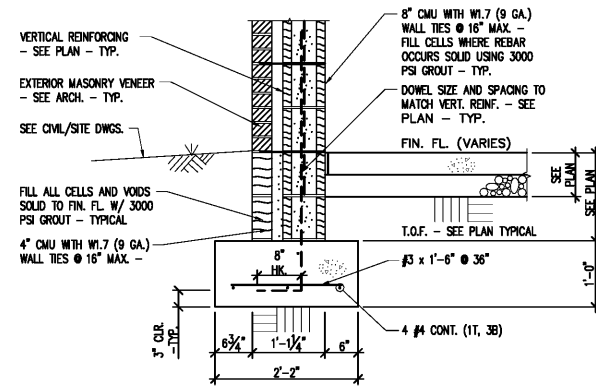


NOTE!
PROVIDE $\emptyset 10\text{'}$ O.C. MAXIMUM AND AT ALL RE-ENTRANT CORNERS - TYPICAL.

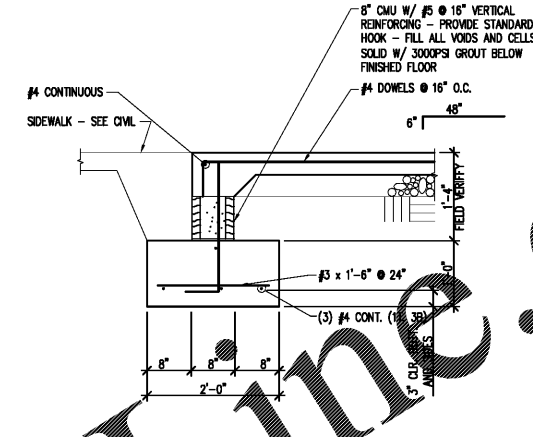
1 CONTROL/CONSTRUCTION JOINT
S301 SCALE: 3/4"=1'-0"



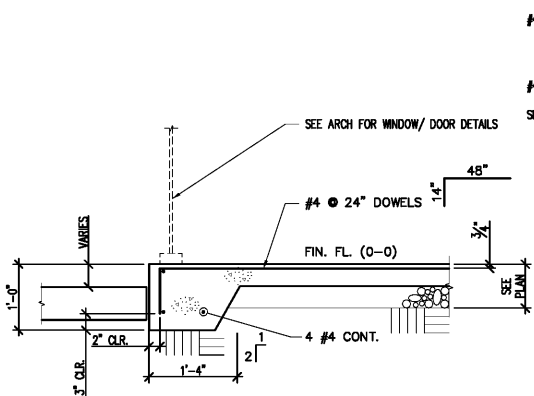
2 SECTION AT EXTERIOR WALL
S301 SCALE: 3/4"=1'-0"



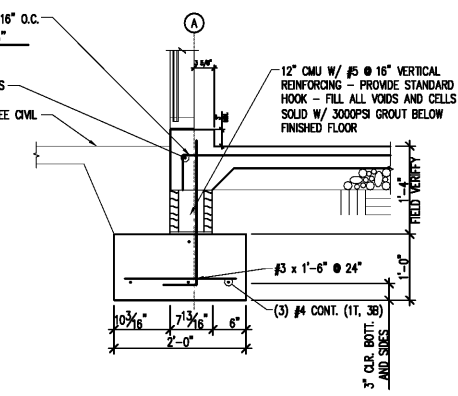
3 SECTION AT EXTERIOR WALL
S301 SCALE: 3/4"=1'-0"



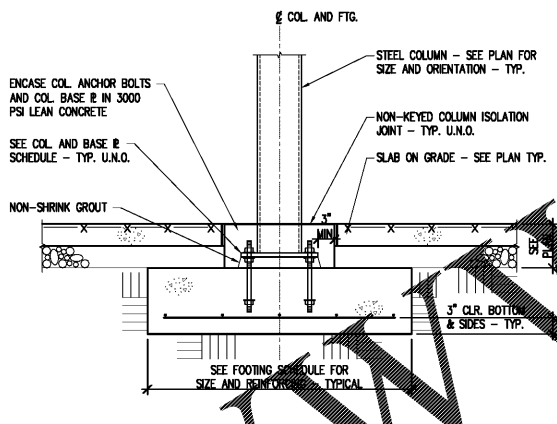
4 SECTION AT WALL OPENING
S301 SCALE: 3/4"=1'-0"



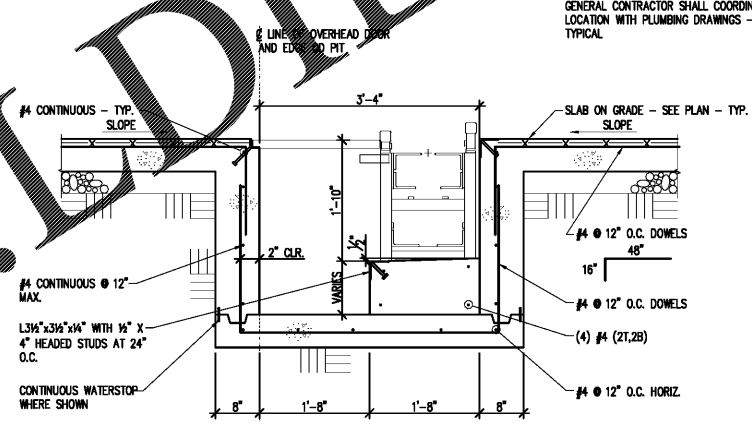
5 TURN DOWN SLAB
S301 SCALE: 3/4"=1'-0"



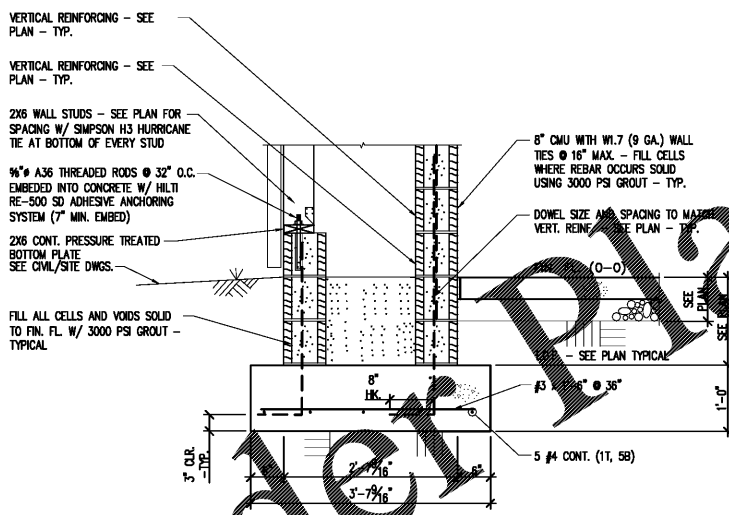
6 SECTION AT NEW OPENING
S301 SCALE: 3/4"=1'-0"



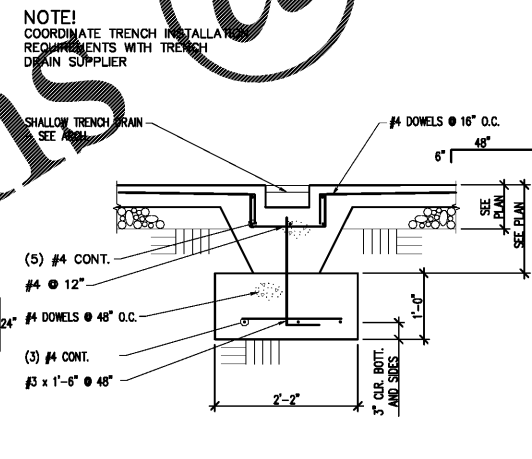
7 SECTION AT INTERIOR COLUMN FOOTING
S301 SCALE: 3/4"=1'-0"



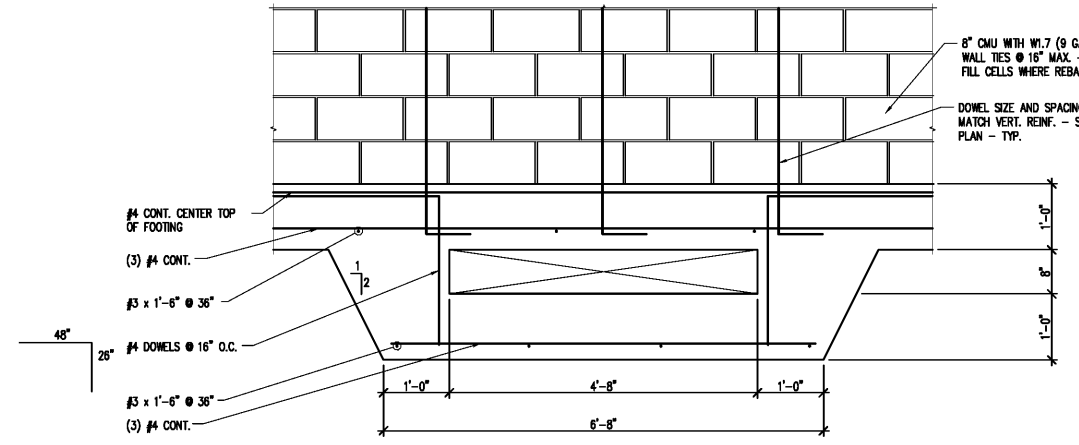
8 SECTION THRU TRENCH
S301 SCALE: 3/4"=1'-0"



9 SECTION AT EXTERIOR WALL
S301 SCALE: 3/4"=1'-0"



10 SECTION AT TRENCH
S301 SCALE: 3/4"=1'-0"



11 TYP. FOOTING OPENING
S301 SCALE: 3/4"=1'-0"

Order Plans @

Project
Sam's Mart
E. Independence Blvd.
Indian Trail, NC 28097

Owner
Sam's Mart
93 Church Place
Suite 200
Matthews, NC 28105



R4
ARCHITECTURE, P.A.

124 Floyd Smith Dr
Suite 375
Charlotte, NC 28262
Tel - 704 - 688-7500

7301 Rivers Avenue
Suite 188
North Charleston, SC 29406
Tel - 843 - 531-6848

www.R4architecture.com

Revision	Date

Drawn By PJW
Checked By JJM
Issue Date 6-30-17
Project No 160345

Sheet Title
FOUNDATION SECTIONS AND DETAILS

Sheet Number
S301



MStruct
Structural Engineering Services, PLLC
Design • Inspection • Testing
1521 Nossou Blvd.
Charlotte, NC 28203
704.507.3099
www.mstruct.com
MStruct Job#: 124-16