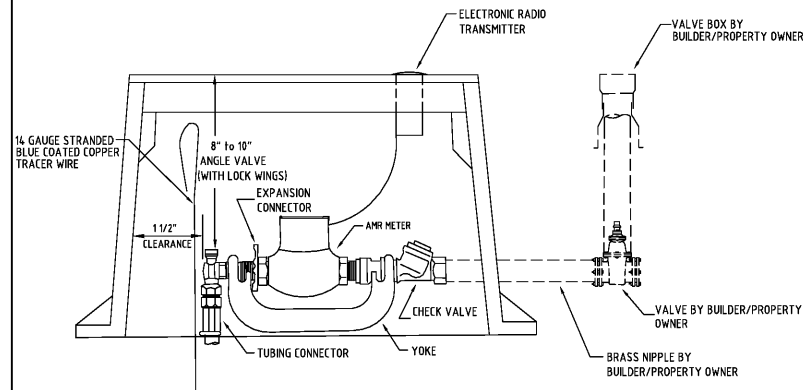


APPROVED SERVICE HARDWARE			
	MUELLER	FORD	
SADDLE UP TO 8"	H-13420	S70	
BALL CORPORATION	B-25008	FB1000G	
YOKE	H-5020	Y 502	
ANGLE BALL VALVE	B-24273	B44-323WG	
CHECK VALVE	H-14247-A	HHS91-323	
CONNECTORS COPPER	STYLE 110	GRIP JOINT	
EXPANSION CONNECTION		EC 23	

NOTE:
ROMAC 10" IN SHALL REPLACE MUELLER FOR PIPE DIAMETER UP TO 8"

SMITH BLAIR 317, FORD FC 202 OR ROMAC 202N SHALL REPLACE MUELLER FOR PIPE DIA. 12" AND UP

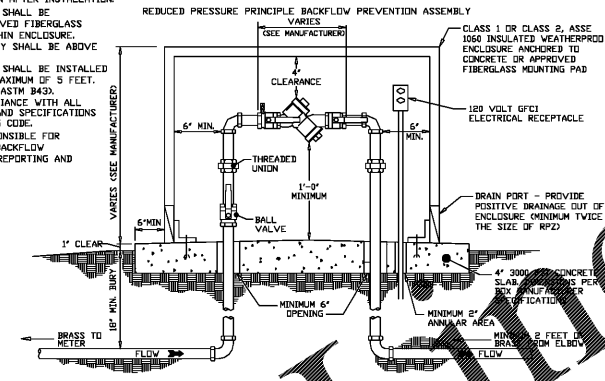
- GENERAL NOTES:**
- METER BOX LID TO HAVE AMR LOCATOR (ALLIANCE 1200 OR EQUAL FOR 50W ERT, STANDARD LID FOR 60W ERT)
 - BUILDER/PROPERTY OWNER INSTALL NIPPLE, VALVE AND VALVE BOX BEFORE METER WILL BE SET.
 - METER AND ERT BY UNION COUNTY @ PREVAILING RATE



UNION COUNTY PUBLIC WORKS DEPARTMENT
UNION COUNTY, N.C. STANDARD DETAIL
SERVICE CONNECTION SCALE: N.T.S. DATE: 10-4-11 **5**

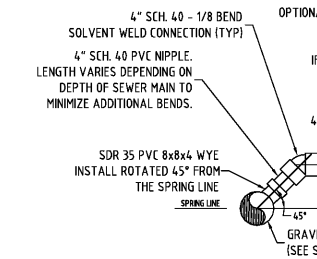
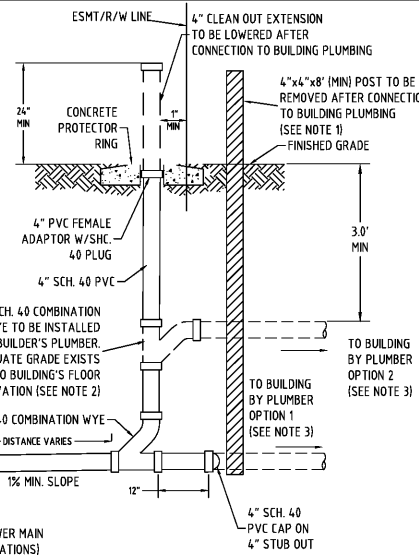
UNION COUNTY PUBLIC WORKS DEPARTMENT
UNION COUNTY, N.C. STANDARD DETAIL
METER INSTALLATION FOR AMR METERS SCALE: N.T.S. DATE: 1-2-14 **6**

- GENERAL NOTES:**
- RPZ SHALL BE INSTALLED FOR CUSTOMER APPLICATIONS APPROVED BY UNION COUNTY PUBLIC WORKS
 - REDUCED PRESSURE PRINCIPLE BACKFLOW PREVENTION ASSEMBLY SHALL COMPLY WITH ASSE 1013 & AVWA C511 (FEDCO B57, WILKINS MODEL 975AL, HERSEY MODEL FRP11 OR EQUAL).
 - OWNER SHALL PROVIDE WRITTEN CERTIFICATION TO THE COUNTY THAT THE RPZ HAS BEEN TESTED BY A CERTIFIED BACKFLOW PREVENTION TECHNICIAN AFTER INSTALLATION.
 - BACKFLOW PREVENTION ASSEMBLY SHALL BE CENTERED ON CONCRETE OR APPROVED FIBERGLASS MOUNTING PAD AND CENTERED WITHIN ENCLOSURE.
 - REDUCER PRESSURE ZONE ASSEMBLY SHALL BE ABOVE GROUND ONLY.
 - BACKFLOW PREVENTION ASSEMBLY SHALL BE INSTALLED OUTSIDE OF THE RIGHT OF WAY, MAXIMUM OF 5 FEET.
 - PIPE MATERIAL SHALL BE BRASS (ASTM B43).
 - INSTALLATION SHALL BE IN COMPLIANCE WITH ALL APPLICABLE COUNTY ORDINANCES AND SPECIFICATIONS IN ADDITION TO THE N.C. PLUMBING CODE.
 - PROPERTY OWNER SHALL BE RESPONSIBLE FOR MAINTENANCE AND OPERATION OF BACKFLOW ASSEMBLY AND COMPLIANCE WITH REPORTING AND TESTING REQUIREMENTS.

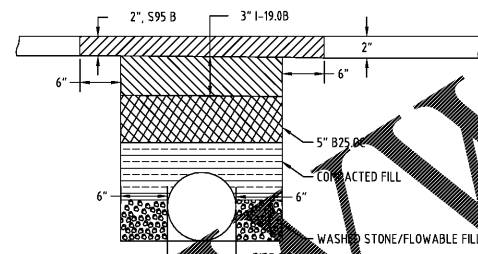


UNION COUNTY PUBLIC WORKS DEPARTMENT
UNION COUNTY, N.C. STANDARD DETAIL
REDUCED PRESSURE ZONE ASSEMBLY SCALE: N.T.S. DATE: 12-13-13 **24A**

- NOTES:**
- THE CLEAN-OUT SHALL BE ADJUSTED TO GRADE AND THE POST REMOVED BY THE PLUMBER UPON CONNECTION TO THE TAP.
 - PLUMBER SHALL HAVE THE OPTION TO INSTALL A ONE PIECE 4" SCH. 40 COMBINATION WYE TO MINIMIZE TRENCH DEPTH OR INSTALL THE SEWER SERVICE LATERAL FROM THE 4" STUB OUT.
 - ALL CONSTRUCTION BY THE PLUMBER, EITHER OPTION 1 OR OPTION 2, SHALL BE INSPECTED AND APPROVED BY UNION COUNTY PLUMBING INSPECTOR UNDER A VALID PLUMBING PERMIT.
 - CONTRACTOR OR UNION COUNTY PUBLIC WORKS PERSONNEL MAY ADJUST SERVICE LATERAL ELEVATION WITH FITTINGS IF ADEQUATE GRADE EXISTS.
 - LATERAL CONNECTIONS TO MANHOLES MUST BE CORED AND BOOT INSTALLED.

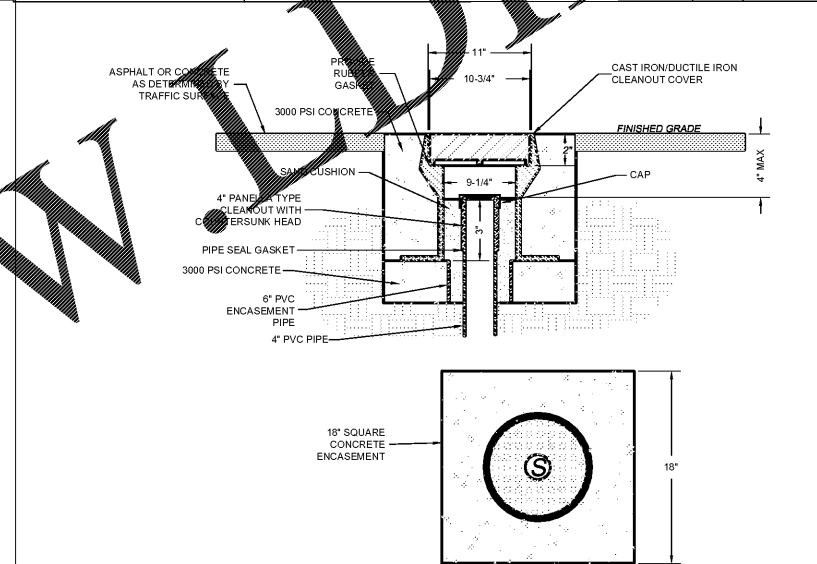


NOTE:
FOR CONCRETE PAVEMENT SUBSTITUTE 3500 PSI CONCRETE TO MATCH EXISTING THICKNESS FOR 1-2 ASPHALT 4" ABC STONE FOR H.BASE.



UNION COUNTY PUBLIC WORKS DEPARTMENT
UNION COUNTY, N.C. STANDARD DETAIL
SEWER LATERAL SCALE: N.T.S. DATE: 2-14-14 **11**

UNION COUNTY PUBLIC WORKS DEPARTMENT
UNION COUNTY, N.C. STANDARD DETAIL
PAVEMENT REPLACEMENT SCALE: N.T.S. DATE: 11-7-14 **15**



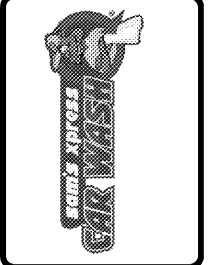
CLEANOUT COVER ASSEMBLY TRAFFIC AREA

Order Plans @

ENGINEERING
FIRM LICENSE # C-0873
2013A Van Buren Avenue
Indian Trail, NC 28079
(704) 882-4222
www.esplonline.net

SEAL
14959
NORTH CAROLINA
PLUMBING BOARD
HOUSTON, TEXAS
12/13/17

NO.	DATE	BY	REVISION



SAM'S EXPRESS CAR WASH
TECHNOLOGY DRIVE
INDIAN TRAIL, NC
SAM'S REAL ESTATE
7935 COUNCIL PLACE, SUITE 102
MATTHEWS, NC 28105

DETAILS

DESIGNED BY	JLR	SCALE	AS SHOWN
DRAWN BY	JAR	CHECKED BY	JHR
DATE	07/05/17	JOB NUMBER	5558