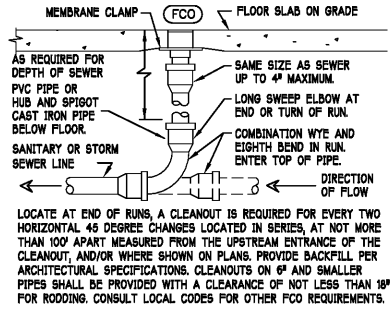
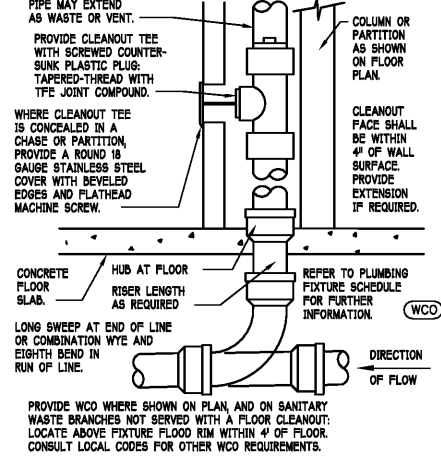


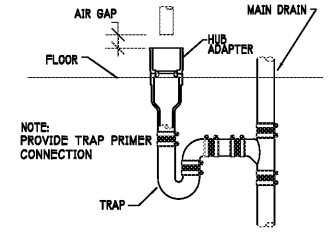
ROUND SECURED GASKETED NICKEL BRONZE ADJUSTABLE TOP WITH 100" CAST IN COVER. PROVIDE CLEANOUT TOP WITH VARIATIONS SUITABLE FOR FLOOR COVERING (CARPET MARKER, RECESSED FOR TILE, SCORIALIZED FOR UNFINISHED FLOORS). PROVIDE GASKETED PLASTIC PLUG IN CAST IRON BODY. USE TEFLON JOINT COMPOUND, OR TEFLON TAPE ON PLUG THREADS. CLEAN THE TOP OF EXPOSED PCO AFTER INSTALLATION.



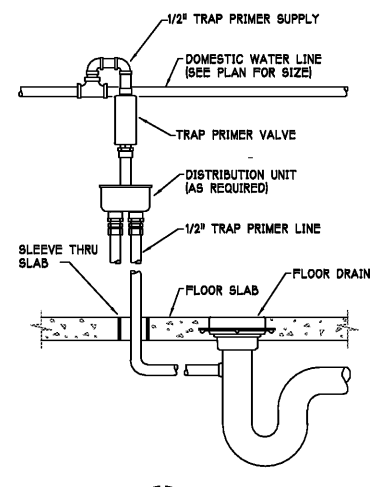
1 FLOOR CLEAN OUT DETAIL
P5 NOT TO SCALE



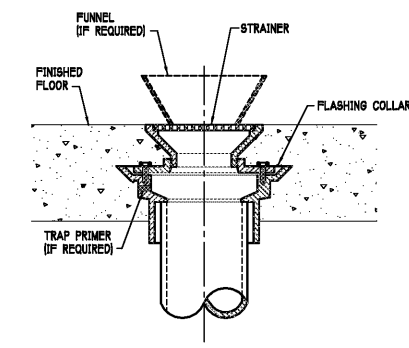
2 WALL CLEANOUT DETAIL
P5 NOT TO SCALE



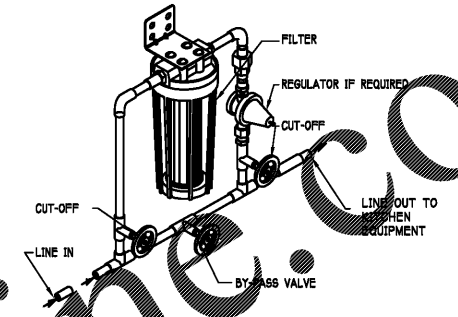
3 HUB DRAIN DETAIL
P5 NOT TO SCALE



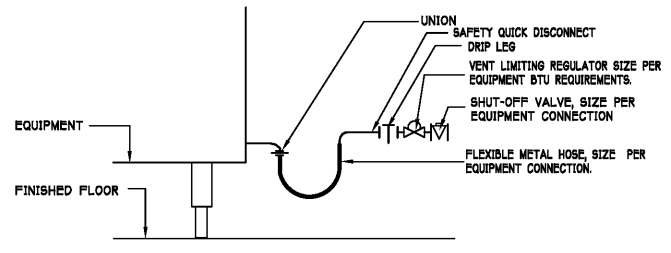
4 TRAP PRIMER DETAIL
P5 NOT TO SCALE



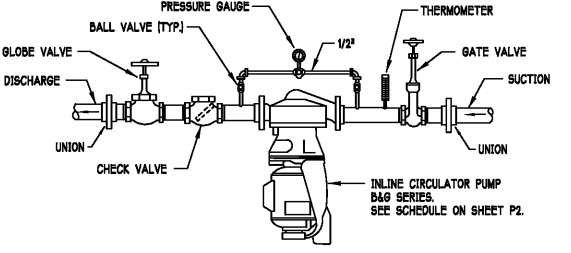
5 FLOOR DRAIN DETAIL
P5 NOT TO SCALE



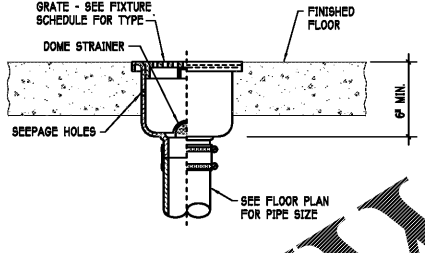
6 FILTER DETAIL
P5 NOT TO SCALE



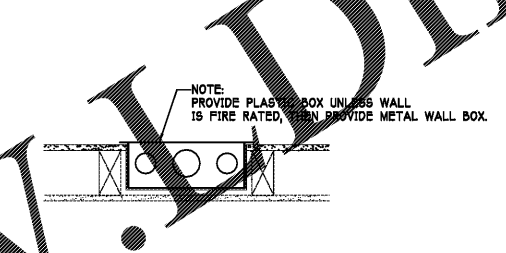
7 KITCHEN GAS EQUIPMENT PIPING DETAIL
P5 NOT TO SCALE



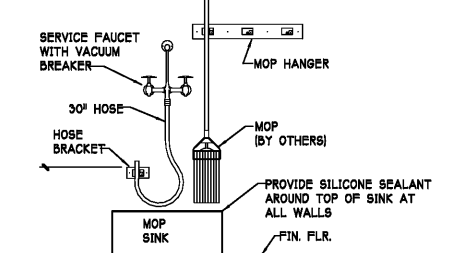
8 RECIRCULATION PUMP DETAIL
P5 NOT TO SCALE



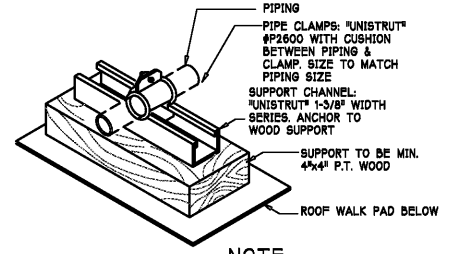
9 FLOOR SINK DETAIL
P5 NOT TO SCALE



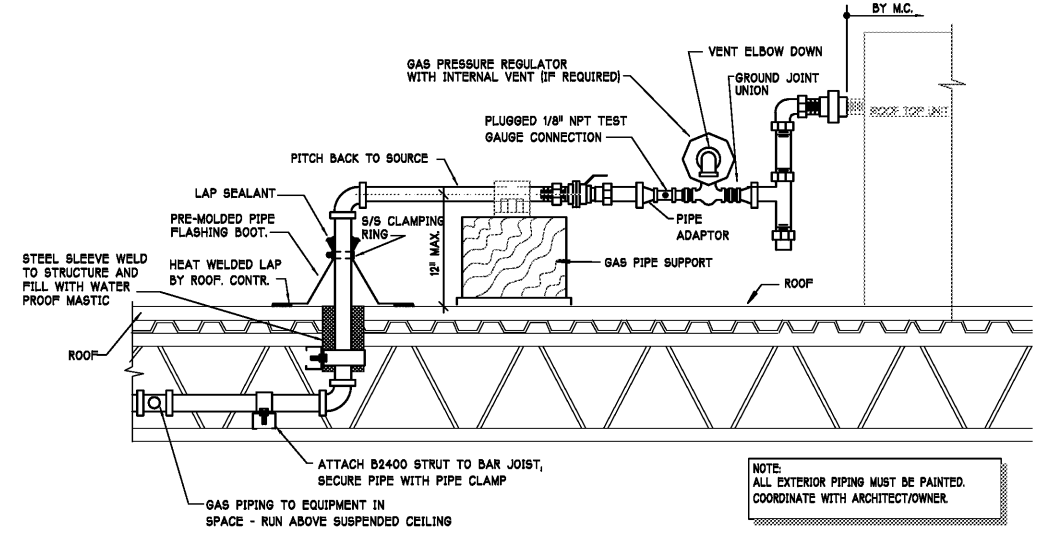
10 ICE MAKER WALL BOX DETAIL
P5 NOT TO SCALE



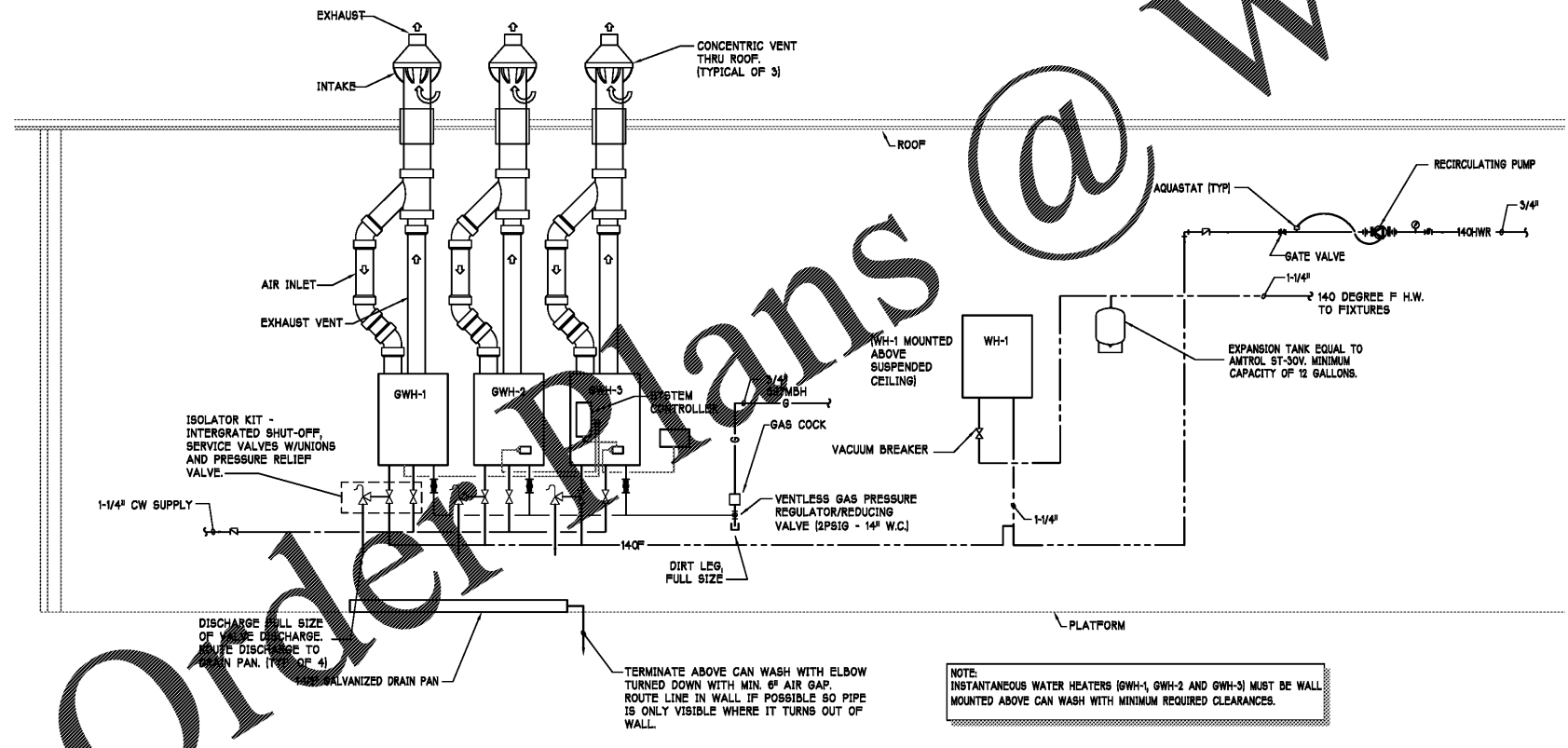
11 MOP SINK DETAIL
P5 NOT TO SCALE



12 GAS AND ELECTRIC WATER HEATERS DETAIL
P5 NOT TO SCALE



13 GAS PIPING DETAIL
P5 NOT TO SCALE



12 GAS AND ELECTRIC WATER HEATERS DETAIL
P5 NOT TO SCALE

LANDSEY ARCHITECTURE
125 S. Main Street, Suite 300
Wilmington, NC 27401
P. 336.617.4402
F. 336.617.4434
www.landseyarchitecture.com



VP ENGINEERING
VRETTOS PAPPAS CONSULTING ENGINEERS, P.A.
193 New 215th St., Charlotte, NC 28223
28195 Coliseum Drive, P.O. Box 1851, Charlotte, NC 28227
704.372.7755 www.vpe.com

COOK OUT MACON
155 Tom Hill Sr. Blvd
Macon GA 31210

PLUMBING DETAILS

| Mk | Date | Description | Revisions |
|----|------|-------------|-----------|
| | | | |
| | | | |
| | | | |

Date 08-24-17
Drawn By APP
Check By AWC
Job No. 17-061-000
Sheet

P5