

**EXHAUST FAN INFORMATION**

FAN UNIT NO.	TAG	FAN UNIT MODEL #	CFM	ESP.	RPM	H.P.	Ø	VOLT	FLA	DISCHARGE VELOCITY	WEIGHT (LBS.)	SONES
1	KEF-1	CASRE20BD	3640	1.200	1256	3.000	3	208	9.5	1691 FPM	380	20

**MUA FAN INFORMATION**

FAN UNIT NO.	TAG	FAN UNIT MODEL #	BLOWER	HOUSING	CFM	ESP.	RPM	H.P.	Ø	VOLT	FLA	WEIGHT (LBS.)	SONES
2	KSF-1	A2-D.250-G15	G15-PB	A2-D.250	3200	0.450	768	2.000	3	208	6.2	786	11.5

**GAS FIRED MAKE-UP AIR UNIT(S)**

FAN UNIT NO.	TAG	ACTUAL AIR DENSITY?	INPUT BTUs	OUTPUT BTUs	TEMP. RISE	REQUIRED INPUT GAS PRESSURE	GAS TYPE
2	KSF-1	NO	206609	190080	55 deg F	7 in. w.c. - 14 in. w.c.	Natural

**FAN OPTIONS**

FAN UNIT NO.	TAG	OPTION (Qty. - Descr.)
1	KEF-1	1 - Utility Set Grease Cup
		1 - RE20 - Discharge Extension Assembly With Hardware.
2	KSF-1	1 - Motorized Backdraft Damper for A2-D Housing
		1 - AC Interlock Relay - 24VAC Coil
		1 - Low Fire Start
		1 - Inlet Pressure Gauge, 0-35"
		1 - Manifold Pressure Gauge, -5 to 15" wc

**FAN ACCESSORIES**

FAN UNIT NO.	TAG	EXHAUST			SUPPLY			
		GREASE CUP	GRAVITY DAMPER	WALL MOUNT	SIDE DISCHARGE	GRAVITY DAMPER	MOTORIZED DAMPER	WALL MOUNT
1	KEF-1	YES						
2	KSF-1						YES	

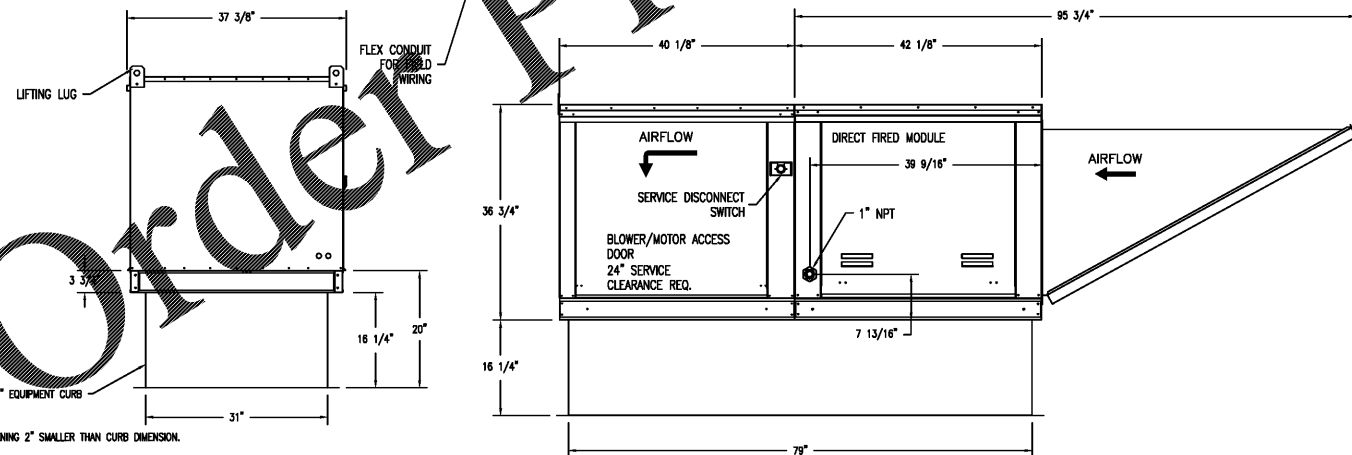
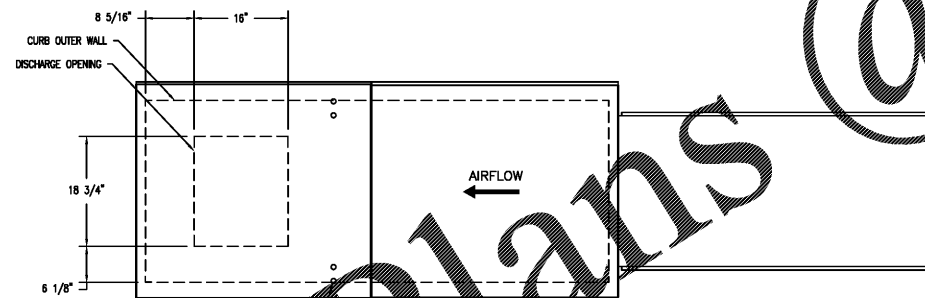
**CURB ASSEMBLIES**

NO.	ON FAN	WEIGHT	ITEM	SIZE
1	# 1	30 LBS	Curb	26.500"W x 26.500"L x 24.000"H 0.500:12.000 Pitch Vented
2	# 2	76 LBS	Curb	31.000"W x 79.000"L x 20.000"H 0.500:12.000 Pitch Along Width, Right Insulated

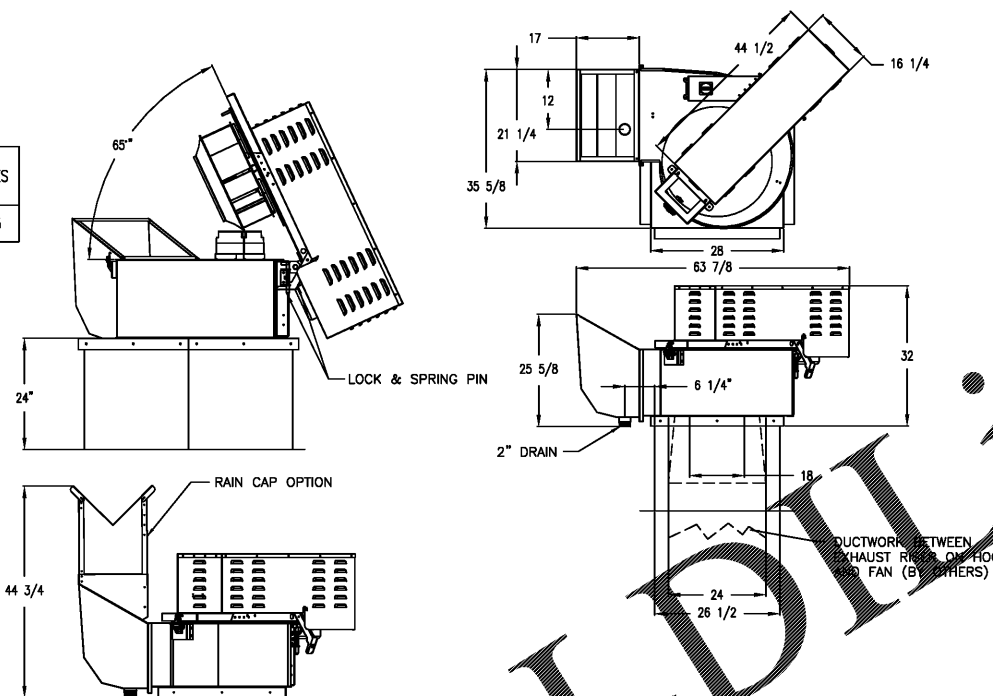
- FAN #2 A2-D.250-G15 - HEATER**
- DIRECT GAS FIRED HEATED MAKE UP AIR UNIT WITH 15" BLOWER
  - INLET HOOD WITH EZ FILTERS
  - DOWN DISCHARGE - AIR FLOW RIGHT -> LEFT
  - MOTORIZED BACK DRAFT DAMPER 22.75" X 24" FOR SIZE 2 STANDARD & MODULAR DIRECT FIRED HEATERS W/EXTENDED SHAFT, STANDARD GALVANIZED CONSTRUCTION, 3/4" REAR FLANGE, LF120S ACTUATOR INCLUDED
  - COOLING INTERLOCK RELAY - 24VAC COIL 120V CONTACTS. LOCKS OUT BURNER CIRCUIT WHEN AC IS ENERGIZED.
  - LOW FIRE START - ALLOWS THE BURNER CIRCUIT TO ENERGIZE WHEN THE MODULATION CONTROL IS IN A LOW FIRE POSITION.
  - GAS PRESSURE GAUGE, 0-35", 2.5" DIAMETER, 1/4" THREAD SIZE
  - GAS PRESSURE GAUGE, -5 TO +15 INCHES WC, 2.5" DIAMETER, 1/4" THREAD SIZE

**SUPPLY SIDE HEATER INFORMATION:**

WATER TEMPERATURE = 20F. TEMP. RISE = 55F.  
 BRINE CALCULATED OFF STANDARD AIR DENSITY  
 OUTPUT BTUs AT ALTITUDE OF 0.0 Ft. = 190080  
 INPUT BTUs AT ALTITUDE OF 0.0 Ft. = 206609



FAN #1 CASRE20BD - EXHAUST FAN



**FEATURES:**

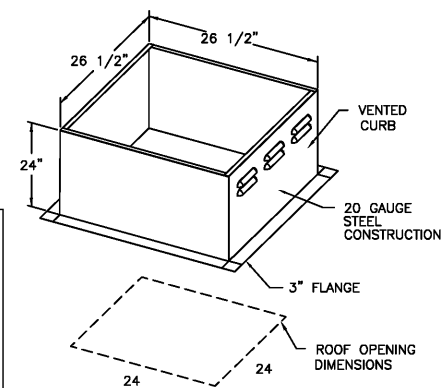
- ROOF MOUNTED FANS
- RESTAURANT MODEL
- UL762
- HIGH HEAT OPERATION DIRECT DRIVE 300°F (149°C)
- HIGH HEAT OPERATION BELT DRIVE 500°F (260°C)
- HEAT SLINGER
- GREASE CLASSIFICATION TESTING
- TILT OUT WHEEL
- LOCKING PIN FOR POWER PACK
- MOTOR WEATHER COVER
- INTERLOCKED DISCONNECT SWITCH

**NORMAL TEMPERATURE TEST BELT DRIVE EXHAUST FAN MUST OPERATE CONTINUOUSLY WHILE EXHAUSTING AIR AT 500°F (260°C) UNTIL ALL FAN PARTS HAVE REACHED THERMAL EQUILIBRIUM, AND WITHOUT ANY DETERIORATION EFFECTS TO PARTS WHICH WOULD CAUSE UNSAFE OPERATION.**

**ABNORMAL FLARE-UP TEST BELT & DIRECT DRIVE EXHAUST FAN MUST OPERATE CONTINUOUSLY WHILE EXHAUSTING BURNING GREASE VAPORS AT 500°F (260°C) FOR A PERIOD OF 15 MINUTES WITHOUT THE FAN BECOMING DAMAGED TO ANY EXTENT THAT COULD CAUSE AN UNSAFE CONDITION.**

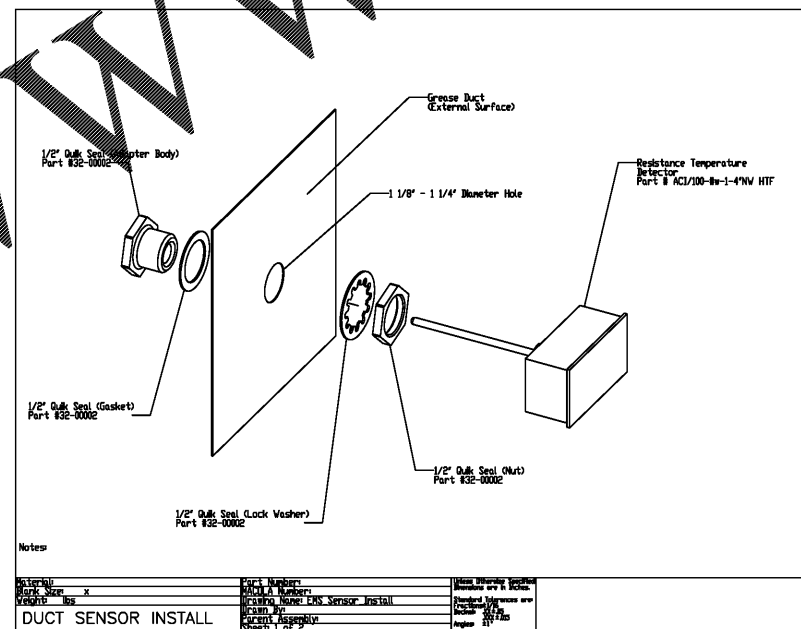
**OPTIONS**

- UTILITY SET GREASE CUP
- RE20 - DISCHARGE EXTENSION ASSEMBLY WITH HARDWARE.



PITCHED CURBS ARE AVAILABLE FOR PITCHED ROOFS.

SPECIFY PITCH:  
 EXAMPLE: 7/12 PITCH = 30° SLOPE



NO.	DESCRIPTION	QTY	REVISION
1	DUCT SENSOR INSTALL	1	1



FOR QUESTIONS, CALL THE  
 PIEDMONT NORTH CAROLINA OFFICE  
 LONNIE GRANT (REGIONAL MANAGER)  
 PHONE: 336-996-8484, FAX: 336-996-0418  
 EMAIL: reg30@captiveaire.com



**VP ENGINEERING**  
 VRETTOS PAPPAS CONSULTING ENGINEERS, P.A.  
 193 Hwy 315A7, Charlotte, NC 28223  
 2819 Colleton Street, Suite 100, Charleston, SC 29405  
 704-322-7755 www.vpe.com

**COOK OUT MACON**  
 155 Tom Hill Sr. Blvd  
 Macon GA 31210

Mk	Date	Description
		Revisions

**KITCHEN FAN DETAILS**

Date: 08-24-17  
 Drawn By: MM  
 Check By: SP  
 Job No.: 17-061-000  
 Sheet:

**M6**