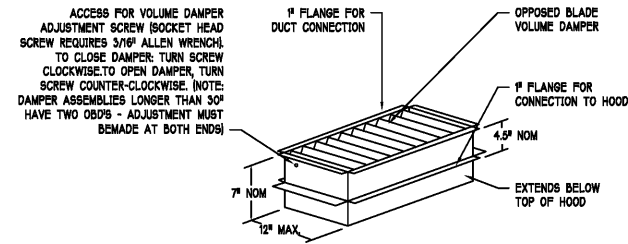
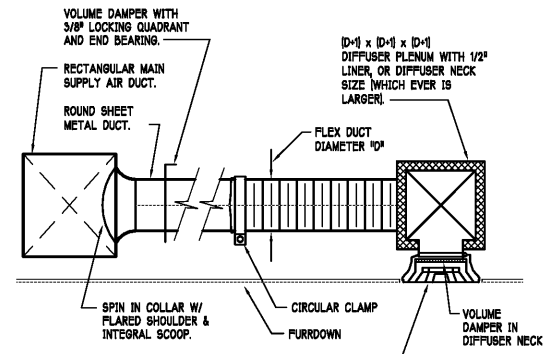


ROD AND NUTS TO BE SUPPLIED BY INSTALLING CONTRACTOR

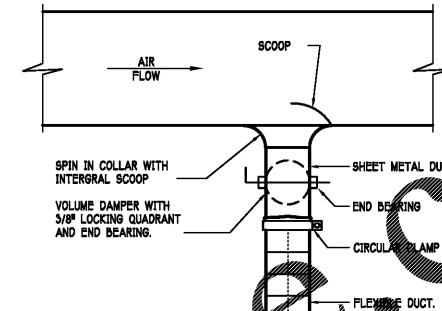
1 HOOD HANGING ANGLE DETAIL  
M3 NOT TO SCALE



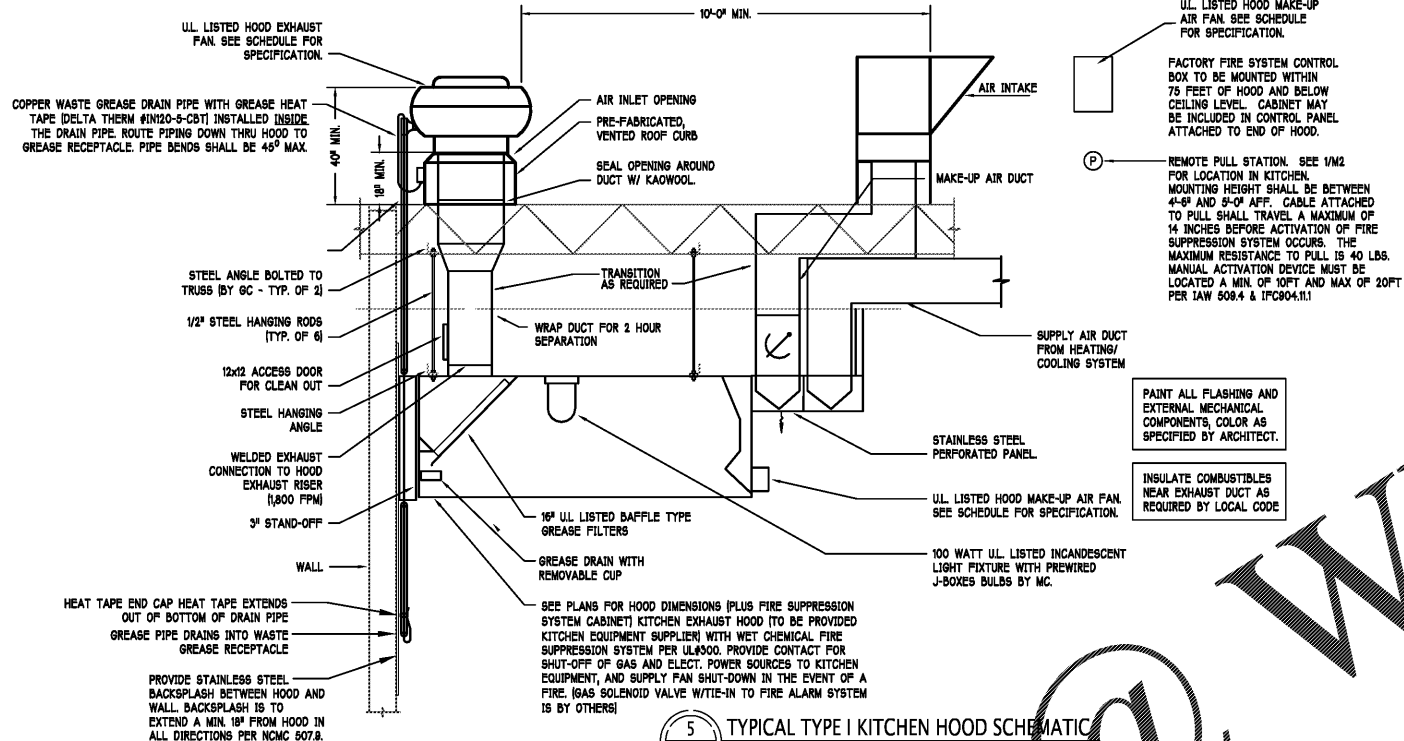
2 HOOD MAKE UP AIR DAMPER  
M3 NOT TO SCALE



3 SUPPLY AIR DIFFUSER DETAIL  
M3 NOT TO SCALE



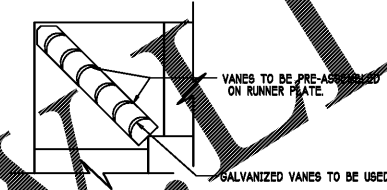
4 ROUND SUPPLY TAP  
M3 NOT TO SCALE



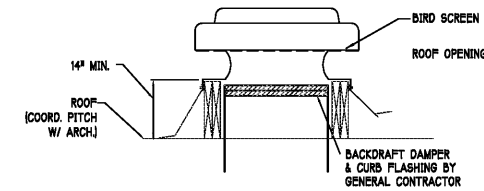
5 TYPICAL TYPE I KITCHEN HOOD SCHEMATIC  
M3 NOT TO SCALE

3 SUPPLY AIR DIFFUSER DETAIL  
M3 NOT TO SCALE

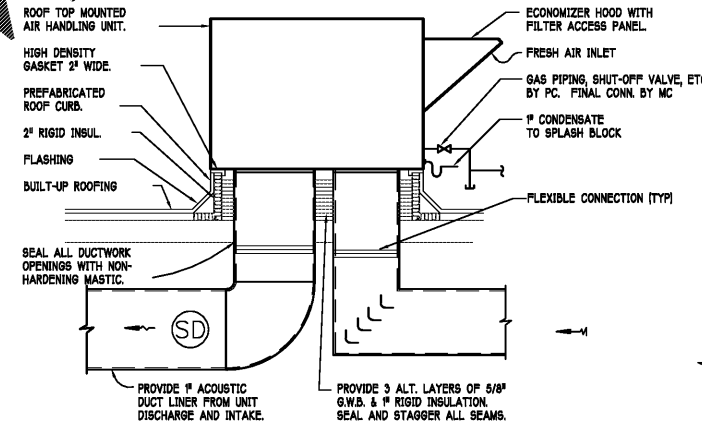
4 ROUND SUPPLY TAP  
M3 NOT TO SCALE



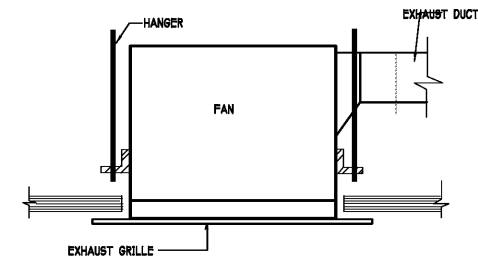
6 SQUARE ELBOW W/TURNING VANES  
M3 NOT TO SCALE



7 GRAVITY ROOF VENT DETAIL  
M3 NOT TO SCALE



8 ROOF TOP MOUNTED UNIT  
M3 NOT TO SCALE



9 EXHAUST FAN DETAIL  
M3 NOT TO SCALE

- KITCHEN HOOD NOTES (TYPE I)**
- KITCHEN EXHAUST DUCT TO BE CONSTRUCTED OF 16 GAUGE BLACK IRON W/CONTINUOUS EXTERNAL LIQUID-TIGHT WELDS.
  - SLOPE EXHAUST DUCT 1/4" PER FOOT MINIMUM.
  - RADIUS THROAT AND ELBOW OF EXHAUST DUCT.
  - OFFSETS WITH MINIMUM 6" INNER RADIUS PROVIDE CLEAN-OUTS PER CODE.
  - WRAP ENTIRE DUCT W/UL FIRE RESISTANT THERMAL CERAMICS, FROM HOOD EXHAUST TO FAN DISCHARGE WHEN REQD. FOR CLEARANCES PER CODE.
  - DUCT WRAP TO BE INSTALLED PER CODE REQUIREMENTS AND UL CLASSIFICATION AND TESTS.
  - GC TO SPACE STRUCTURE TO ACCOMMODATE DUCTS W/WRAP AS REQUIRED. MIN 18" OF A TYPE 1 HOOD SHALL BE NONCOMBUSTIBLE OR SHALL BE LISTED FOR THE APPLICATION. PROVIDE RATED GASKET W/ RATED ACCESS DOOR AS REQUIRED.
  - PROVIDE/PROTECT CLEAN-OUTS PER MANUFACTURER'S AND UL REQUIREMENTS, PER NFPA 96.
  - PROVIDE WITH FACTORY PRE-WIRED MOTOR CONTROL.
  - INSTALL HOOD AT HEIGHT PER CODE & W/ GREASE FILTERS 42" ABOVE COOKING SURFACE.
  - HOOD CAPTURE SIZE BASED UPON EQUIP. SCHEDULED TO BE UNDER HOOD PLUS MIN. 6" ON ALL EXPOSED SIDES PER CODE. FIELD VERIFY/COORD. HOOD SIZE & FANS CAPACITIES W/ACTUAL EQUIP. FURNISHED.
  - EXACT HOOD-DUCT CONNECTION & TRANSITION FABRICATION SHALL BE FULLY COORD. W/HOOD MFG. PRIOR TO FABRICATION.
  - INTERLOCK EXHAUST & SUPPLY FAN FROM HOOD FOR SIMULTANEOUS OPERATION.
  - PROVIDE #1 CLASS FIRE EXTINGUISHER THAT COMPLIES W/ IFC904.11.6.

- KITCHEN HOOD FIRE SUPPRESSION SYSTEM**
- PROVIDE A PRE-ENGINEERED, MECHANICAL CARTRIDGE OPERATED TYPE FIRE SUPPRESSION SYSTEM. IT SHALL BE A PRESSURE AGENT DISTRIBUTION NETWORK, AND SHALL BE UL LISTED. THE SYSTEM SHALL BE CAPABLE OF AUTOMATIC DETECTION AND REMOTE ACTUATION. THE SYSTEM SHALL BE IN ACCORDANCE WITH NFPA 96 AND AUTHORITY HAVING JURISDICTION. DISCHARGE NOZZLES WILL PROVIDE COVERAGE OF, BUT NOT LIMITED TO, THE HOOD AREA. EXHAUST DUCT, FURNISH ELECTRIC OPERATED SHUT OFF VALVE. THE SYSTEM SHALL BE 10' ANSUL MODEL R-102 OR APPROVED EQUAL.
- NOTE:  
KITCHEN HOOD AND FIRE SUPPRESSION INFORMATION IS PROVIDED FOR INFORMATIONAL PURPOSES ONLY.
- PROVIDED FEATURES:**
- ROOF MOUNTED FANS
  - RESTAURANT MODEL
  - UL 762 & UL 705
  - WEATHERPROOF DISCONNECT
  - THERMAL OVERLOAD PROTECTION
  - HIGH HEAT OPERATION (HOOT)
  - GREASE CLASSIFICATION TESTING:
  - CSA APPROVED
- PROVIDED OPTIONS:**
- GREASE CUP
  - HINGED BASE
  - HASP KIT
  - PITCHED CURB (COORDINATE ROOF PITCH W/ ARCH)
- NORMAL TEMPERATURE TEST**  
EXHAUST FAN MUST OPERATE CONTINUOUSLY WHILE EXHAUSTING AIR AT 400F (204C) UNTIL ALL FAN PARTS HAVE REACHED THERMAL EQUILIBRIUM, AND WITHOUT ANY DETERIORATING EFFECTS TO THE FAN WHICH WOULD CAUSE UNSAFE OPERATION.
- ABNORMAL FLARE-UP TEST**  
EXHAUST FAN MUST OPERATE CONTINUOUSLY WHILE EXHAUSTING BURNING GREASE VAPORS AT 600 DEG. F (316 DEG. C) FOR A PERIOD OF 15 MINUTES WITHOUT THE FAN BECOMING DAMAGED TO ANY EXTENT THAT COULD CAUSE AN UNSAFE CONDITION.

Order placed @

**LINDSEY ARCHITECTURE**  
125 S. Salisbury Street, Suite 300  
Salem, NC 27401  
p. 336.617.4402  
f. 336.617.4434  
www.lindsayarchitecture.com

**VP ENGINEERING**  
No. 029733  
PROFESSIONAL ENGINEER  
MICHAEL MIKE PATRICK  
08/24/17

**VP ENGINEERING**  
VRETTOS PAPPAS CONSULTING ENGINEERS, P.A.  
193 New 215th St., Charlotte, NC 28223  
2819 Colleton Drive, P.O. Box 1861, Charlotte, NC 28227  
704.372.7755 vpece@vpece.com

**COOK OUT MACON**  
155 Tom Hill Sr. Blvd  
Macon GA 31210

Mk	Date	Description

**MECHANICAL DETAILS**

Date 08-24-17  
Drawn By MM  
Check By SP  
Job No. 17-061-000  
Sheet

**M3**