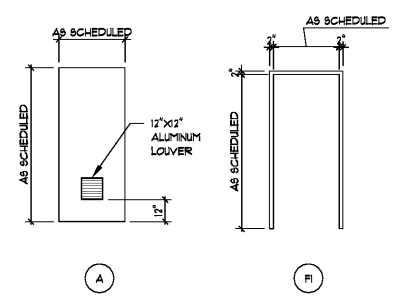


1 RESTROOM PLANS
SCALE: 1/4"=1'-0"

ACCESSORY SCHEDULE		
A	42" HORIZONTAL GRAB BAR 3100	ASI
B	36" HORIZONTAL GRAB BAR 3100	ASI
C	18" VERTICAL GRAB BAR 3100	ASI
D	TOILET PAPER DISPENSER	OWNER-SELECTED
E	NAIPEN DISPOSAL 0952	ASI
F	PAPER TOWEL DISPENSER	OWNER-SELECTED
G	SOAP DISPENSER 0332	ASI
H	MIRROR 0600 (8x36)	ASI
J	HAND DRYER - AIRBLADE V AB12	DYSON
K	NOT USED	
L	MEN'S HANDICAP SIGN - BFM68 BLACK	ROCKWOOD
M	WOMEN'S HANDICAP SIGN - BFM688 BLACK	ROCKWOOD
N	UNISEX HANDICAP SIGN - BFM689 BLACK	ROCKWOOD

- PROVIDE BLOCKING AS REQUIRED.
- SEE SHEET A01 FOR MOUNTING HEIGHTS.

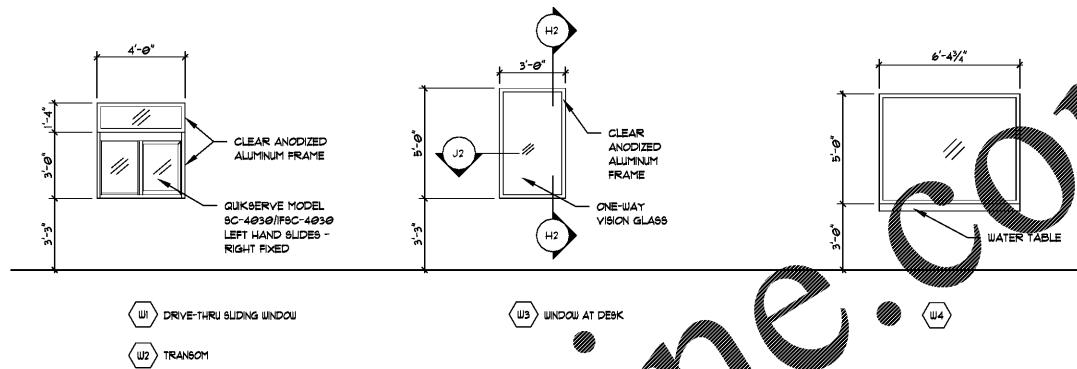
SOLID PLASTIC RESTROOM PARTITIONS & DOOR BY ROCKVILLE - FLOOR MOUNTED, OVER-HEAD BRACED, COLOR: BLACK.



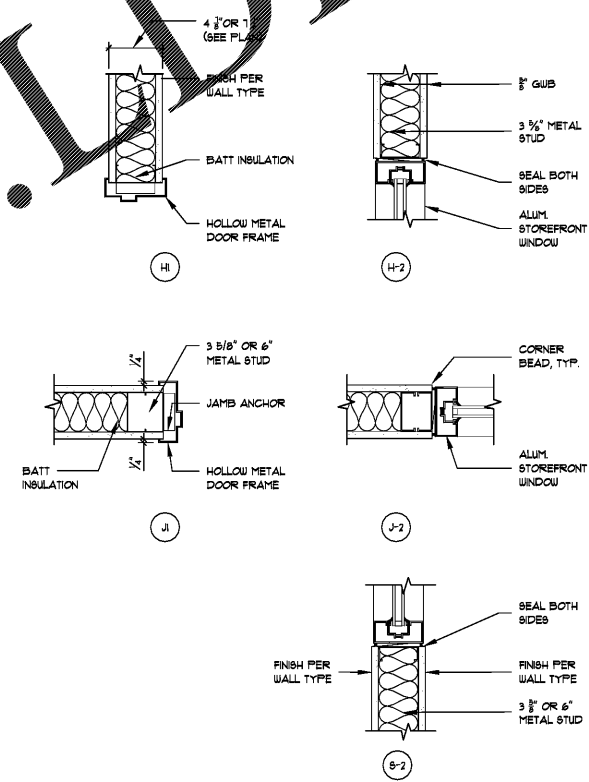
2 DOOR AND FRAME ELEVATIONS
SCALE: 1/4"=1'-0"

DOOR SCHEDULE											
DOOR NO.	DOOR SIZE		FRAME	DOOR			DETAILS		FIRE RATING	HARDWARE	REMARKS
	WIDTH	HEIGHT	THICK.	MATERIAL	ELEV.	MATL.	ELEV.	HEAD	JAMB	BILL	
101	3'-0"	6'-0"	1 3/4"	INSUL	--	INSUL	--	--	--	--	FURNISHED BY COOLER SUPPLIER
109	3'-0"	6'-0"	1 3/4"	INSUL	--	INSUL	--	--	--	--	FURNISHED BY COOLER SUPPLIER
111	3'-0"	1'-0"	1 3/4"	HM	FI	UD	D	H-1	J-1	--	D.F.L.M.
112	3'-0"	1'-0"	1 3/4"	HM	FI	UD	D	H-1	J-1	--	C.F.L.M.
113	2'-6"	1'-0"	1 3/4"	HM	FI	UD	B	H-1	J-1	--	E.F.G.L.H.S. CLOSET DOOR AND MOP SINK

HARDWARE	NOTES
A	2 FAIR BUTT HINGES X NRP (STAINLESS STEEL WITH BEARINGS)
B	PANIC HARDWARE - PUSH BAR EXT DEVICE, VON DUFREN MODEL #29NL X 298NL X 3610 X 260
C	LEVER HANDLE LOCKSET (PRIVACY SET, SCHLAGE ND400 X ATHENS X 626
D	LEVER HANDLE LOCKSET (PASSAGE SET, SCHLAGE ND100 X ATHENS X 626
E	LEVER HANDLE LOCKSET (ENTRY SET, SCHLAGE ND53PD X ATHENS X 626
F	HEAVY DUTY DOOR CLOSER - SURFACE MOUNTED INSIDE, DORMA MODEL #5616 FC JARP X 603
G	ALUMINUM THRESHOLD (FLAT ONE SIDE TO RECEIVE FLOOR TILE)
H	THRU-DOOR VIEWER KIT "PEEP-HOLE", MODEL #DS 1000M10 (TWO)
I	WEATHERSTRIPPING AND DOOR SWEEP
J	FULL HANDLE
K	PUSH BAR
L	STAINLESS STEEL KICK PLATE (ON BOTH SIDES - 34" X 10" HIGH)
M	CONTINUOUS HINGE, ASH MODEL #A210H293 X ALUM
N	HEAVY DUTY DOOR CLOSER - TO MATCH STOREFRONT
P	CYLINDRICAL LOCKSET - KEYED OUTSIDE, THUMB TURN INSIDE
Q	RESTROOM BANTARY DOOR OPENER-ARM
R	RESTROOM BANTARY DOOR OPENER-TOE
S	LOUVER, THRU-DOOR, 12"x12", ALUM. FINISH TO MATCH ALUM. STOREFRONT
T	2 FAIR BUTT HINGES X NRP (STAINLESS STEEL WITH BEARINGS)
D	LATCH-PLATE (TAMPER RESISTANT)



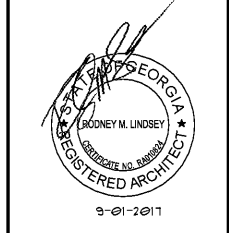
3 WINDOW ELEVATIONS
SCALE: 1/4"=1'-0"



4 HEAD AND JAMB DETAILS
SCALE: 1 1/2"=1'-0"

Order Plans @

ROCKVILLE ARCHITECTURE
S. Lindsey
300 S. Elm Street, Suite 300
Greensboro, NC 27401
p. 336.617.4402
f. 336.617.4434
www.lindseyarchitecture.com



COOK OUT
155 Tom Hill Sr. Blvd
Macon GA 31210

NO.	DATE	DESCRIPTION

DOOR SCHEDULE AND DETAILS

DATE: 09-01-2011
DRAWN BY: DNE
CHECK BY: RML
JOB NO.: 17-061-000
SHEET: **A3.1**