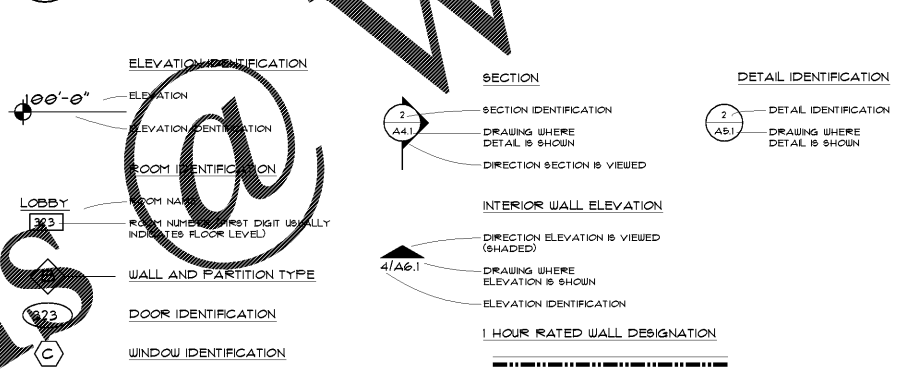


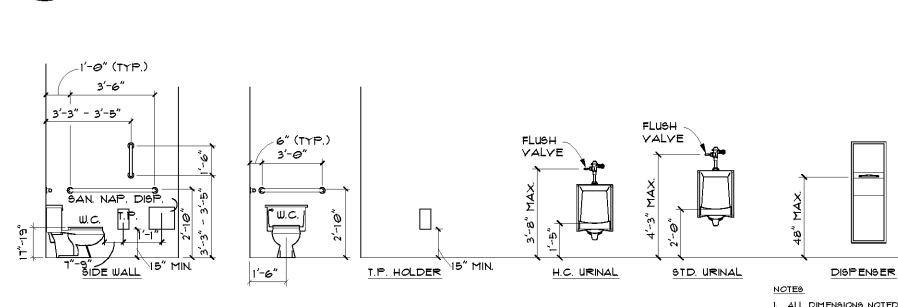
ABV.	ABOVE	F.B.	FACE BRICK	POLY ISO	POLYMERIC ISOMER
A.F.F.	ABOVE FINISHED FLOOR	F.O.C.	FACE OF CONCRETE	FR.	FAIR
AC.	ACOUSTICAL	F.O.F.	FACE OF FINISH	FT.D.	PAINT (ED)
AC.FL.	ACOUSTICAL PLASTER	F.O.M.	FACE OF MASONRY	F.B.	FRANK BAR
ACT.	ACTUAL	F.O.S.	FACE OF STUDS	FAR.	PARALLEL
ADD.	ADDENDUM	FGL.	FIBERGLASS	P.B.D.	PARTICLE BOARD
ADH.	ADHESIVE	FD.	FIELD DETERMINE	FTN.	PARTITION
ADJ.	ADJACENT	FN.	FINISH(ED)	FVHT.	PAVEMENT
ADJT.	ADJUSTABLE	FL.	FLOOR FLOOR	FED.	FEDESTAL
AGG.	AGGREGATE	F.A.	FIRE ALARM	PERF.	PERFORATED(ED)
A/C.	AIR CONDITIONING	F.C.	FIRE CODE	PERIM.	PERIMETER
ALT.	ALTERNATE	F.E.	FIRE EXTINGUISHER	PLAS.	PLASTER
ALUM.	ALUMINUM	F.E.C.	FIRE EXTINGUISHER CAB.	PLAM.	PLASTIC LAMINATE
A.B.	ANCHOR BOLT	F.H.C.	FIRE HOSE CABINET	PL.	PLATE
ANGD.	ANGLED	FPL.	FIREPLACE	PLY.	PLYWOOD
APFX.	APPROXIMATELY	FP.	FIREPROOF	PT.	POINT
ARCH.	ARCHITECTURAL	FRT.	FIRE-RETARDANT	P.V.C.	POLYVINYL CHLORIDE
A.D.	AREA DRAIN	FLG.	FLASHING	P.C.F.	POUNDS PER CUBIC FOOT
ABD.	ABESTOS	FLX.	FLEXIBLE	P.L.F.T.	POUNDS PER LINEAL FOOT
ASPH.	ASPHALT	FLR.	FLOORING(S)	P.S.F.	POUNDS PER SQUARE FOOT
A.T.	ASPHALT TILE	F.D.	FLOOR DRAIN	P.S.I.	POUNDS PER SQUARE INCH
AUTO.	AUTOMATIC	F.L.	FLOOR	P.C.	PRE CAST
		F.J.	FLUSH JOINT	P.F.B.	PREFABRICATED(ED)
		FT.	FOOT (FEET)	PFN.	PRE FINISHED
		FTG.	FOOTING	PL.	PROPERTY LINE
		FOUND.	FOUNDATION		
		FR.	FRAMED(ING)		
		FR.A.	FRESH AIR		
		F.S.	FULL SIZE		
		FUR.	FURNISHING(S)		
		FUT.	FUTURE		
		GA.	GAUGE	RAD.	RADIATION
		GALV.	GALVANIZED	RADJ.	RADIUM
		G.C.	GENERAL CONTRACTOR(OR)	R.W.L.	RAINWATER LEADER
		GL.	GLASS, GLAZING	REF.	REFERENCE
		GL.B.	GLASS BLOCK	RFL.	REFLECT(ED) (IVE), (OR)
		G.C.M.U.	GLAZED CONCRETE MASONRY UNIT	REFR.	REFRIGERATOR
				REG.	REGISTER
				R.C.P.	REINFORCED CONCRETE PIPE
				REM.	REMOVE
				REQ'D.	REQUIRED
				RES.	RESILIENT
				R.A.	RETURN AIR
				REV.	REVISION(S) REVISED
				R.H.	RIGHT HAND
				R.G.W.	RIGHT OF WAY
				R.	RIBER
				R.D.	ROOF DRAIN
				R.H.	ROOF HATCH
				RFG.	ROOFING
				RH.	ROUGH
				R.O.	ROUGH OPENING
				S.F.GL.	SAFETY GLASS
				SCHED.	SCHEDULE
				SECT.	SECTION
				SHTG.	SHEATHING
				SHT.	SHEET
				SHELV.	SHELVING
				SH.	SHIMLAR
				SKYLT.	SKYLIGHT
				SL.	SLEEVE
				S.C.	SOLID CORE
				SP.	SOUNDPROOF
				SPK.	SPEAKER
				SPFC.	SPECIFICATION(S)
				SQ.	SQUARE
				S.F.	SQUARE FOOT (FEET)
				S.S.	STAINLESS STEEL
				STD.	STANDARD
				STA.	STATION
				STL.	STEEL
				STOR.	STORAGE
				S.D.	STORM DRAIN
				STR.	STRUCTURE
				STR.L.	STRUCTURAL
				S.C.T.	STRUCTURAL CLAY TILE
				SUSP.	SUSPENDED
				SYM.	SYMMETRY (CAL)
				SYN.	SYNTHETIC
				SY.S.	SYSTEM
				TK.BD.	TACK BOARD
				TKS.	TACK STRIP
				TEL.	TELEPHONE
				T.V.	TELEVISION
				TEMP.	TEMPORARY, TEMPERED
				T.C.	TERRA COTTA
				TERRAZZ.	TERRAZZO
				THK.	THICK(NESS)
				THR.	THRESHOLD
				T.FTN.	TOILET PARTITION
				T&G.	TONGUE AND GROOVE
				T.O.F.	TOP OF FOUNDATION
				T.O.S.	TOP OF SLAB
				T.O.S.	TOP OF STEEL
				T.O.W.	TOP OF WALL
				T.P.O.	THERMOPLASTIC POLYOLEFIN
				T.B.	TOILET BRUSH
				TYP.	TYPICAL
				U.S.C.T.	UANSBOT
				W.C.	WATER CLOSET
				W.P.	WATERPROOFING
				W.R.	WATER RESISTANT
				W.S.	WATER STOP
				WT.	WEIGHT
				W.W.F.	WELDED WIRE FABRIC
				W.	WOOD
				W.O.	WITHOUT
				W.D.W.	WINDOW
				W.G.	WIRED GLASS
				W.D.	WOOD
				W.B.	WOOD BASE
				W.P.T.	WORKING POINT

Order Plans @ WWW.LINDSEY-ARCHITECTURE.COM

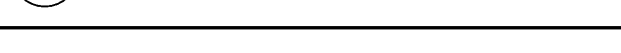
2 LIFE SAFETY PLAN
SCALE: 1/8"=1'-0"



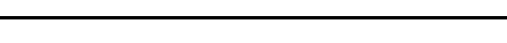
3 SYMBOLS LEGEND
NOT TO SCALE



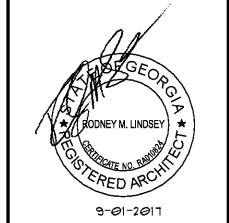
4 TYPICAL FIXTURE MOUNTING HEIGHTS
NOT TO SCALE



1 STANDARD ABBREVIATIONS
NOT TO SCALE



LINDSEY ARCHITECTURE
S. Elm Street, Suite 300
Greensboro, NC 27401
p. 336.617.4402
f. 336.617.4434
www.lindseyarchitecture.com



COOK OUT
155 Tom Hill Sr. Blvd
Macon GA 31210

NO.	DATE	DESCRIPTION

LIFE SAFETY PLAN, ABBREVIATIONS, SYMBOLS, & ADA CLEARANCES

DATE: 09-01-2011
DRAWN BY: XXX
CHECK BY: RML
JOB NO.: 17-061-000
SHEET:

A0.1