

AIR DEVICE SCHEDULE

MARK	SERVICE	MANUFACTURER MODEL ACCESSORIES	MOUNTING TYPE	FRAME TYPE STYLE
CAD	SUPPLY AIR	TITUS TMSA VDI, VD2	CEILING DIFFUSER	LAY-IN SQUARE 12.3.4.5.6.7
TAG	TRANSFER AIR	TITUS 50F	CEILING GRILLE	LAY-IN EGGRATE 12.3.4.5.6.7

ACCESSORIES:
 VDI VOLUME DAMPER AT DEVICE, CONCEALED KEY OPERATOR
 VD2 VOLUME DAMPER AT TAKEOFF DEVICE

NOTES:
 1. DEVICE SIZE SHALL BE AS SHOWN ON DRAWINGS. BALANCE TO CFM SHOWN.
 2. AIRFLOW PATTERN SHALL BE AS SHOWN ON DRAWINGS.
 3. BAKED ENVIRO-THERM #25 OFF-WHITE FINISH #4 BLACK FINISH (SALES ONLY).
 4. CONTRACTOR MUST SELECT SCHEDULED MATERIALS OR APPROVED EQUIVALENT.
 APPROVED MANUFACTURERS ARE: TITUS, CARNES, MEAL-AIRE, AND JAU.
 WHERE NOT INDICATED ON DRAWINGS, DUCT RUN-OUT TO MATCH DEVICE NECK SIZE.
 5. SUPPORT DEVICE INDEPENDENT OF DUCTWORK.
 6. SUSPEND FROM STRUCTURE WHERE NO CEILING IS INDICATED.

OUTSIDE AIR CALCULATIONS

OCCUPANT TYPE (RETAIL)	SPACE SF	PERSON PER 1000 SF	PEOPLE (Pz)	OSA CFM PER SF (Ra)	OSA CFM PER PERSON (Rp)	REQUIRED OSA (Voz)	PROVIDED OSA
SALES	1295	15	19	0.12	7.5	368	580
STORAGE	1933	1	19	0.12	0	209	

$R_p P_z + R_a A_z = V_{oz}$
 $(7.5 \times 19) + (0.12 \times 1295) = 204$
 $(0.12) + (0.12 \times 1933) = 167$

$V_{oz} / E_z = V_{ez}$
 $204 / 0.8 = 368$
 $167 / 0.8 = 209$

TENANT-FURNISHED ITEMS

ALL EQUIPMENT, LABOR, AND MATERIALS INDICATED ON THIS PAGE SHALL BE FURNISHED AND INSTALLED BY THE TENANT. THIS INCLUDES HVAC EQUIPMENT, CONTROLS, DUCTWORK, DAMPERS, AIR DEVICES, AND ALL ITEMS NECESSARY AND/OR REQUIRED FOR A COMPLETE AND OPERATIONAL SYSTEM.

SPLIT SYSTEM SCHEDULE

MARK	MANUF.	MODEL	FAN CFM/ EER	OSA (CFM)	COOLING CAPACITY TOTAL (MBH)	EER	ELECTRICAL DATA V/PH MCA MOCP	WEIGHT LBS	ACCESS. & NOTES
AHU-1	TRANE	TUE090D3	3000 / 0.71	500	95.0	14.2	200/3 6.6 15	323	A-F 1-4
CU-1	TRANE	TIA090G3	---	---	---	---	200/3 3.4 50	251	

ACCESSORIES:
 A. FILTER RACK CAPABLE OF HOLDING 2" FILTERS.
 B. ONE SET OF 2" FARR 30/30 PRE-FILTERS.
 C. STARTER DISCONNECT.
 D. DAMPER ACTUATOR.
 E. AUXILIARY DRAIN PAN W/ OVERFLOW SENSOR, CONFIGURE FOR VERTICAL APPLICATION IN FIELD.
 F. VIBRATION ISOLATORS.

NOTES:
 1. UNIT PERFORMANCE IS FOR ENTERING AIR CONDITIONS (80/67).
 2. INSTALL SMOKE DETECTOR IN THE SUPPLY DUCT AS REQUIRED BY LOCAL CODE.
 3. CONTRACTOR SHALL SELECT THE SCHEDULED UNIT OR A COMPARABLE UNIT OF CARRIER.
 4. COORDINATE ANY CONTROLS WITH LANDLORD SYSTEM, IF APPLICABLE.

HVAC LOAD SUMMARY

TENANT NAME	SPACE	APPROX. AREA (SQ. FT.)
Journeys	Space 1540 - Westland Mall - Hialeah, FL	2652

DESIGN CONDITIONS	DB 10%	WB 10%
SUMMER	90.4	71.4
WINTER	50.5	DB 95.0%
STORE TEMP.	75	DB

LOAD CALCULATIONS	SENS. COOLING (BTUH)	LATENT COOLING (BTUH)	TOTAL COOLING (BTUH)	HEATING (BTUH)
WALL	0	0	0	0
GLASS	0	0	0	0
ROOF	17261	0	17261	-4425
PEOPLE	51000	51000	102000	0
VENTILATION	9954	23197	33151	-15846
LIGHTING	19577	0	19577	0
MISC.	4526	0	4526	0
TOTAL	50418	28297	78715	-20271

MECHANICAL SYMBOLS

(SYMBOLS APPLY ONLY WHEN USED ON DRAWINGS)

	SQUARE CEILING SUPPLY AIR DIFFUSER
	RETURN OR EXHAUST AIR GRILLE
	AIR FLOW DIRECTION
	EXHAUST FAN
	THERMOSTAT / REMOTE SENSOR
	DUCT MOUNTED SMOKE DETECTOR
	BRANCH DUCT TAKEOFF W/ MAN. DAMPER
	FIRE DAMPER
	CROSS-SECTION SUPPLY AIR DUCT
	CROSS-SECTION RETURN AIR DUCT
	TURNING VANES
	FLEXIBLE CONNECTION
	FLEXIBLE DUCT
	RECTANGULAR MAN. BALANCING DAMPER
	ROUND MANUAL BALANCING DAMPER
	SPLITTER / DAMPER
	OUTSIDE AIR/RETURN AIR/SUPPLY AIR

GENERAL NOTES

A. COORDINATE WITH THE WORK OF OTHER SECTIONS, EQUIPMENT FURNISHED BY G.C. REQUIREMENTS OF THE OWNER, AND WITH THE CONSTRAINTS OF THE EXISTING CONDITIONS OF THE PROJECT SITE. PROVIDE DUCT RISERS AND DROPS AS REQUIRED FOR FIELD INSTALLATION AND TRADE.

B. DRAWINGS FOR HVAC WORK ARE DIAGRAMMATIC, SHOWING THE GENERAL LOCATION, TYPE, LAYOUT, AND EQUIPMENT REQUIRED. THE DRAWINGS SHALL NOT BE SCALED FOR EXACT MEASUREMENT. REFER TO ARCHITECTURAL DRAWINGS FOR DIMENSIONS. REFER TO MANUFACTURER'S STANDARD INSTALLATION DRAWINGS FOR EQUIPMENT CONNECTIONS AND INSTALLATION REQUIREMENTS. PROVIDE DUCTWORK, CONNECTIONS, ACCESSORIES, OFFSETS, AND MATERIALS NECESSARY FOR A COMPLETE SYSTEM.

C. ALL WORK SHALL COMPLY WITH STATE AND LOCAL CODE REQUIREMENTS AS APPROVED AND AMENDED BY THE AUTHORITY HAVING JURISDICTION. PURCHASE ALL MATERIALS ASSOCIATED WITH THE WORK. OBTAIN ALL INSPECTIONS REQUIRED BY CODE.

D. SCHEDULE BALANCE WITH THE LANDLORD'S FIELD REPRESENTATIVE. PROVIDE A COPY OF THE APPROVED TEST BALANCE REPORT TO THE LANDLORD.

HVAC NOTES

1. PROVIDE NEW VERTICAL FLOOR MOUNTED AIR HANDLER AND ROOFTOP CONDENSING UNIT IN APPROXIMATELY SAME LOCATION AS EXISTING UNITS BEING REMOVED. UTILIZE EXISTING CONDENSING UNIT DRAINAGE IF POSSIBLE. PROVIDE AND INSTALL HURRICANE STRAPS ON CONDENSING UNIT PER LOCAL CODES. BALANCE SUPPLY AIR FOR AHU-1 TO 3000 CFM, THE OUTSIDE AIR REQUIREMENT FOR THIS SPACE IS 580 CFM.

2. CONTRACTOR SHALL FIELD VERIFY ALL EXISTING CONDITIONS BEFORE SUBMITTING BID. ANY CHANGES REQUIRED DUE TO INCORRECT INFORMATION WILL BE THE CONTRACTOR'S RESPONSIBILITY.

3. EXISTING DUCTWORK MAY BE REUSED IF IN GOOD WORKING CONDITION AND NET FREE AREA EQUALS OR EXCEEDS THAT INDICATED ON DRAWINGS. CONSULT LISTED ENGINEER FOR QUESTIONABLE DUCTWORK SIZES.

4. ALL DUCT SIZES SHOWN ARE SHEET METAL SIZES AND ACCOUNT FOR INSULATION. INSULATE ALL ROUND DUCTS EXTERNALLY, EXCEPT EXHAUST DUCTS, WITH 2" FIBERGLASS INSULATION WITH VAPOR BARRIER. INSULATE ALL RECTANGULAR DUCT WITH 1" THICK, 1-1/2 LB. DENSITY DUCT LINER TAPE ALL JOINTS.

5. TYPICAL BRANCH FITTING DETAILS ARE APPLICABLE THROUGHOUT. RE: 2/M11.

6. REPLACE AND RECONNECT NEW 100 CFM EXHAUST AIR DEVICE (FAN/LIGHT COMBO), FIXTURE 'L' ON LIGHT FIXTURE SCHEDULE SHEET E11 WITH 6" DUCT TO EXISTING EXHAUST DUCTWORK. PROVIDE/VERIFY EXISTING BACK DRAFT DAMPER AS REQUIRED.

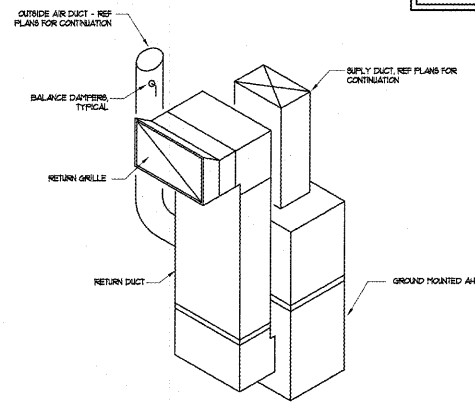
7. PROVIDE SEISMIC BRACING BASED ON APPROPRIATE SEISMIC ZONE REQUIREMENTS PER SMACNA PUBLISHED SEISMIC DETAILS, LOCAL AND NATIONAL CODES. CONTRACTOR'S RESPONSIBILITY INCLUDES STRUCTURAL ENGINEER'S CERTIFICATION ON DETAILS SUBMITTED FOR PERMITTING.

8. NEW SUPPLY AIR SENSOR REMOTE ROOM SENSOR AND E-STAT BY 'LIGHTSTAT', PROVIDED BY OWNER AND INSTALLED/WIRED BY MECHANICAL CONTRACTOR. INSTALL SUPPLY AIR SENSOR '88' IN SUPPLY AIR DUCT UPSTREAM OF ALL TAPS. LOCATE REMOTE ROOM SENSOR '85' AS SHOWN ON PLANS. DO NOT LOCATE NEAR NIGHTLIGHTS. CONTACT ARCHITECT IF SUITABLE LOCATION CANNOT BE FOUND. MOUNT 42" AFF. FOR ADA COMPLIANCE. E-STAT TO BE LOCATED IN BACKROOM AT NEAR NETWORK PANEL. VERIFY EXACT LOCATION WITH ELECTRICAL CONTRACTOR. RE: 2/M2.1.

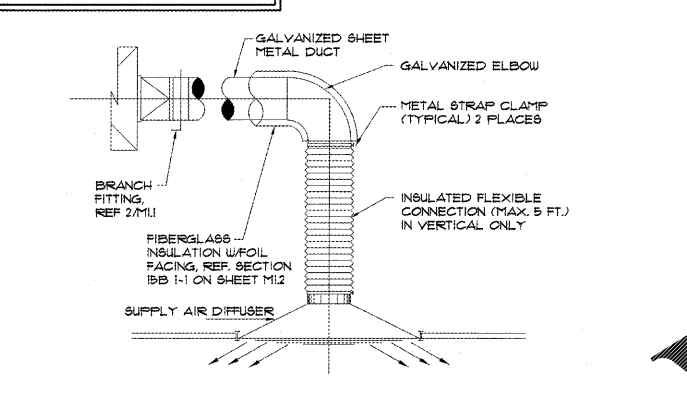
9. EXTEND AND CONNECT NEW 12" OUTSIDE AIR DUCT TO LANDLORD. PROVIDE OUTSIDE AIR DUCT STUBBED INTO SPACE. FIELD VERIFY EXACT LOCATION. BALANCE TO 500 CFM.

10. PROVIDE NEW CONDENSATE PUMP SIMILAR TO LITTLE GIANT 20" VCMX. ROUTE 3/4" COPPER PIPING UP AND SLOPE A MINIMUM OF 1/2"-'1' TO DISCHARGE LOCATION AS SHOWN ON PLANS.

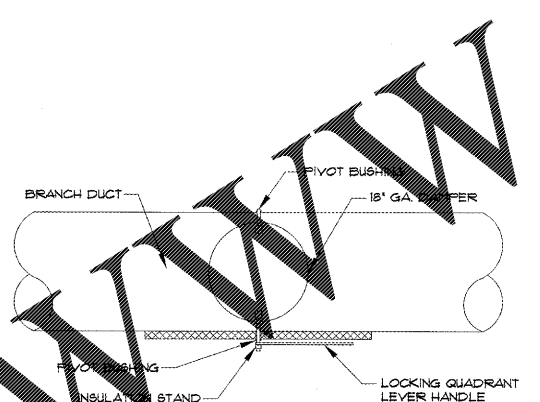
11. EXTEND RETURN AIR FLENUM FULL SIZE UP AND TERMINATE WITH 90-DEGREE BEND AND 1/2" WIRE MESH SCREENED OPENING.



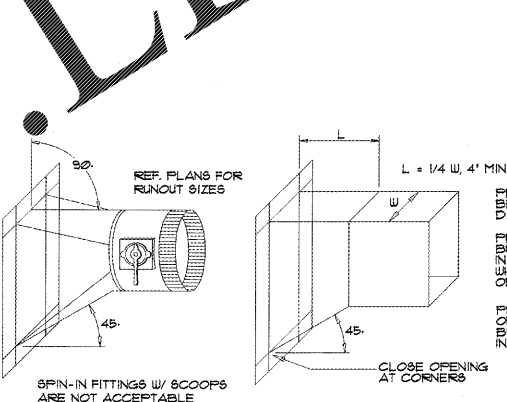
5 AHU DETAIL
NTS



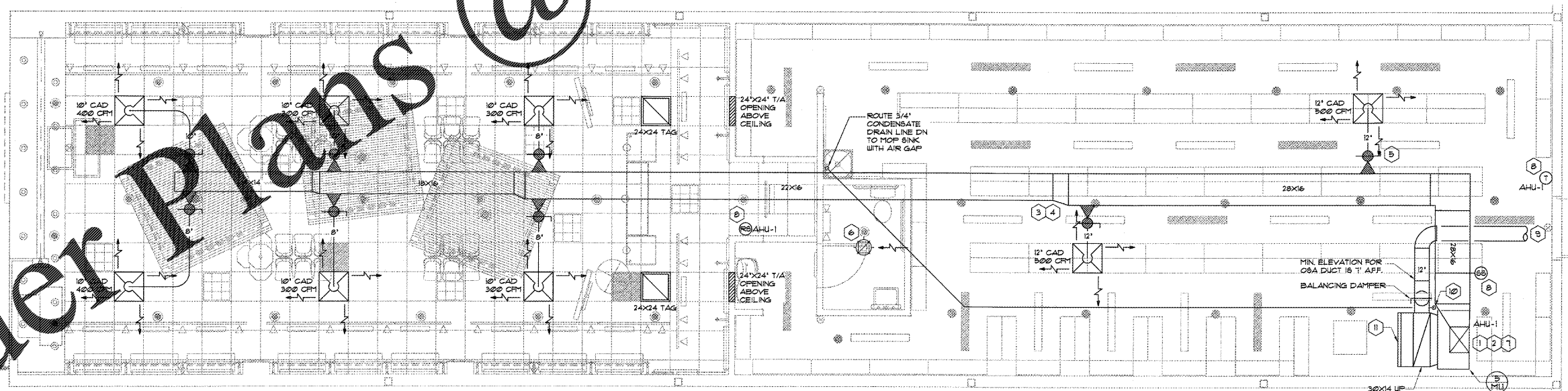
4 AIR DEVICE CONNECTION DETAIL
NTS



3 MANUAL DAMPER
NTS



2 BRANCH DUCT FITTING
NTS



1 HVAC PLAN
1/4" = 1'-0"

Order Plans @

WWW.LDMLIVE.COM

Architect:
 Kevin L. Cooper Architect
 316 South 1st Street
 Rogers, AR 72756
 (479) 633-8181 fax (479) 633-9204

Engineer/Other:
 CORE STATES GROUP
 1700 Industrial Dr.
 Rogers, AR 72756
 Phone (479) 988-4400
 Fax (479) 988-4401

Owner:
 GENESCO
 GENESCO CONSTRUCTION DIVISION
 GENESCO PARK, SUITE 604
 P.O. BOX 731
 NASHVILLE, TENNESSEE 37202-0731
 615-367-7003 FAX: 615-367-7845

Project:
 JOURNEYS

SPACE # 1540
 WESTLAND MALL
 HIALEAH, FLORIDA

Sheet Contents:
 MECHANICAL PLAN

Drawing Data:
 Drawn By: MRS
 Checked By: ASW
 Revisors:

Date: 09/08/2017

M1.1
 Copyright © 2017