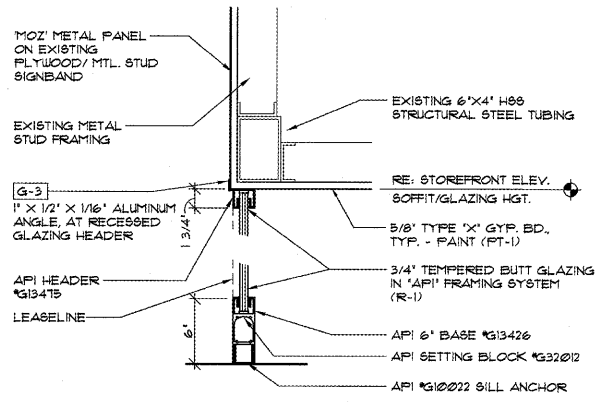
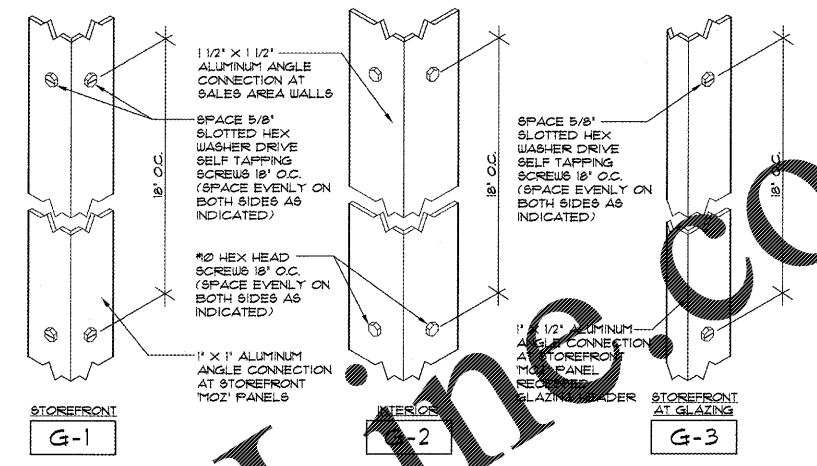


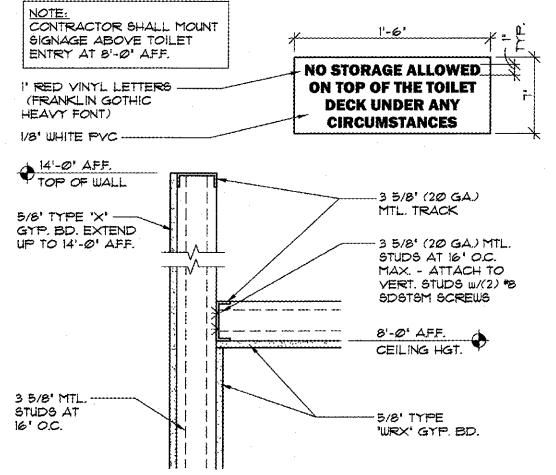
10 HEAD/JAMB DETAIL 3'-11\"/>



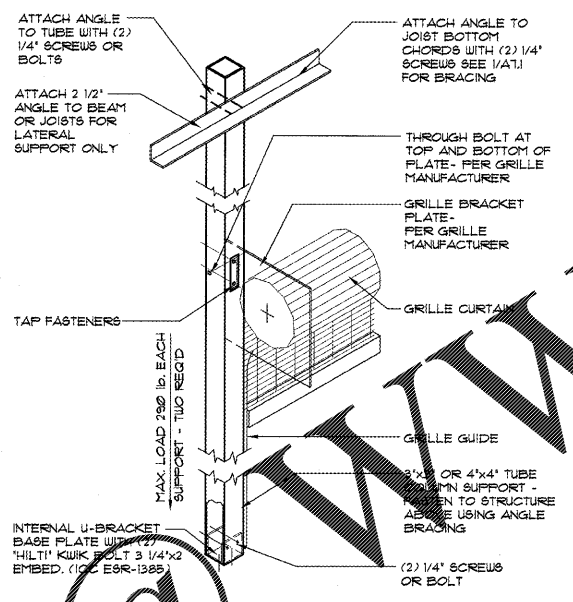
9 GLAZING DETAIL 1'-2\"/>



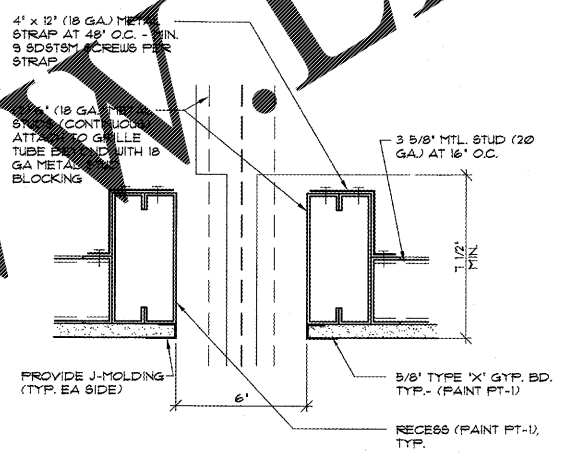
8 ALUMINUM ANGLE DETAIL NTS



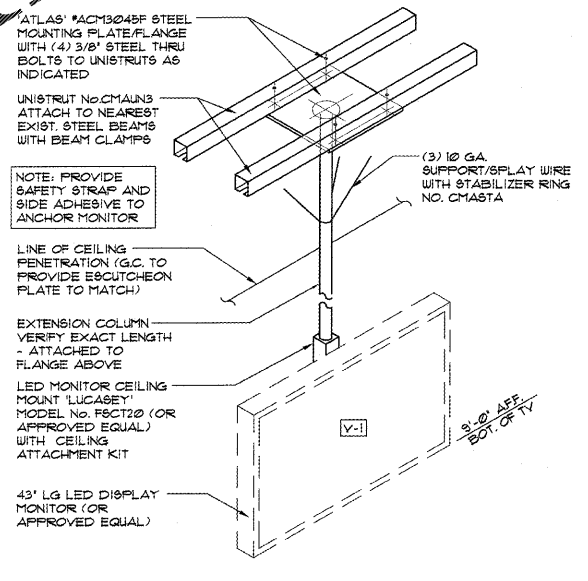
7 WALL SECTION AT TOILET 1'-2\"/>



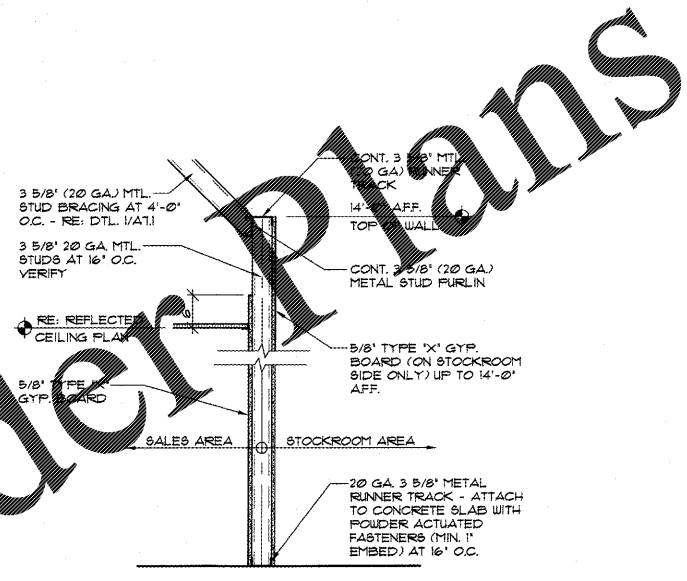
6 ROLL UP GRILLE SUPPORT DETAIL NTS



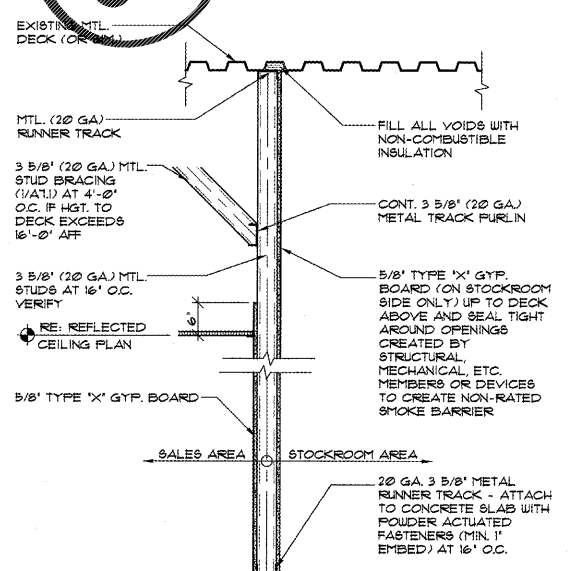
5 GRILLE RECESS 3'-11\"/>



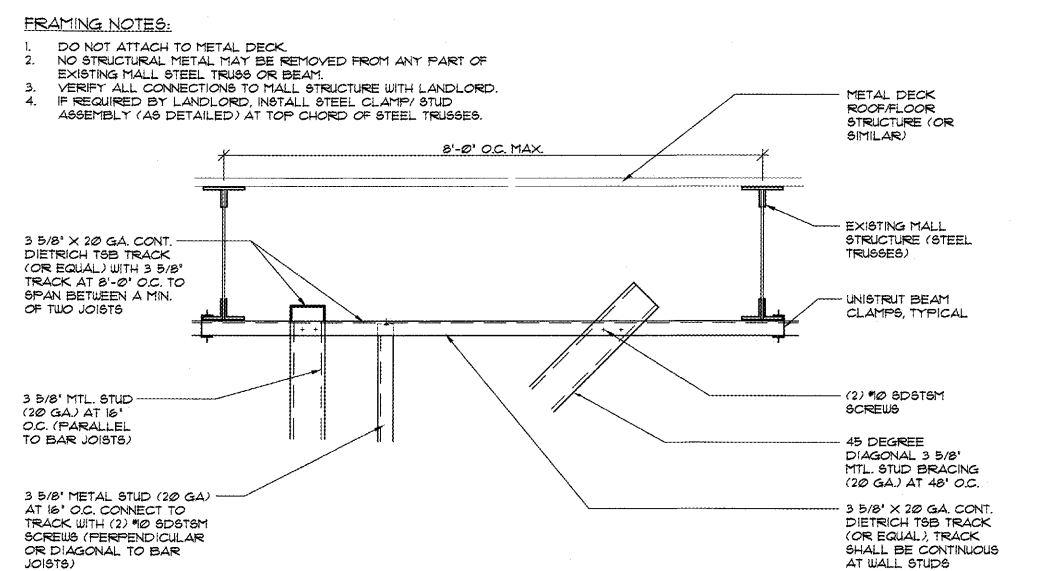
4 LED TV SUPPORT DETAIL NTS



3 STOCKROOM PARTITION SECTION 3'-4\"/>



2 STOCKROOM PARTITION SECTION 3'-4\"/>



1 TYPICAL WALL TO STRUCTURE CONNECTIONS NTS

- FRAMING NOTES:**
- DO NOT ATTACH TO METAL DECK.
 - NO STRUCTURAL METAL MAY BE REMOVED FROM ANY PART OF EXISTING MALL STEEL TRUSS OR BEAM.
 - VERIFY ALL CONNECTIONS TO MALL STRUCTURE WITH LANDLORD.
 - IF REQUIRED BY LANDLORD, INSTALL STEEL CLAMP/ STUD ASSEMBLY (AS DETAILED) AT TOP CHORD OF STEEL TRUSSES.

Order Plans

WWW.LDILLIN.COM

Architect:
 Kevin L. Cooper Architect
 FL LICENSE #AR-0017120
 316 South 1st Street
 Rogers, AR 72756
 (479) 633-8181 fax (479) 633-9204

Engineer/Other:

Owner:
GENESCO
 GENESCO CONSTRUCTION DIVISION
 GENESCO PARK, SUITE 604
 P.O. BOX 731
 NASHVILLE, TENNESSEE 37202-0731
 615-367-7539 FAX: 615-367-7845

Project:
JOURNEYS
 SPACE # 1540
 WESTLAND
 MALL
 HIALEAH,
 FLORIDA
 Sheet Contents:
 TYPICAL DETAILS

Drawing Data:
 Drawn By: JTW
 Checked By: KLC
 Revisions:

Dwg Name: GJO- 16-231.dwg
 Date: 09-08-17
 Sheet: 12 of 14

A7.1

Copyright © 2017