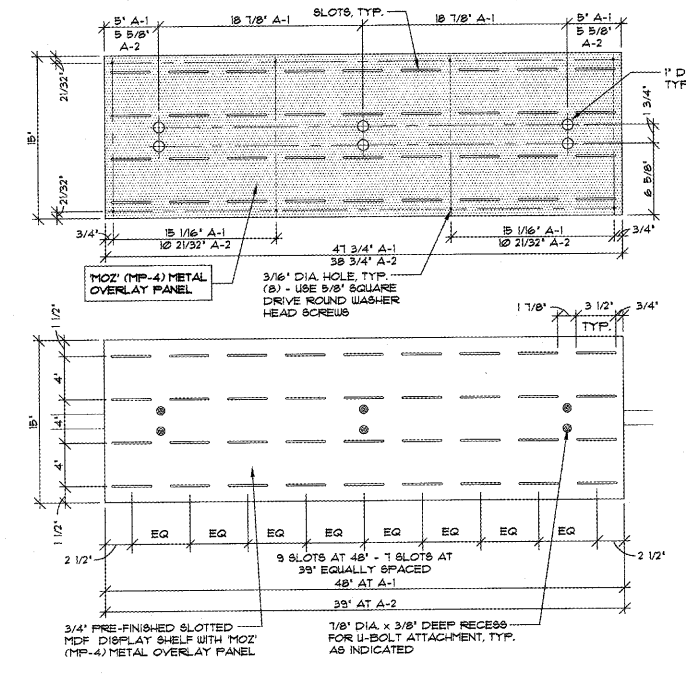
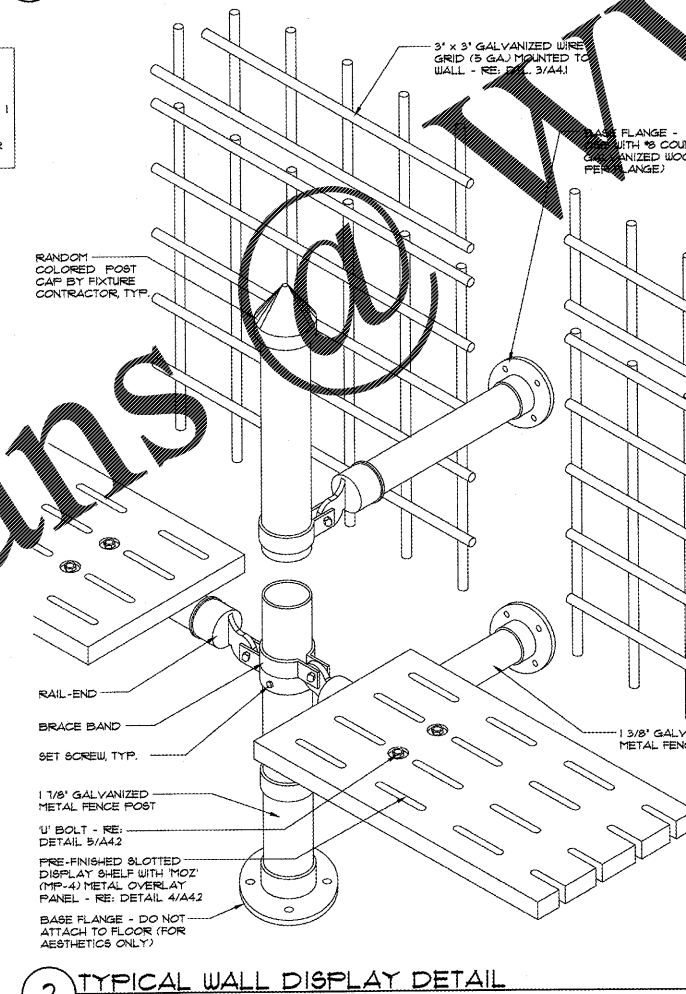


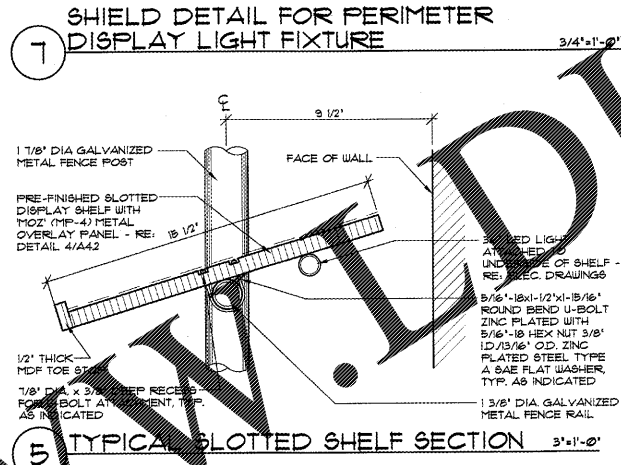
3 LED. LIGHTING UNDER SHELF DETAIL 3'-1'-0"



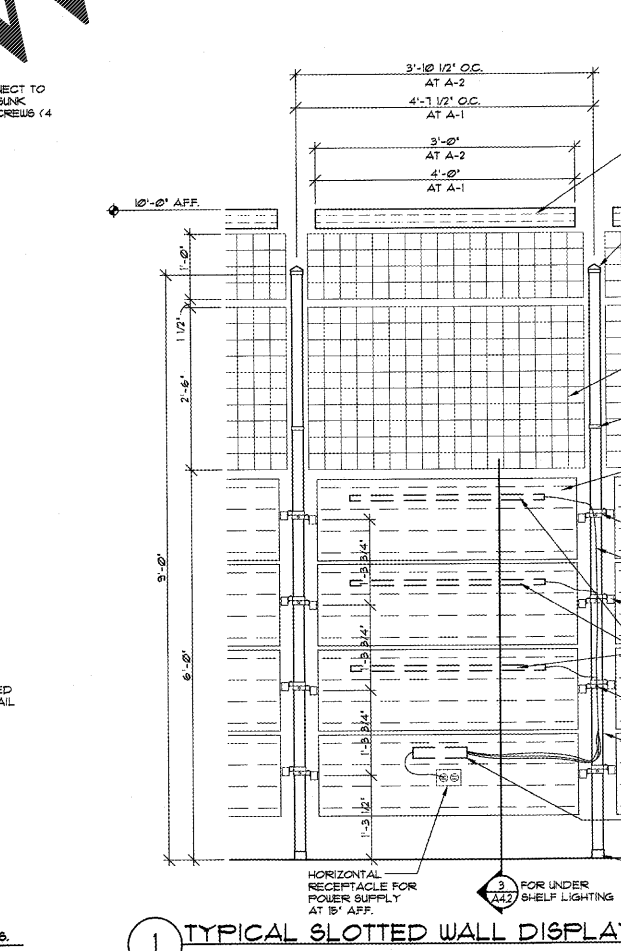
4 TYPICAL SLOTTED SHELF DETAIL 1 1/2'-1'-0"



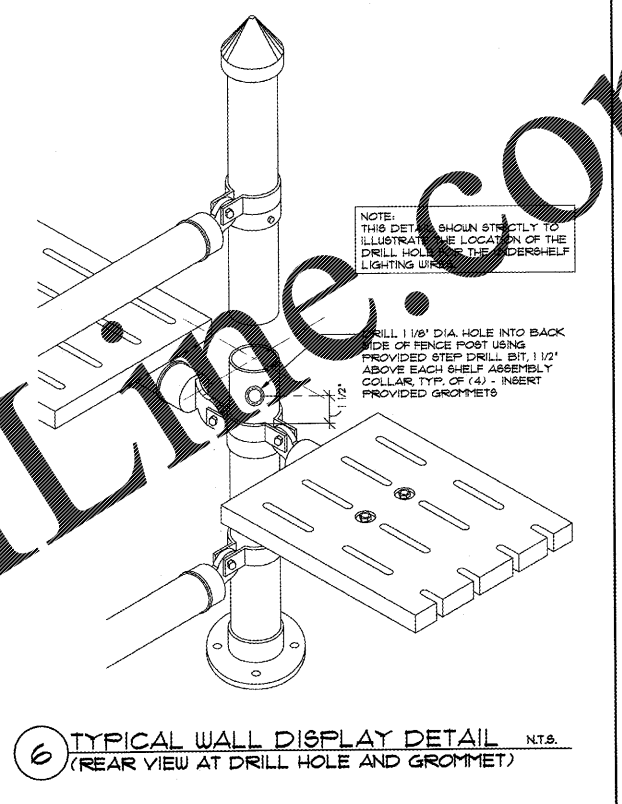
2 TYPICAL WALL DISPLAY DETAIL N.T.S.



7 SHIELD DETAIL FOR PERIMETER DISPLAY LIGHT FIXTURE 3'-1'-0"



1 TYPICAL SLOTTED WALL DISPLAY DETAIL 3'-1'-0"



6 TYPICAL WALL DISPLAY DETAIL (REAR VIEW AT DRILL HOLE AND GROMMET) N.T.S.

NOTE: LED LAMP IS DIRECTIONAL. INSTALL TO MANUFACTURER'S SPECIFICATIONS - RE: ELEC. DRAWINGS

10'-0" AFF. TOP OF LIGHT

FACE OF WALL STUD

1/2" O.S.B. UP TO 10'-0" AFF.

NOTE: LED TUBE SHOULD NOT BE VISIBLE FROM THE SALES AREA

NOTE: ALTERNATE ASSEMBLY: PROVIDE 6" WIDE 20 GA METAL STRIPS ATTACHED DIRECTLY TO METAL STUDS AT 16" O.C. HORIZONTAL ANCHOR WIRE GRID WITH #8 SDBTMS SCREWS AT 16" O.C. EACH WAY - START AT TOP

NOTE: ANCHOR WIRE GRID TO O.S.B./GYP. BD. WALL WITH #8-2 ANCHORS AND #8-1 1/4" STEEL SCREW AT 16" O.C. EACH WAY START AT TOP OF GRID

NOTE: THIS DETAIL SHOULD STRICTLY TO ILLUSTRATE THE LOCATION OF THE DRILL HOLE AND THE OVERSHELF LIGHTING WIRE

DRILL 1 1/8" DIA HOLE INTO BACK SIDE OF FENCE POST USING PROVIDED STEP DRILL BIT, 1 1/2" ABOVE EACH SHELF ASSEMBLY COLLAR, TYP. OF (4) - INSERT PROVIDED GROMMETS

Architect: Kevin L. Cooper Architect
 FL LICENSE #AR-0017120
 316 South 1st Street
 Rogers, AR 72756
 (479) 633-8181 fax (479) 633-9204

Engineer/Other:

Owner: GENESCO

GENESCO CONSTRUCTION DIVISION
 GENESCO PARK, SUITE 604
 P.O. BOX 731
 NASHVILLE, TENNESSEE 37202-0731
 615-367-7003 FAX: 615-367-7045

Project: JOURNEYS

SPACE # 1540
 WESTLAND MALL
 HIALEAH, FLORIDA

Sheet Contents: FIXTURE DETAILS

Drawing Data:

Drawn By: JTW
 Checked By: KLC
 Revisions:

Dwg Name: GJO-16-231p3.dwg
 Date: 09-08-17
 Sheet: 1 of 14

A4.2

Copyright © 2017

Order Plans

WWW.WORLDLINE.COM