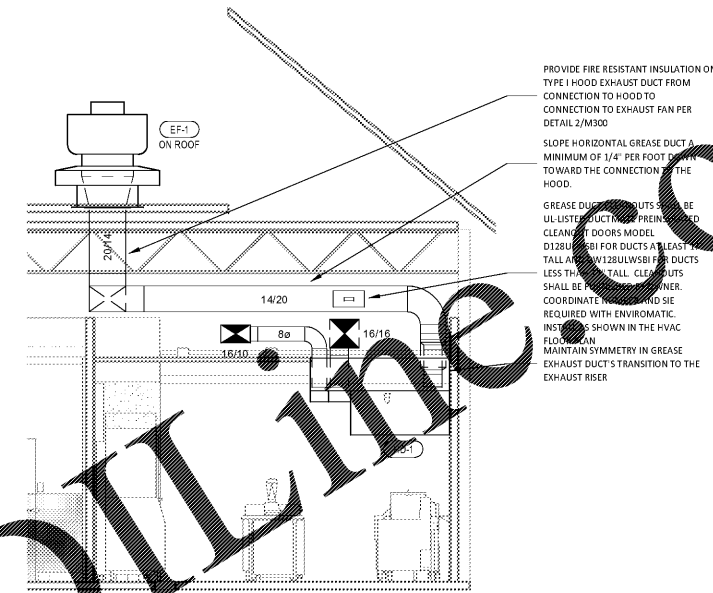
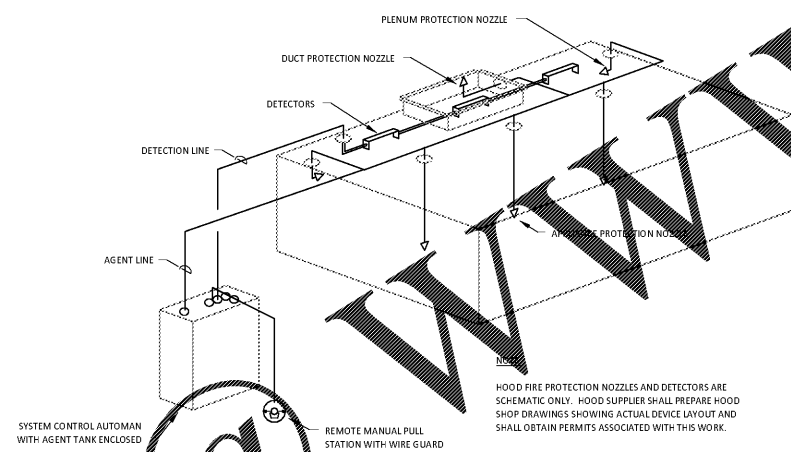


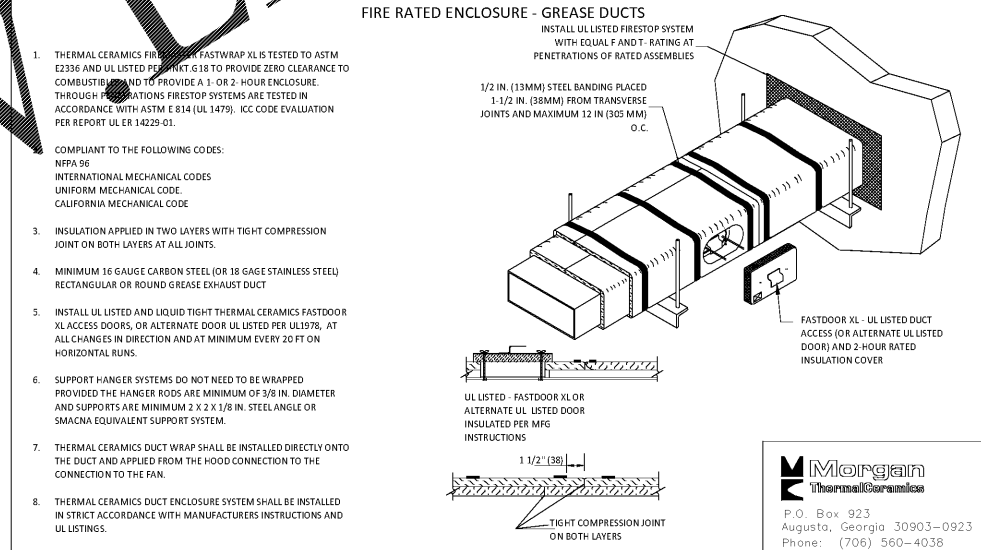
10
M300
N.T.S.
GREASE EXHAUST FAN



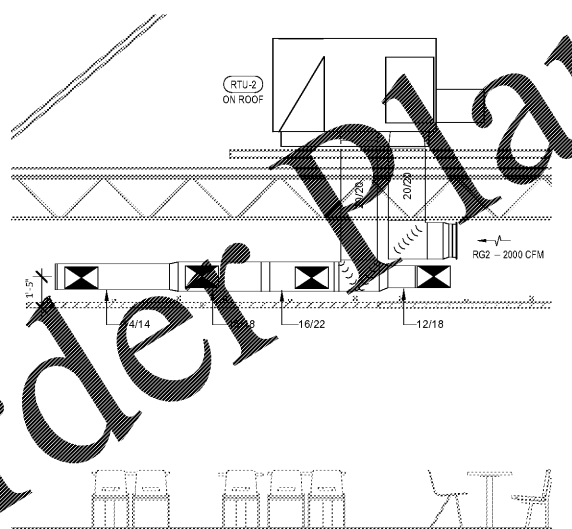
14/20
16/10
16/10
1/4" = 1'-0"
DUCT SECTION AT HOOD



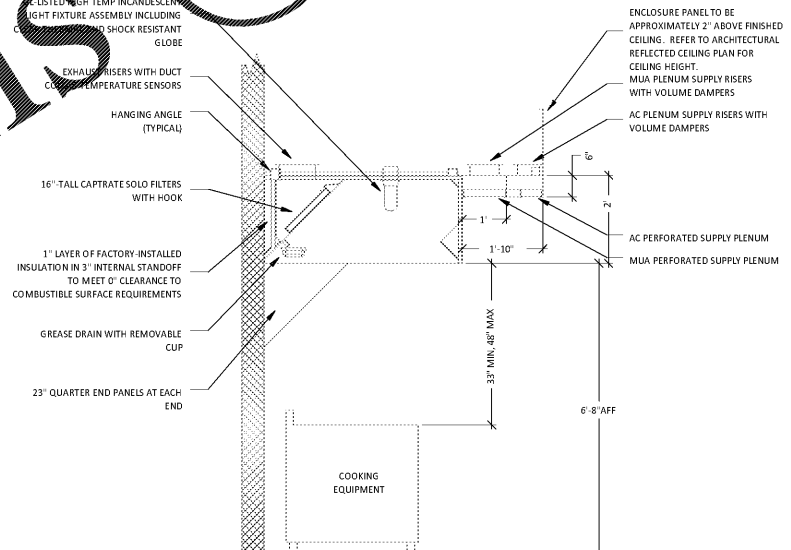
5
M300
FIRE SUPPRESSION SYSTEM SCHEMATIC



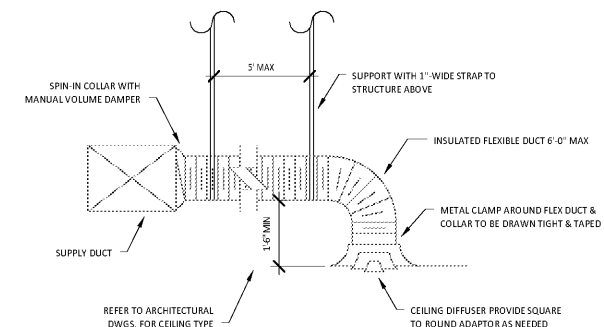
2
M300
N.T.S.
FIREMASTER DUCT WRAP - UL HNKT-G18



7
M300
N.T.S.
DINING ROOM HVAC SECTION



4
M300
N.T.S.
HOOD SECTION VIEW



1
M300
N.T.S.
DIFFUSER CONNECTION

Order Plans @

WWW.LDLINE.COM

NATIONAL ENGINEERING
788 Madison Road
Columbus, Ohio 43230
Phone: (614) 751-9610
Fax: (614) 552-5240
Contact: Mike Chapman
(614) 595-9543
mchapman@nationalengineering.com

COPYRIGHT 2017
THIS DRAWING IS AN INSTRUMENT OF SERVICE AND AS SUCH REMAINS THE PROPERTY OF CHIPOTLE MEXICAN GRILL, INC. PERMISSION FOR USE OF THIS DOCUMENT IS LIMITED AND CAN BE EXTENDED ONLY BY WRITTEN AGREEMENT WITH CHIPOTLE MEXICAN GRILL, INC.



STORE NO.: 3007
PURCELLVILLE
Berlin Turnpike and West Colonial
Highway
Purcellville, VA 20132

Morgan Thermal Ceramics
P.O. Box 923
Augusta, Georgia 30903-0923
Phone: (706) 560-4038

Issue Number:	12.19.2016	Permit Set
Drawn:		Checked:
FC		RTJ
Project No.:	1601065	
Contents:		

HVAC DETAILS

M300

Date of Last Print: 12.19.2016