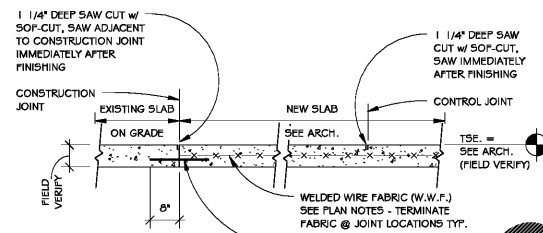
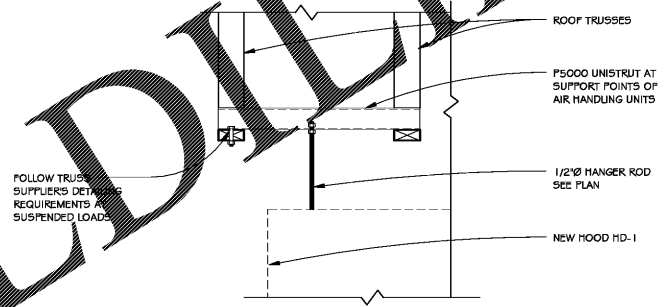


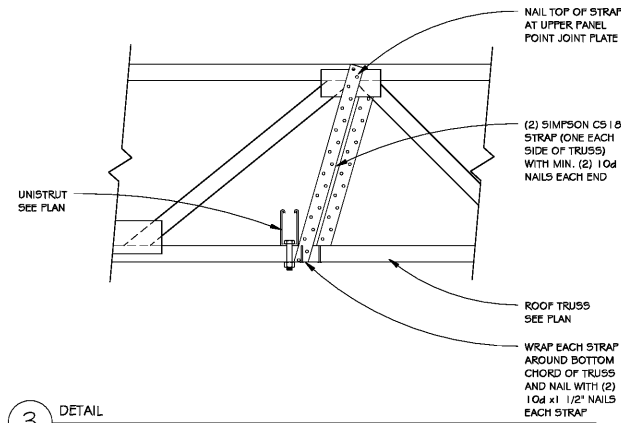
Order Plans @ www.LDOnline.com



1 TYPICAL CONTROL/CONSTRUCTION JOINT
1/2" = 1'-0"



2 SECTION
1" = 1'-0"



3 DETAIL
1/2" = 1'-0"

Consultant
A&T
Advanced Structural Technologies
7212 Metro Blvd
Minnetonka, MN 55439
(952) 854-9302 tel
www.asteng.com

PROPERTY OF ADVANCED STRUCTURAL TECHNOLOGIES
THIS DOCUMENT MAY NOT BE USED OR COPIED WITHOUT THE PRIOR WRITTEN CONSENT OF ADVANCED STRUCTURAL TECHNOLOGIES.



COPYRIGHT 2015
THIS DRAWING IS AN INSTRUMENT OF SERVICE AND AS SUCH REMAINS THE PROPERTY OF CHIPOTLE MEXICAN GRILL, INC. PERMISSION FOR USE OF THIS DOCUMENT IS LIMITED AND CAN BE EXTENDED ONLY BY WRITTEN AGREEMENT WITH CHIPOTLE MEXICAN GRILL, INC.



CHIPOTLE MEXICAN GRILL, INC.
140 WYNWOOD STREET, SUITE 300
DENVER, COLORADO 80202
TELEPHONE: (303) 595-4000
FAX: (303) 595-4004
INTERNET: WWW.CHIPOTLE.COM

STORE NO.: 3007
Purcellville
Berlin Turnpike and West Colonial
Highway
Purcellville, VA 20132

Date	Revised
12-19-16	Permit Set

Drawn: A. MAGER
Checked: E. LARSEN

Project No.
VA 1040

Contents
SECTIONS AND DETAILS

S200