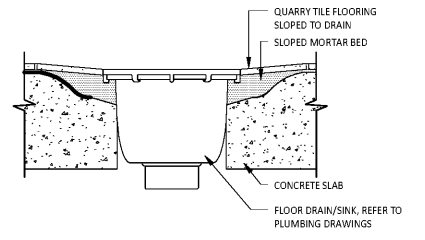
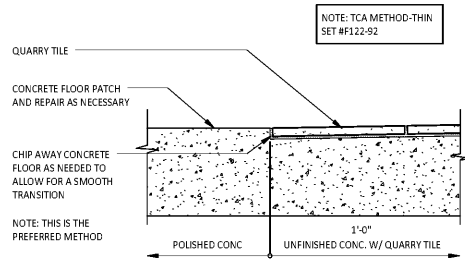


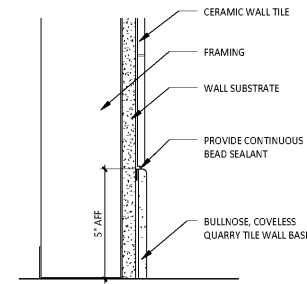
12
A125
WALK-OFF MAT DETAIL SURFACE MOUNTED
6" x 1'-0"



8
A125
TYPICAL QT FLOOR DRAIN/SINK DETAIL
1 1/2" x 1'-0"

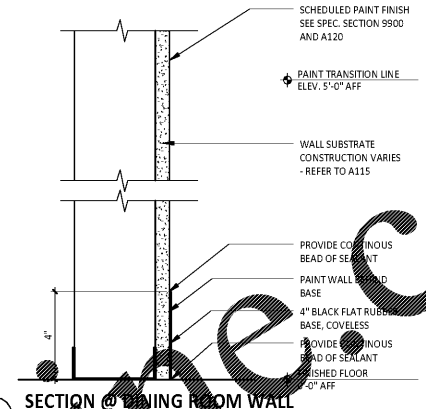


3
A125
SMOOTH FLOOR TRANSITION
3" x 1'-0"

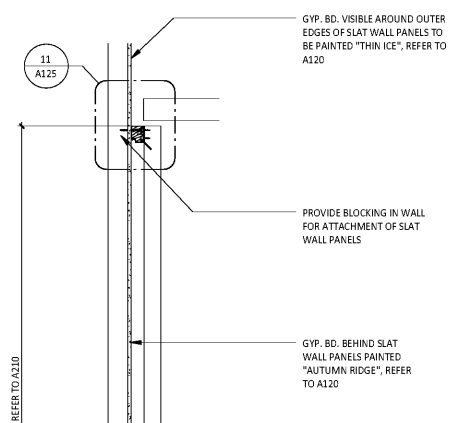


4B
A125
QT BASE @ CONCRETE
3" x 1'-0"

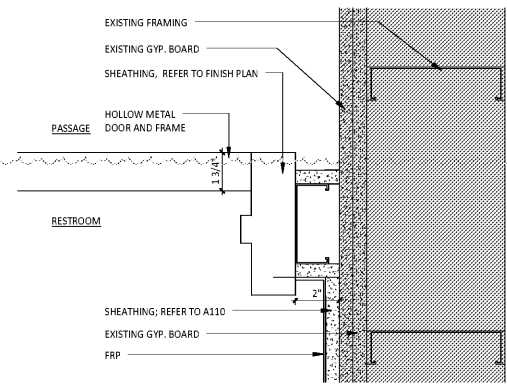
NOTE: ALL CONCEALED WOOD TO BE FRT RATED



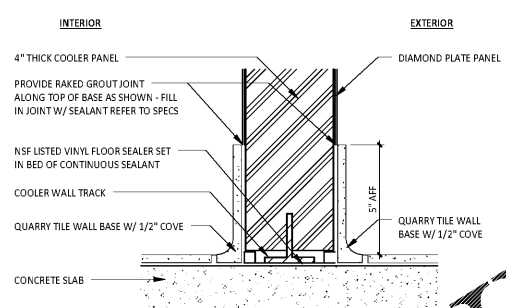
1
A125
SECTION @ TRAINING ROOM WALL
3" x 1'-0"



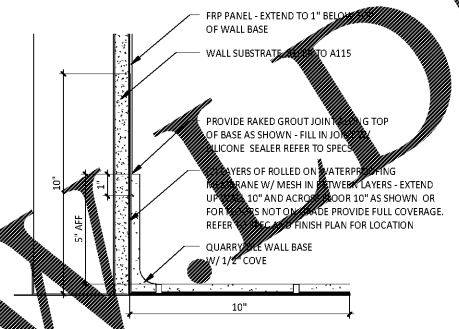
13
A125
TYP. SLAT WALL SECTION @ BANQUETTE
3/4" x 1'-0"



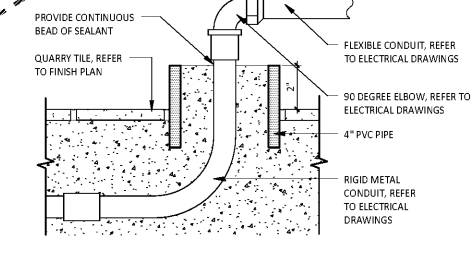
9
A125
DOOR JAMB - PLAN DETAIL
3" x 1'-0"



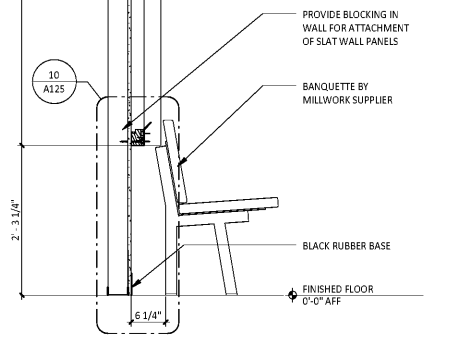
5
A125
COOLER WALL @ QT
3" x 1'-0"



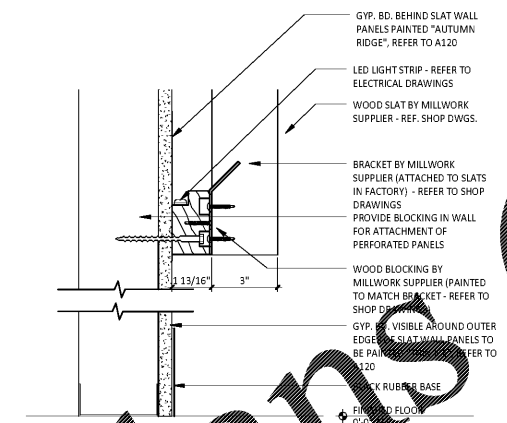
4C
A125
QT BASE @ FRP
3" x 1'-0"



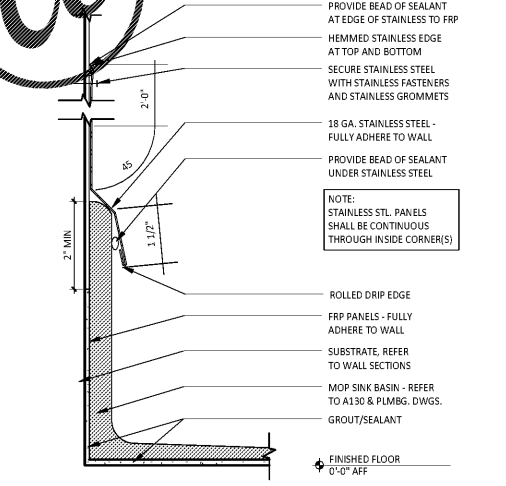
2
A125
STUB SECTION DETAIL UNDER TABLES
3" x 1'-0"



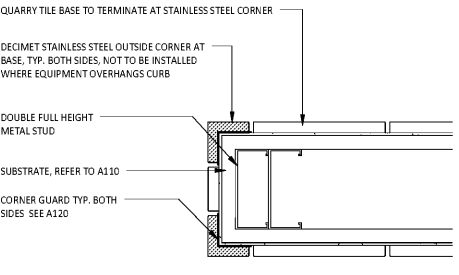
13
A125
TYP. SLAT WALL SECTION @ BANQUETTE
3/4" x 1'-0"



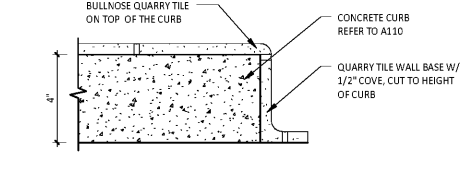
10
A125
DETAIL @ BOTTOM OF SLAT WALL
3" x 1'-0"



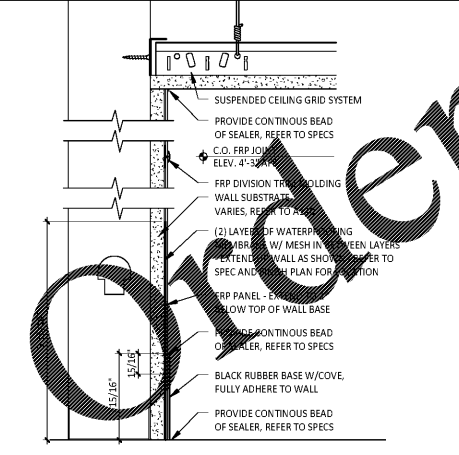
7
A125
SECTION @ MOP SINK
6" x 1'-0"



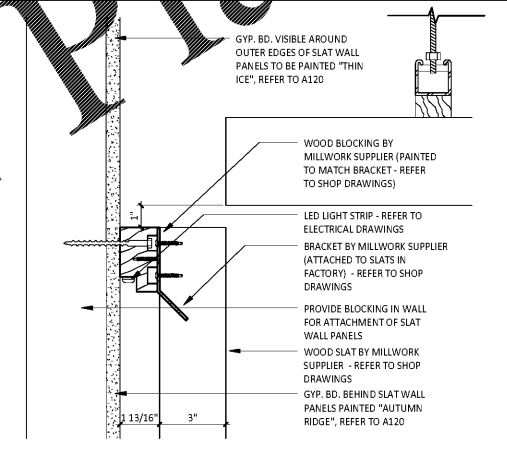
4D
A125
QT BASE - ENDCAP
3" x 1'-0"



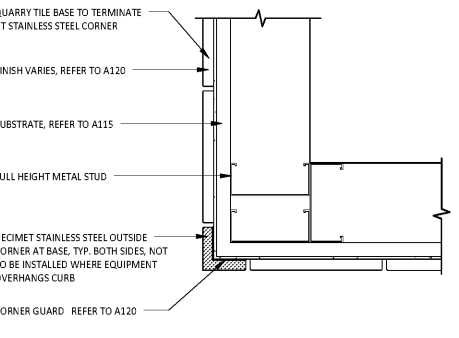
3
A125
QT @ CURB
3" x 1'-0"



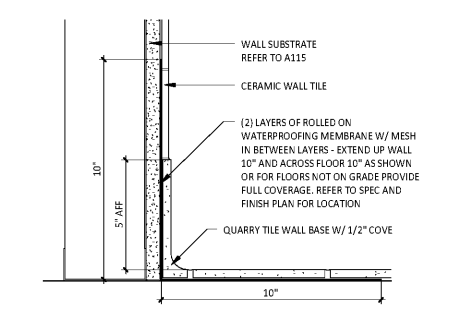
14
A125
SECTION @ FRP FULL HEIGHT W/ RUBBER BASE
3" x 1'-0"



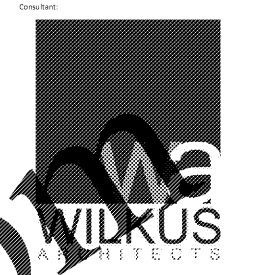
11
A125
DETAIL @ TOP OF SLAT WALL
3" x 1'-0"



4E
A125
QT BASE - OUTSIDE CORNER
3" x 1'-0"



4A
A125
QT BASE @ CERAMIC TILE
3" x 1'-0"



15. North American Blvd., Arlington, VA 22203
Phone: 952.944.1866 / www.wilkusarch.com

EXPIRES 12-31-17
SIGNATURE
30 August, 2017
DATE

COPYRIGHT 2015
THIS DRAWING IS AN INSTRUMENT OF SERVICE AND AS SUCH REMAINS THE PROPERTY OF CHIPOTLE MEXICAN GRILL, INC. PERMISSION FOR USE OF THIS DOCUMENT IS LIMITED AND CAN BE EXTENDED ONLY BY WRITTEN AGREEMENT WITH CHIPOTLE MEXICAN GRILL, INC.



CHIPOTLE MEXICAN GRILL, INC.
1410 WYNDGROVE STREET, SUITE 500
DENVER, COLORADO 80202
TELEPHONE: (303) 595-4000
FAX: (303) 595-4004
INTERNET: WWW.CHIPOTLE.COM

STORE NO.: 3007
Purcellville
1200 Wolf Rock Drive, Suite 130
Purcellville, VA 20132

Issue Number	Permit Set
12-15-16	Permit Set

Revisions	OWNER COMMENTS	CHIPOTLE COMMENTS
03-06-17	OWNER COMMENTS	
08-23-17	CHIPOTLE COMMENTS	

Drawn: D. Austin
Checked: M. Wilkus
Project No: 2016-0424

Contents:
Finish Details

A125