

DOOR HARDWARE

*GENERAL NOTES: ALL INTERIOR H.M. DOORS & FRAMES SHALL BE SHOP PRIMED & PAINTED "VICTORIAN PEWTER" U.N.O.; NO SUBSTITUTIONS ALLOWED FOR THE SPECIFIED DOOR HARDWARE; REFER TO SPECS. FOR ADDITIONAL INFORMATION - TYP.; REFER TO SHEET A002 FOR ACCESSIBILITY COMPONENTS

1 MAIN ENTRY - PAIR

DOOR: EXISTING
FRAME: EXISTING

HARDWARE:

MAIN ENTRY - WOOD PULL/PUSH

(3)	HINGE	HAGER, MODEL 780-224HD-96" (SIZE 8'-0")
(3)	MORTISE CYLINDER	SCHLAGE, MODEL 80-103, BRUSHED CHROME; C.O. CYLINDER AT 34" MIN. FROM BOTTOM OF DOOR
(3)	TEMP CORE	SCHLAGE, MODEL 80-035 INTERCHANGEABLE CORE (BRUSHED CHROME)
(1)	PULL HARDWARE	1 1/2" DIAMETER WOOD PULL, VARIES HIGH - PROVIDED BY MILLWORK SUPPLIER. MOUNT TOP OF PULLS FLUSH WITH TOP OF GLAZING STOP IN DOOR, RE: SHOP DRAWINGS
(3)	DEADBOLT	ADAMS RITE, MODEL M518505-310-628
(3)	EXIT INDICATOR	ADAMS RITE, MODEL 4059-00-130
(3)	HEADER BOLT	ADAMS RITE, MODEL 4016
(3)	THRESHOLD BOLT	ADAMS RITE, MODEL 4015
(1)	CLOSER	DORMA, MODEL 8916-AR89P (TOP JAMB), (ALUMINUM)
(3)	DOOR STOP	IVES, MODEL F5185 (ALUMINUM)
(3)	OVERHEAD STOP	GLYNN-JOHNSON, MODEL GL450 (4545 630) (ALUMINUM)
(3)	CLOSER BACK PLATE	DORMA, MODEL 8P89, ALUMINUM
(3)	THRESHOLD	REESE, MODEL S239A-36 (SIZE 36")
(1)	SMOKE SEAL	REESE, MODEL F-7978-21
(1)	DOOR SWEEP	PEMCO, MODEL SF5C-200-36 (36" DOOR), OWNER FURNISHED

*NOTE: NO EXTERIOR HOLE OR CYLINDER
*NOTE: G.C. MAY REUSE EXISTING HARDWARE WITH PERMISSION OF CHIPOTLE C.M.
*NOTE: REFER TO A117 FOR PLACEMENT OF DOOR SIGNAGE

2 SECONDARY EXIT - SINGLE LEAF

DOOR: EXISTING
FRAME: EXISTING STOREFRONT

HARDWARE:

SET 2A - ENTRY - SINGLE - NON-OFFSET - PANIC HARDWARE

(3)	HINGE	HAGER, MODEL 780-224HD-96" (SIZE 8'-0")
(3)	PUSH HARDWARE	ADAMS RITE, MODEL 8802-36 (ALUMINUM FINISH, 36" DOOR); C.O. EXIT DEVICE AT 38" FROM BOTTOM OF DOOR
(3)	PULL HARDWARE	HIAWATHA, MODEL 5358 (8" OVERALL)
(3)	CLOSER	DORMA, MODEL 8916-AR89P (TOP JAMB), (ALUMINUM)
(3)	CLOSER BACK PLATE	DORMA, MODEL 8P89, ALUMINUM
(3)	OVERHEAD STOP	GLYNN-JOHNSON, MODEL GL450 (4545 630) (ALUMINUM)
(3)	THRESHOLD	REESE, MODEL S424A-36 (SIZE 36")
(3)	SMOKE SEAL	REESE, MODEL F-7978-21
(1)	DOOR SWEEP	PEMCO, MODEL SF5C-200-36 (36" DOOR), OWNER FURNISHED
(1)	DOOR STOP	IVES, MODEL F5185 (ALUMINUM)

*NOTE: NO EXTERIOR HOLE OR CYLINDER
*NOTE: G.C. MAY REUSE EXISTING HARDWARE WITH PERMISSION OF CHIPOTLE C.M.
*NOTE: REFER TO A117 FOR PLACEMENT OF DOOR SIGNAGE

3 KITCHEN SERVICE DOOR - SINGLE LEAF

DOOR: EXISTING
FRAME: EXISTING

HARDWARE:

SET 3 - REAR EXIT - SINGLE

(3)	HINGE	HAGER, MODEL 780-224HD-96" (SIZE 7'-0")
(3)	PUSH HARDWARE	FALCON, MODEL 1945-880-06A
(3)	PULL HARDWARE	MONARCH, MODEL DANE, ALUMINUM (EXTERIOR SIDE)
(3)	RIM CYLINDER	GLS, MODEL R01C-7-LZ-626
(3)	TEMP CORE	SCHLAGE, MODEL 80-035 INTERCHANGEABLE CORE (FINISH: BRUSHED CHROME)
(3)	CLOSER	DORMA, MODEL 8916-AR89P (TOP JAMB), ALUMINUM
(3)	CLOSER BACK PLATE	DORMA, MODEL 8P89, ALUMINUM
(3)	THRESHOLD	REESE, MODEL S239A-42, (SIZE 42")
(3)	WEATHERSTRIP	REESE, MODEL D575C-204, (SIZE 21")
(1)	DOOR SWEEP	PEMCO, MODEL SF5C-200-42 (42" DOOR) (BLACK) OWNER FURNISHED
(3)	DOOR VIEWER	IVES, MODEL U698-26D, C.O. VIEWER AT 60" FROM BOTTOM OF DOOR
(3)	EXIT ALARM	TRINE, MODEL 206-3
(3)	DOOR SILENCERS	IVES, MODEL SR64
(3)	DOOR BUZZER	TRINE, MODEL 233
(3)	KICKPLATE	HIAWATHA, MODEL KP834-US32D

*NOTE: G.C. MAY REUSE EXISTING HARDWARE WITH PERMISSION OF CHIPOTLE C.M.
*NOTE: REFER TO A117 FOR PLACEMENT OF DOOR SIGNAGE

4 OFFICE - SINGLE LEAF

DOOR: TYPE 3 - NEW
FRAME: TYPE 1 - NEW

HARDWARE:

SET 4 - MANAGER'S OFFICE

(3)	HINGE	STANLEY, MODEL F88179-26D (SIZE 4-1/2" X 4-1/2")
(3)	LOCKSET	SCHLAGE, MODEL L945-880-06A
(3)	TEMP CORE	SCHLAGE, MODEL 80-035 INTERCHANGEABLE CORE (FINISH: BRUSHED CHROME)
(3)	KICKPLATE	HIAWATHA, MODEL KP834-32D
(3)	DOOR STOP	DON-JO, MODEL 1407-630, STAINLESS STEEL
(3)	DOOR SILENCERS	IVES, MODEL SR64
(3)	SECURITY WINDOW	AIR LOUVERS, MODEL VSL1212TEMPPAK SLIMLINE 12" X 12" X 1/4" LITE KIT (10" X 10" GLASS VISIBLE)

5 SINGLE OCCUPANT MEN'S ROOM - SINGLE LEAF

DOOR: TYPE 5 - NEW
FRAME: TYPE 1 - NEW

HARDWARE:

SET 5 - WOMEN'S RESTROOM - SINGLE OCCUPANT - STANDARD

(3)	HINGE	STANLEY, MODEL F88179-26D (SIZE 4-1/2" X 4-1/2")
(3)	CLOSER	FALCON, MODEL: SC61
(3)	LOCKSET	SCHLAGE, MODEL AL405 SAT 626
(3)	DOOR STOP	IVES FS436
(3)	DOOR SILENCERS	IVES, MODEL SR64
(2)	KICKPLATE	HIAWATHA, MODEL KP834-32D
(3)	COAT HOOK	MILLS, MODEL FT6519, SUPPLIED BY WASHROOM ACCESSORIES VENDOR, MOUNT T.O. HOOK AT 47 1/2" AFF

6 SINGLE OCCUPANT WOMEN'S ROOM - SINGLE LEAF

DOOR: TYPE 5 - NEW
FRAME: TYPE 1 - NEW

HARDWARE:

SET 6 - MEN'S RESTROOM - SINGLE OCCUPANT - STANDARD

(3)	HINGE	STANLEY, MODEL F88179-26D (SIZE 4-1/2" X 4-1/2")
(3)	CLOSER	FALCON, MODEL: SC61
(3)	LOCKSET	SCHLAGE, MODEL AL405 SAT 626
(3)	DOOR STOP	IVES FS436
(3)	DOOR SILENCERS	IVES, MODEL SR64
(2)	KICKPLATE	HIAWATHA, MODEL KP834-32D
(3)	COAT HOOK	MILLS, MODEL FT6519, SUPPLIED BY WASHROOM ACCESSORIES VENDOR, MOUNT T.O. HOOK AT 47 1/2" AFF

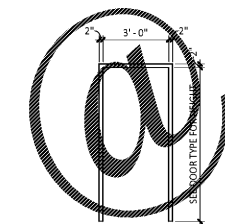
DOOR NOTES

- ALL EGRESS DOORS SHALL BE READILY OPENABLE FROM THE EGRESS SIDE WITHOUT THE USE OF A KEY OR SPECIAL KNOWLEDGE OR EFFORT.
- LATCHES, HANDLES, PANIC BARS AND ALL DOOR HARDWARE WILL COMPLY WITH SECTION 7.2 OF NFPA 101 PER THE SPECIFICATIONS.
- THE MANAGER HAS A KEY TO UNLOCK RESTROOM DOORS, FROM THE OUTSIDE IN CASE OF AN EMERGENCY.
- ALL DOORS TO REMAIN UNLOCKED DURING BUSINESS HOURS.
- SEE THIS SHEET FOR EXTERIOR DOOR SIGNAGE INFO.
- ALL FRAMES, DOORS AND HARDWARE ARE READILY AVAILABLE FROM CHIPOTLE'S HARDWARE SPECIFIER. CALL PETE KLIMEK WITH TWIN CITY HARDWARE AT 763-935-4666.
- MAXIMUM EFFORT TO OPERATE EXTERIOR OR INTERIOR DOORS WITH CLOSERS SHALL NOT EXCEED 5 POUNDS. THIS MAY BE INCREASED TO 15 POUNDS FOR FIRE-RATED DOORS.
- THE BOTTOM 10 INCHES OF ALL DOORS SHALL HAVE A SMOOTH, UNINTERRUPTED SURFACE TO ALLOW THE DOOR TO BE OPENED BY A WHEELCHAIR FOOTREST WITHOUT CREATING A TRAP OR HAZARDOUS CONDITION.
- ALL SUPPORT SIGNAGE PROVIDED BY TENANT'S SUPPORT SIGNAGE SUPPLIER.
- ALL SUPPORT SIGNAGE INSTALLED BY G.C.

REMARK NOTES

DOORS WITH REMARK #1 TO BE KEPT THE SAME
EXIT INDICATOR ARRIVES WITH SIGNS STATING "THIS DOOR TO REMAIN UNLOCKED DURING BUSINESS HOURS" AND "THIS DOOR TO REMAIN UNLOCKED WHEN THE BUILDING IS OCCUPIED". VERIFY REQUIRED SIGN WORDING WITH LOCAL JURISDICTION PRIOR TO INSTALLATION. ONE SIGN IS TO BE PLACED IN A VISIBLE LOCATION ABOVE THE DOORS.
THERE IS TO BE NO EXTERIOR HOLE OR CYLINDER
USE NON-SHRINK STRUCTURAL GROUT BED UNDER THRESHOLD
BLACK DOOR SWEEP TO BE USED WITH CHARCOAL STOREFRONT. LIGHT GRAY DOOR SWEEP TO BE USED WITH CLEAR ANODIZED ALUMINUM STOREFRONT
IF STATUS IS "EXISTING" G.C. TO DETERMINE CONDITION OF EXISTING HARDWARE. IF HARDWARE IS IN POOR CONDITION, PROVIDE HARDWARE IN HARDWARE SCHEDULE. CONFIRM REPLACEMENT WITH CHIPOTLE C.M.

DOOR FRAME TYPES

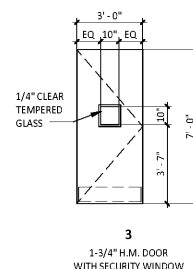


1 WELDED H.M. FRAME W/ 1/2" STOPS

DOOR TYPES

1 NOT USED

2 NOT USED

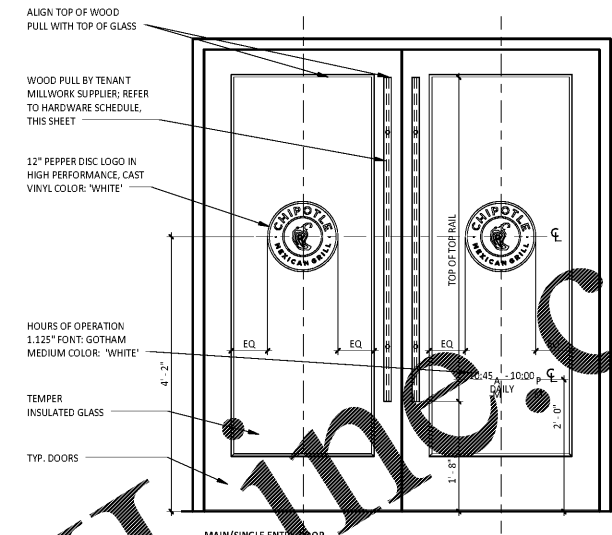


3 1-3/4" H.M. DOOR WITH SECURITY WINDOW

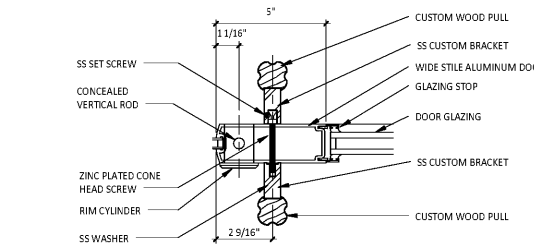
4 NOT USED



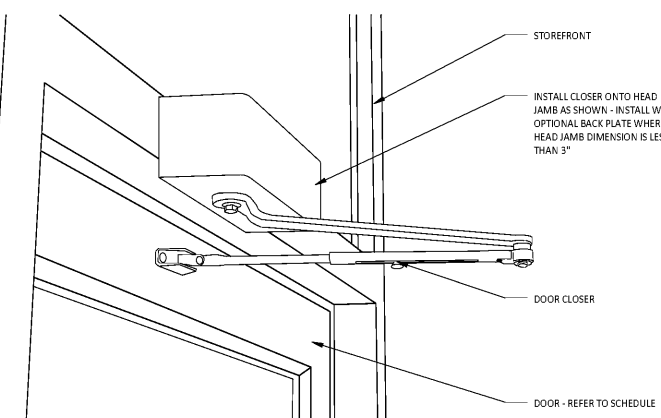
5 1-3/4" H.M. DOOR (PROVIDE 5/8" UNDERCUT @ DOORS 5' & 6')



TYPICAL EXTERIOR DOOR TYPES



CUSTOM WOOD PULL



TOP JAMB MOUNT INSTALLATION. (NOTE THAT BACKPLATE IS MISSING IN THIS INSTALLATION BECAUSE HEAD JAMB IS OF ADEQUATE HEIGHT TO RECEIVE ALL MOUNTING SCREWS WITHOUT IT.) WHEN IN DOUBT ABOUT THE HEAD JAMB DIMENSION OR STABILITY, ORDER THE BACKPLATE.



15. 18th Avenue North, 18gloves, MN 55343
Phone: 952.944.1860 | www.wilkusarch.com

EXPIRES 12-31-17
SIGNATURE
30 August, 2017
DATE

COPYRIGHT 2013
THIS DRAWING IS AN INSTRUMENT OF SERVICE AND AS SUCH REMAINS THE PROPERTY OF CHIPOTLE MEXICAN GRILL, INC. PERMISSION FOR USE OF THIS DOCUMENT IS LIMITED AND CAN BE EXTENDED ONLY BY WRITTEN AGREEMENT WITH CHIPOTLE MEXICAN GRILL, INC.



STORE NO.: 3007
Purcellville
1200 Wolf Rock Drive, Suite 130
Purcellville, VA 20132

Issue Record	12-15-16	Permit Set
Revisions	03-06-17	OWNER COMMENTS
	08-23-17	CHIPOTLE COMMENTS

Drawn: D. Austin
Checked: M. Wilkus
Project No: 2016-0424

Door & Hardware
Schedule / Details

A117