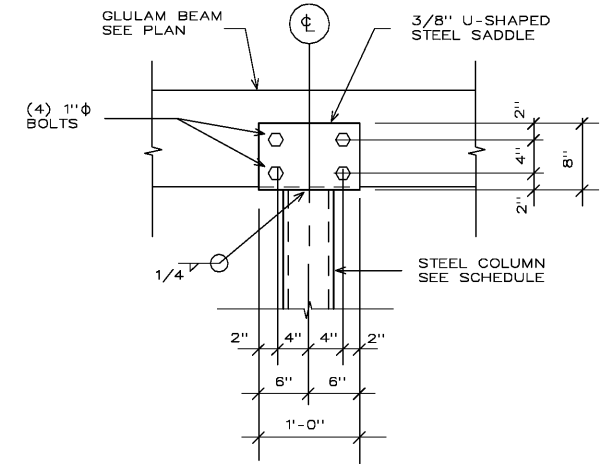


ROOF FRAMING PLAN

NOTES:

1. BEAMS ARE GLULAM 16F V2. Fb = 1600 psi Fv = 500 psi
2. DECK 2" TONGUE AND GROOVE WOOD DECK (2" SPAN MINIMUM) W/ 16d NAILS TO NAILED.
3. TRUSSES SHALL BE ANCHORED TO BEAMS WITH (2) H2.5A SIMPSON HURRICANE STRAPS PER TRUSS (1 EACH SIDE)
4. SEE SCHEDULE A3.1 FOR DESIRED TRUSS APPEARANCE WITH DECORATIVE STEEL PLATES & EXPOSED BOLTS.
5. NO. 1 TRUSS ALTERNATE IN OUTLINE SPECS ON A3.1. USE BID TO BE WRAPPED PAIR OF STANDARD TRUSSES AND ALTERNATE #1 USING TimberStrand OR EQUAL FOR TRUSS MEMBERS.

$3/16" = 1'-0"$



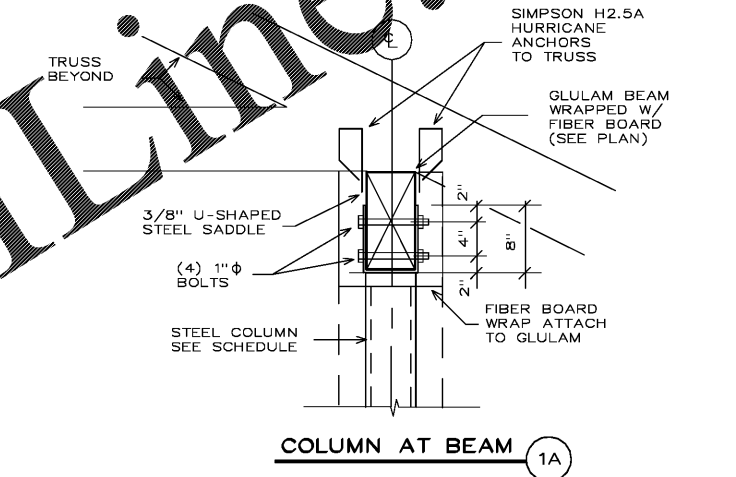
COLUMN DETAIL AT BEAM

NOT TO SCALE

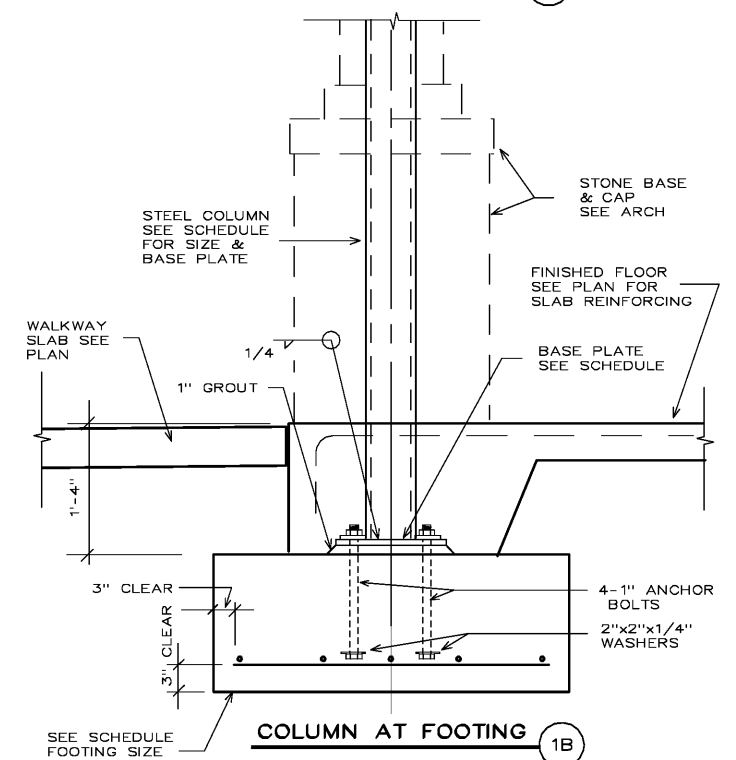
2
S2.1

FRAMING PLAN NOTES

- STRUCTURAL LUMBER**
1. Framing lumber specified on the structural drawings shall be #2 Southern Yellow Pine, kiln dried (MC=15%) or equal unless noted otherwise on the drawings.
 2. Wood framing shall conform to all local building codes as a minimum standard.
 3. Toe and end nailing may be allowed for bearing type connections unless otherwise noted on the drawings. All other connections shall be made using metal connectors.
 4. Provide bridging at 8'-0" maximum spacing and at all bearing points for all joists and rafters.



COLUMN AT BEAM 1A



COLUMN AT FOOTING 1B

COLUMN DETAILS

NOT TO SCALE

1
S2.1

NEW PICNIC PAVILION FOR DELLINGER PARK CARTERSVILLE, GA	17116
ROOF FRAMING PLAN & DETAILS	09/01/17
	S2.2

Order Plans @ WWW.LDLINE.COM