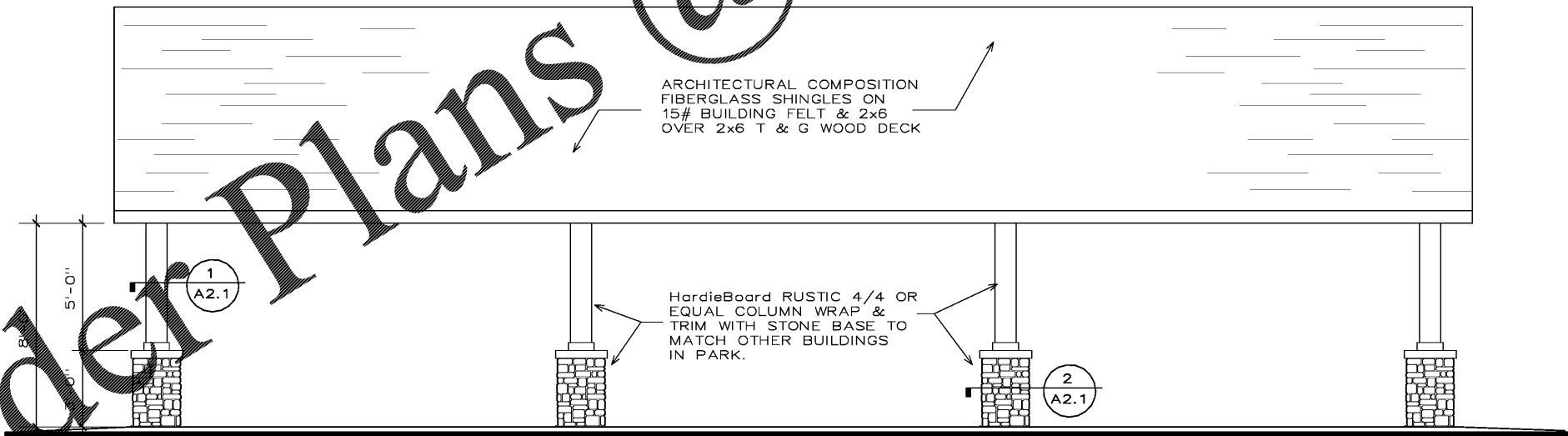


END ELEVATION
3/16" = 1'-0"

DIVISION 6 - WOOD AND PLASTIC

1. WOOD BEAMS - Wood beams to be Glulam 16F-V2 treated with the following load capabilities: Pb = 16000 psi and Fv = 300 psi.
2. WOOD DECKING - Wood decking to be 2" x 6" tongue and groove attached toenailed with 16d nails. Stain under side.
3. TRIM - Non-asbestos fiber-cement HardieBoard wood grain to comply with ASTM Standard Specifications C1186 Grade II, Type A as manufactured by James Hardie, or approved equal.
4. WOOD TRUSSES - Pre-engineered by truss manufacturer of No.2 kiln dried Southern Yellow pine or Western Lumber for Base Bid with pair of standard trusses attached together and wrapped with veneer to simulate heavy timber truss look. Add decorative steel plates w/ bolts similar to that shown on drawings. For ADD Alternate #1 use TimberStrand material simulating weathered wood for truss members with black steel plates similar to configuration shown on drawings.

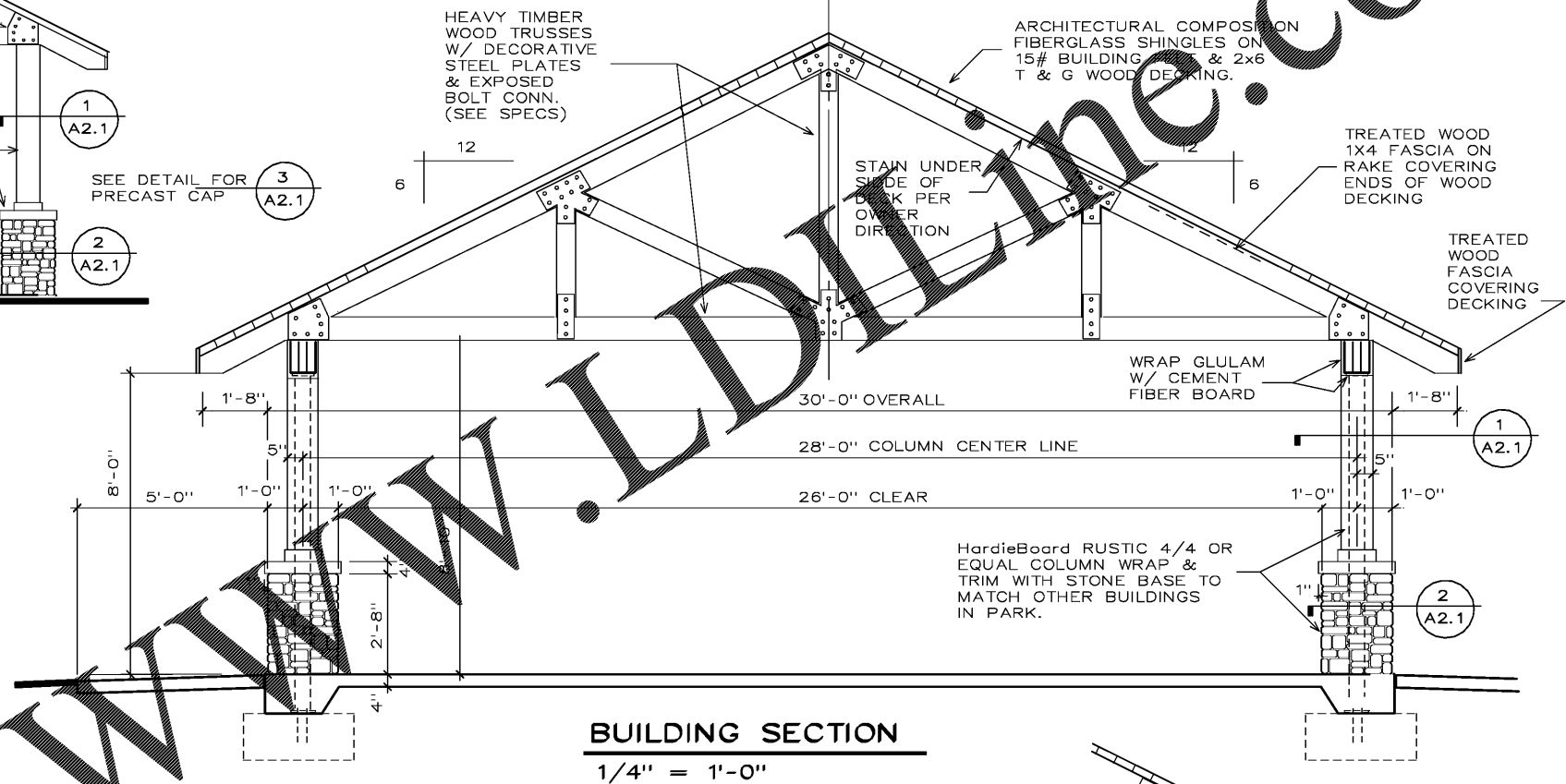
NOTE:
ALL HardieBoard OR APPROVED EQUAL SHALL HAVE WOOD GRAIN FINISH AND BE PAINTED COLOR SELECTED BY OWNER



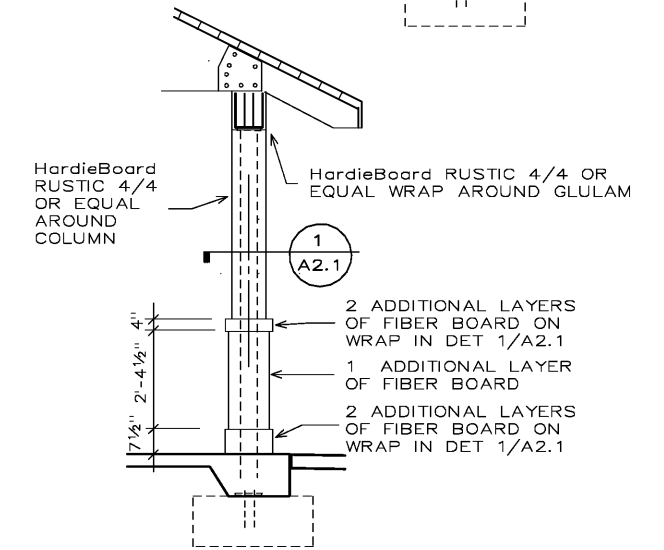
SIDE ELEVATION
3/16" = 1'-0"

DIVISION 7 - THERMAL AND MOISTURE PROTECTION

1. VAPOR BARRIER - 6 mil (.006") black polyethylene under concrete slabs lapped 8" at joints.
2. ROOFING FELT - Roofing felt to be #15 ASTM D-226. Type 1 as manufactured by United Roofing Mfg. Co., Inc. or approved equal.
3. SHINGLES - Asphalt fiberglass mat strip shingles, UL class A, with ceramic granules not less than 215 lbs. per square carrying a 30 year warranty. GS Roofing-Architect 80, Marville-Woodlands, Ga Pacific-Edmon Shingles in color as selected by Owner.



BUILDING SECTION
1/4" = 1'-0"



ALTERNATE #2 COLUMN
1/4" = 1'-0"

| | |
|---|----------|
| NEW PICNIC PAVILION FOR DELLINGER PARK CARTERSVILLE, GA | 17116 |
| BUILDING ELEVATIONS | A3.1 |
| | 09/01/17 |

Order Plans @