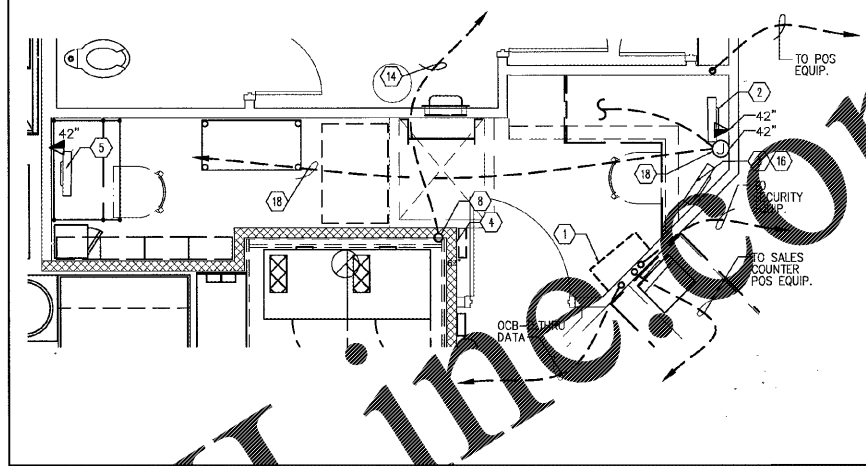


NO.	DATE	DESCRIPTION
1	5/22/2017	COORDINATION

NO.	DATE	DESCRIPTION	BY	CHECKED	APPROVED
1	5/22/2017	COORDINATION	VEG	DRS	BY #2

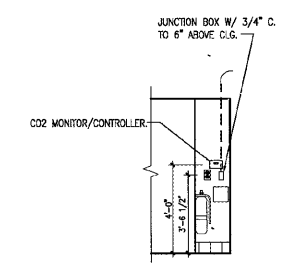
CKE SITE ID.:
 DATE: 2-28-17

SHEET NUMBER:
E8

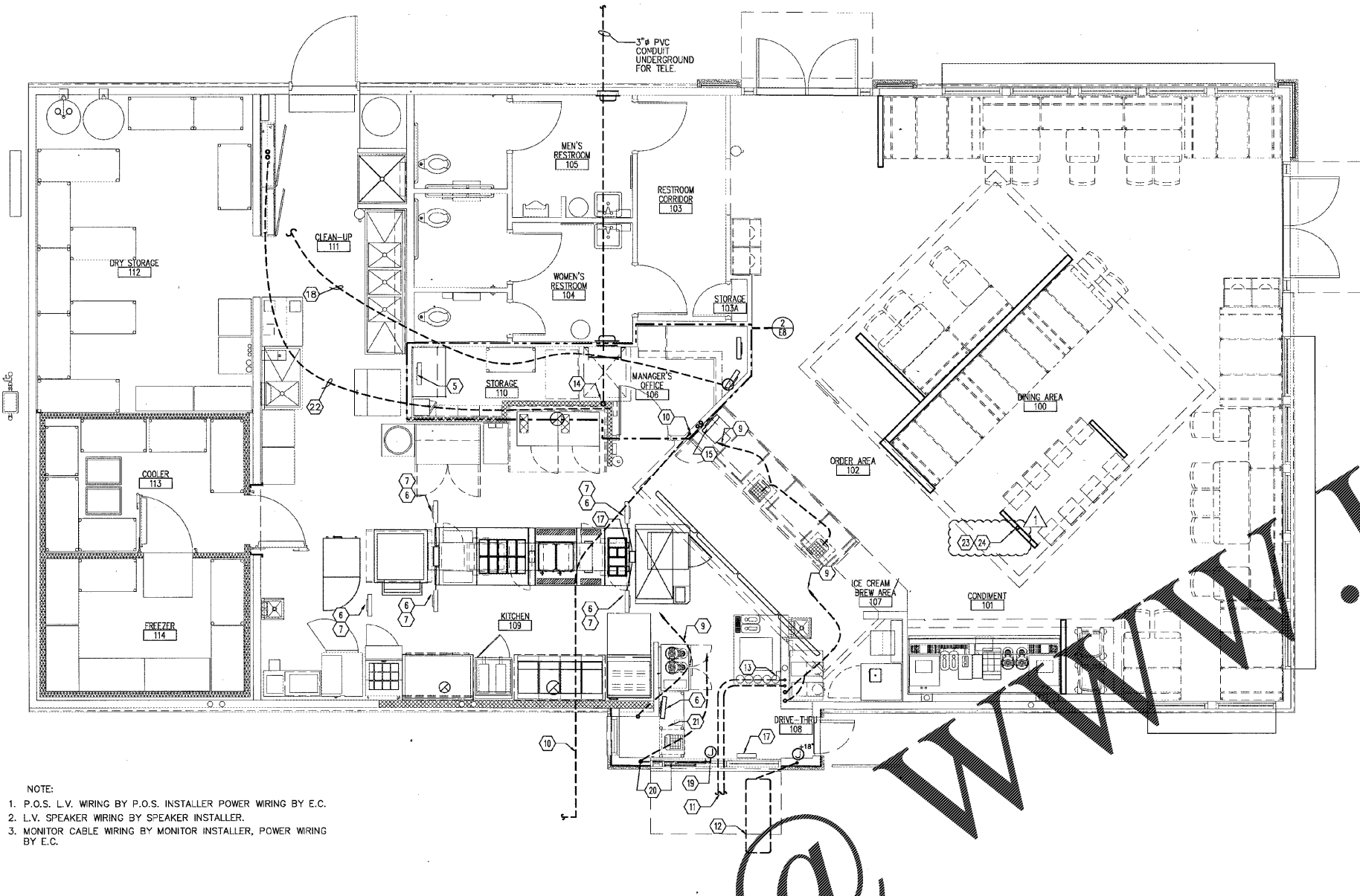


ENLARGED OFFICE PLAN SCALE: 3/8"=1'-0" 2

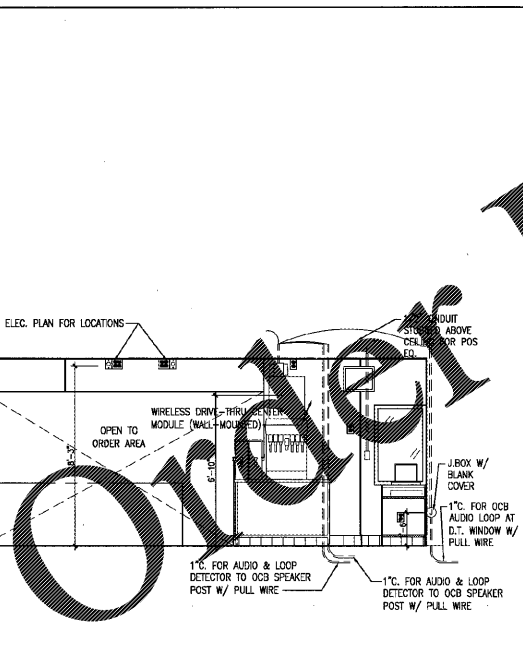
- 1 OFFICE SECURITY MONITOR AND EQUIPMENT
- 2 OFFICE CENTRAL HUB AND SERVER
- 3 OFFICE SECURITY EQUIPMENT HUB AND MONITOR
- 4 PHONE PANEL MOUNTED AT JUNCTION BOX W/ 1/2" C. TO 6" ABOVE CEILING. E.C. TO PULL PHONE CABLE FROM OFFICE TO MODEM IN CPI CABINET. SEE OFFICE ELEVATION ON DRAWING A12. PULL #6 INSULATED COPPER GROUND FROM PHONE BOARD TO GROUND BUSS IN CPI PANEL.
- 5 DVD MONITOR
- 6 POS MONITOR
- 7 MONITOR TRAY CABINET
- 8 WALL CHASE FOR UNDERGROUND TELEPHONE/DATA ENTRY INTO BUILDING. 6" ABOVE CEILING.
- 9 STUB OUT AT 18" TO 6" ABOVE CEILING. ROUTE TO OFFICE POS EQUIPMENT HUB. SEE 11/EB.
- 10 1" CONDUIT TO EXTERIOR OCB SPEAKER POST WITH PULL WIRE. E.C. SHALL ASSIST IN PULLING IN CABLES (2) #22/2 TSP & (1) #18/2 TSP FROM EXTERIOR MENU BOARD. CABLES PROVIDED BY AUDIO SYSTEM VENDOR. CONTRACTOR TO COORDINATE CABLE INSTALLATION WITH VENDOR.
- 11 E.C. TO PROVIDE (2) 1" CONDUIT W/ PULLSTRING TO DRIVE THRU ORDER STATION FOR AUDIO AND DATA.
- 12 TO DETECTOR LOOP DRIVE THRU WINDOW. SEE DETAIL THIS SHEET AND S01.
- 13 D/T HME DETECTOR/SPEAKER SYSTEM. SEE 11/EB.
- 14 3" PVC CONDUIT UNDERGROUND AND UP IN WALL TO 6" ABOVE CEILING FOR TELEPHONE.
- 15 SECURITY MONITOR MOUNTED @ 96".
- 16 SEE NOTE 13 ON E1.
- 17 D/T TIMER MONITOR (2).
- 18 JUNCTION BOX W/ 1/2" C. TO 6" ABOVE CEILING. E.C. TO PULL PHONE CABLE FROM OFFICE TO MODEM IN CPI CABINET. SEE OFFICE ELEVATION 5/EB.
- 19 JUNCTION BOX FOR VENDOR SUPPLIED EXTERIOR CARD READER. MOUNT TIGHT TO UNDERSIDE OF WINDOW DOUBLE PLATE.
- 20 EMPTY 3/4" C WITH PULLSTRING FROM CARD READER J-BOX TO 6" ABOVE CEILING.
- 21 POS PRINTER
- 22 PULL #6 INSULATED COPPER GROUND FROM PHONE BOARD TO GROUND BUSS IN CPI PANEL.
- 23 PULL #6 INSULATED COPPER GROUND FROM PHONE BOARD TO GROUND BUSS IN CPI PANEL.
- 24 E.C. TO STUB UP 2" CONDUIT IN WALL FOR REMOTE CUSTOMER POS SYSTEM. ROUTE TO OFFICE POS EQUIPMENT HUB. COORDINATE DATA STUB-UP WITH POWER STUB-UPS ON SHEET E1. DO NOT RUN POWER & DATA IN SAME CONDUIT.
- 25 REMOTE POS STATION IS OWNER SELECTED EQUIPMENT. IF NOT SELECTED THEN E.C. SHALL PROVIDE A BLANK COVER FOR DATA J-BOX IN LOW WALL.



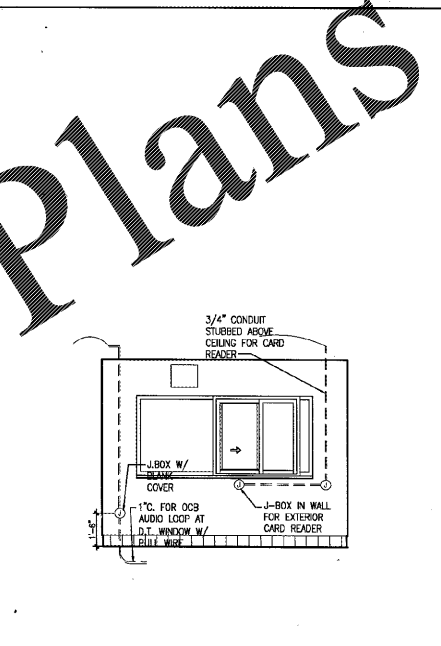
CO2 MONITOR ELEVATION SCALE: 1/4"=1'-0" 4



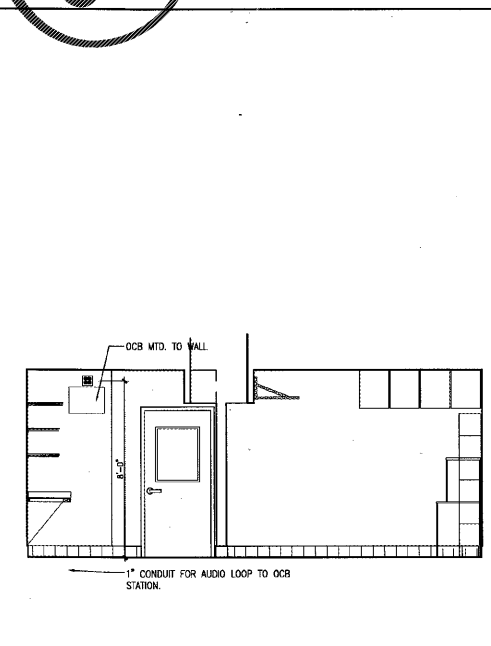
ELECTRICAL POS AND OCB PLAN SCALE: 1/4"=1'-0" 1



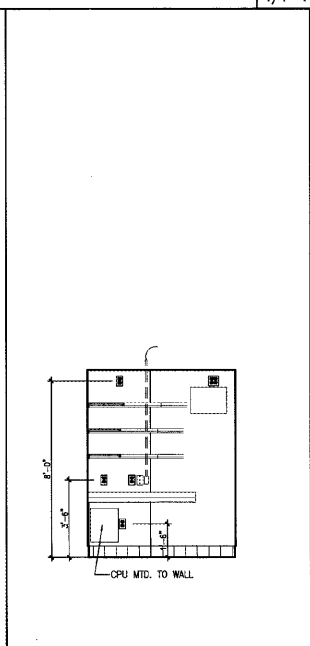
D/T ELEVATION SCALE: 1/4"=1'-0" 11



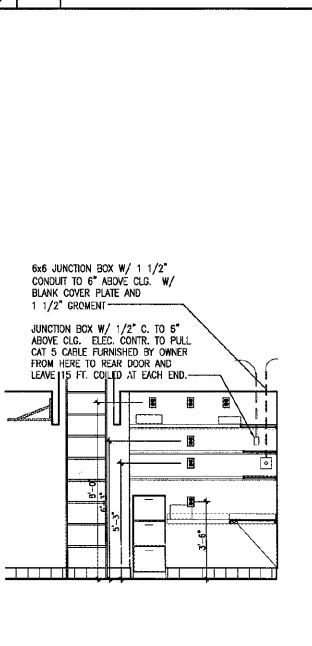
D/T ELEVATION SCALE: 1/4"=1'-0" 10



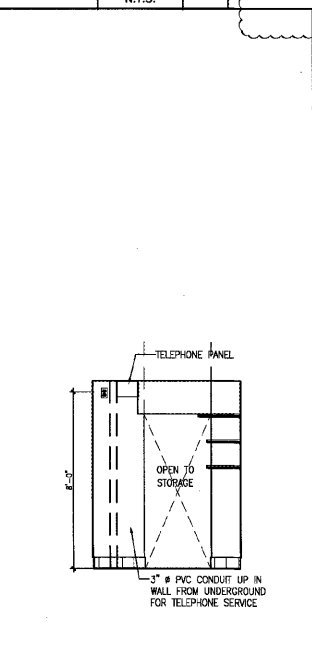
OFFICE ELEVATION SCALE: 1/4"=1'-0" 9



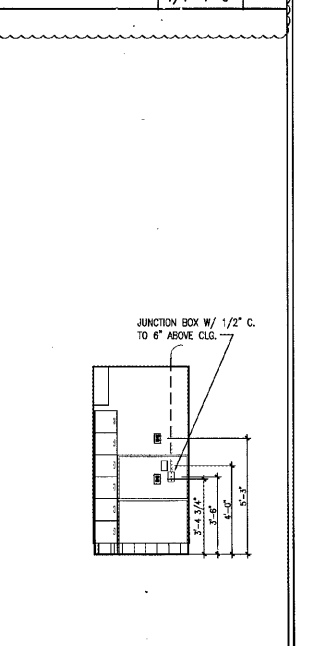
OFFICE ELEVATION SCALE: 1/4"=1'-0" 8



OFFICE ELEVATION SCALE: 1/4"=1'-0" 7



OFFICE ELEVATION SCALE: 1/4"=1'-0" 6



OFFICE ELEVATION SCALE: 1/4"=1'-0" 5

NOTE:
 1. P.O.S. L.V. WIRING BY P.O.S. INSTALLER POWER WIRING BY E.C.
 2. L.V. SPEAKER WIRING BY SPEAKER INSTALLER.
 3. MONITOR CABLE WIRING BY MONITOR INSTALLER, POWER WIRING BY E.C.

ELECTRICAL POS AND OCB PLAN

D/T ELEVATION

D/T ELEVATION

OFFICE ELEVATION

OFFICE ELEVATION

OFFICE ELEVATION

OFFICE ELEVATION

OFFICE ELEVATION

Order Plans @ WWW.ONLINECON