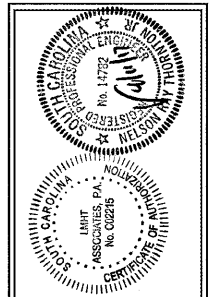
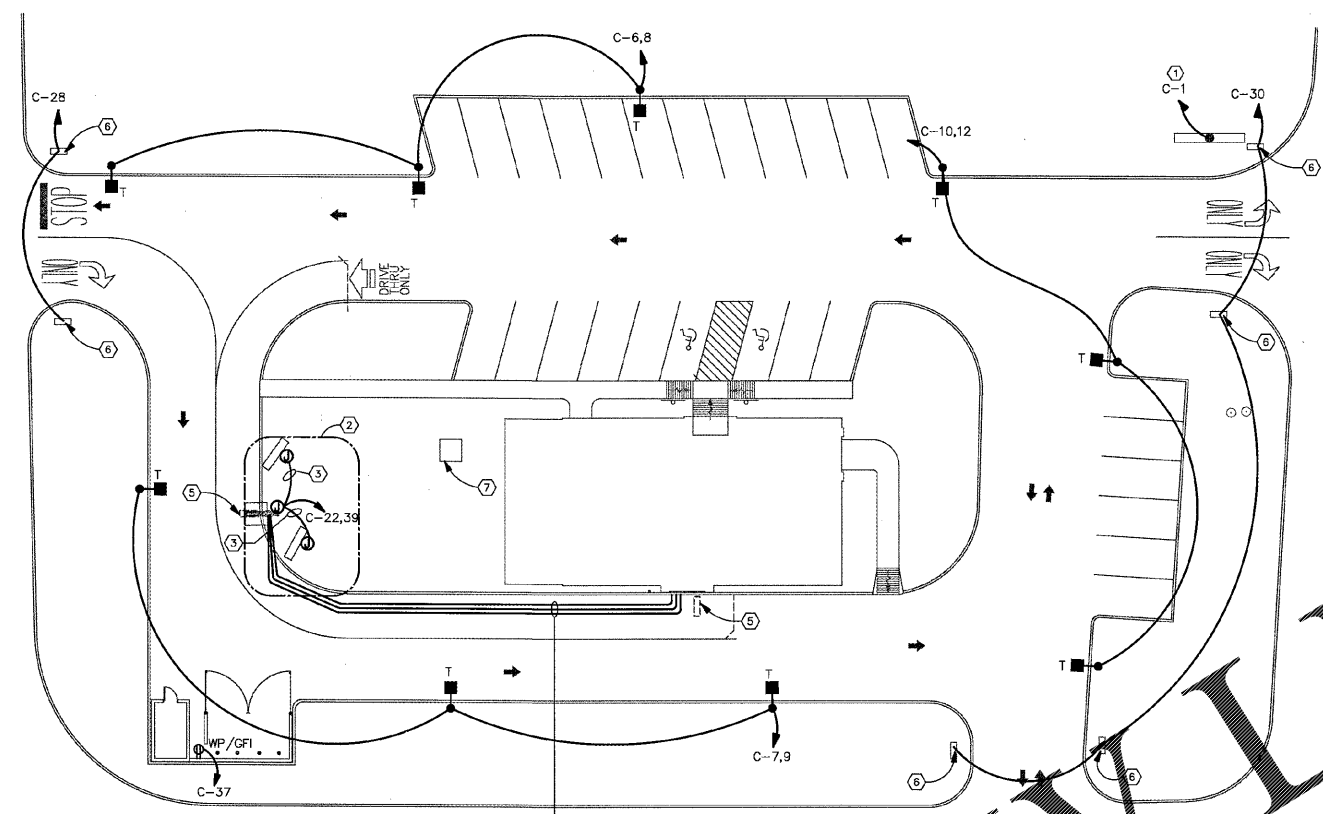


**NRD**  
 ARCHITECTS & ENGINEERS  
 3005 CARRINGTON MILL BLVD. SUITE 105  
 MORRISVILLE, NORTH CAROLINA 27560  
 PH: 919 544 7251 FAX: 919 544 6399  
 A Division of LHM Associates



**Hardee's**  
 145 CHURCH STREET  
 BATESBURG-LEESVILLE, SOUTH CAROLINA 29834



②(1) 1" CONDUIT FOR AUDIO SYSTEM,  
 (1) 1" CONDUIT FOR HYPER VIEW OCB, ④  
 (1) 1" CONDUIT FOR POWER, ③  
 SEE SHEETS E1 AND E4 FOR ADDITIONAL  
 INFORMATION FOR DRIVE THRU SYSTEM.

GENERIC SITE PLAN TO SHOW DESIGN INTENT ONLY  
 SEE CIVIL DWGS FOR ACTUAL SITE LAYOUT

1. SEE SITE PLAN SHEETS "SP" FOR FURTHER SITE INFORMATION.

SITE LIGHTING PLAN

SCALE: 1  
 1"=20'-0"

		SITE	
T LED	ASBLEDL-FL-C-96-285-5K-T4-120-277-COLOR	T-ALT/LED T2,3-ALT LED	TTF-10-BL
T/T LED	ASB-HSS	T2-ALT LED	TTF-28-BL
T/T LED	TT-1A-BL	T2-ALT LED	TTF-29-BL
T/T LED	TT-2A-BL	T1,T-ALT T2,3-ALT LED	SSP-57-22-1P0-BK
T/T LED	TT-3A-BL	T1,T-ALT T2,3-ALT LED	SSP-57-25-1P0-BK
T-ALT LED	TT-4A-BL	T1,T-ALT T2,3-ALT LED	1" ANCHOR BOLT SET
T-ALT LED	CLT-90L-U-5K-(2,3,4,5M)-BL		
T-ALT LED	CLT-90L-U-5K-(2,3,4,5M)-BL		
T-ALT LED	CLT-110-T(3,4)-5K-BL		

- ① E.C. TO PROVIDE CONDUIT TO ROAD SIGNAGE CONNECT TO CIRCUIT "C-1", VERIFY REQUIREMENTS WITH CONSTRUCTION MANAGER.
- ② E.C. TO PROVIDE (3) THREE 1" CONDUITS WITH PULL-STRING TO DRIVE-THRU BOOTH FOR AUDIO, DATA AND POWER.
- ③ E.C. TO PROVIDE 1" CONDUIT TO MENU BOARD, PRE-SALE BOARD AND CANOPY LIGHT TO CIRCUIT "C-22".
- ④ E.C. TO PROVIDE 1" CONDUIT TO CIRCUIT "C-39" (ISOLATED GROUND) FOR ORDER CONFIRMATION BOARD.
- ⑤ DETECTOR LOOP INSTALLED IN CONCRETE DRIVEWAY. SEE DETAIL 5/SP-1.
- ⑥ E.C. TO PROVIDE 3/4" CONDUIT AND WIRE TO "ENTRANCE" / "EXIT" SIGNAGE. VERIFY EXACT LOCATIONS ON CIVIL DRAWINGS.
- ⑦ PROPOSED TRANSFORMER LOCATION. VERIFY EXACT LOCATIONS ON CIVIL DRAWINGS.

SITE LIGHTING SCHEDULE

SCALE: 2  
 N.T.S.

CODED NOTES

SCALE: 3  
 N.T.S.

NO.	REVISIONS DESCRIPTION	DATE

**ELECTRICAL SITE LIGHTING PLAN**

DRAWN BY: VEG  
 CHECKED BY: DRS  
 APPROVED BY: [Signature]

CKE SITE ID: \_\_\_\_\_  
 DATE: 2-28-17

SHEET NUMBER:  
**E5**