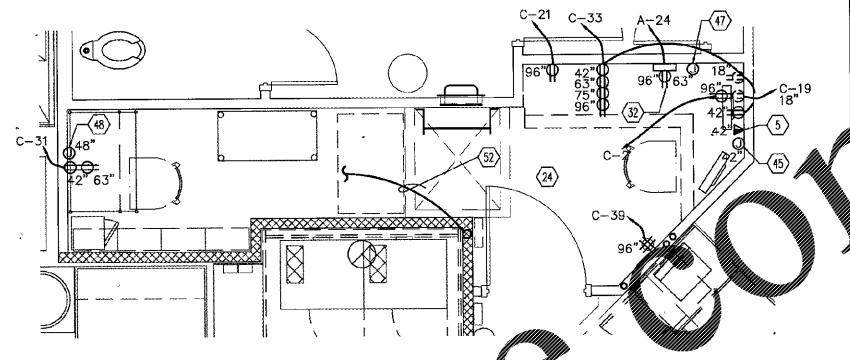


REVISIONS table with columns for NO., DESCRIPTION, DATE, and APPROVED BY.

POWER PLAN table with columns for DRAWN BY, CHECKED BY, APPROVED BY, and DATE.



ENLARGED OFFICE PLAN

SCALE: 3/8"=1'-0" 2

ELECTRICAL LEGEND

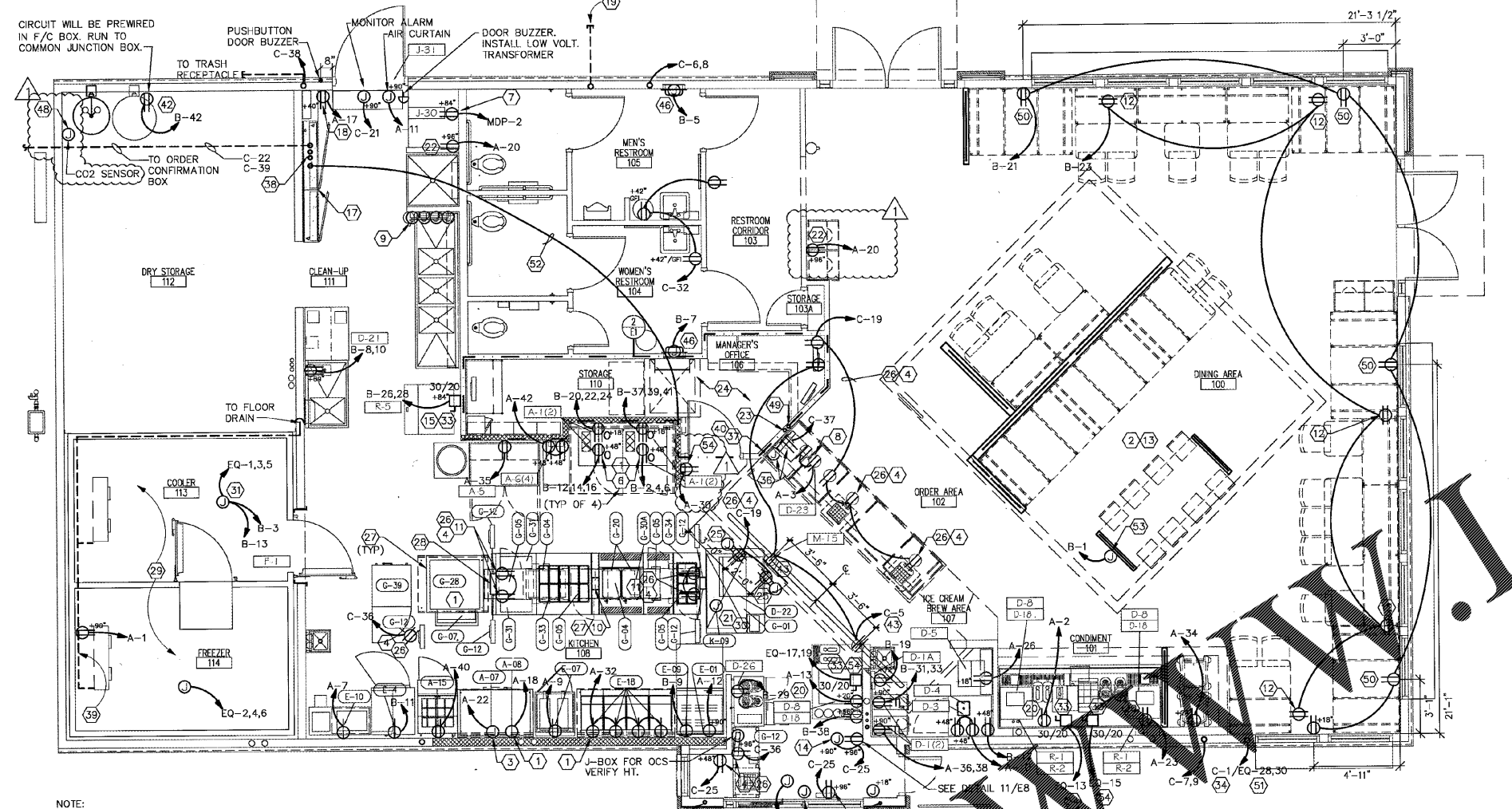
- 120 VOLT SIMPLEX RECEPTACLE
120 VOLT DUPLEX RECEPTACLE
120 VOLT DUPLEX RECEPTACLE CEILING MOUNTED
120 VOLT DUPLEX RECEPTACLE MOUNTED UNDER COUNTER
208 VOLT, 1 OR 3 PHASE SINGLE RECEPTACLE
208 VOLT RECEPTACLE (TWIST LOCK) (L14-20R)
120 VOLT DUPLEX RECEPTACLE (WEATHER PROOF)
120 VOLT QUAD RECEPTACLE
120 VOLT QUAD RECEPTACLE CEILING MOUNTED
208 VOLT RECEPT & PLUG SUPPLIED BY HARDEES INSTALLED BY E.C.
TELEPHONE JACK
DATA JACK
PHONE/DATA JACK
MOTOR AND NON-FUSED DISCONNECT
JUNCTION BOX
HOWERUN

- (2) P.O.S. (G-12)
HTD SHELF (G-04)
MICROWAVE (G-05)
TIMER (G-09)
MICROWAVE (G-05)
TRANSFER BIN (G-01)
COLD RAIL (G-34)
REFRIG. (D-22)
CIRCUIT HEATER (G-30A)
(2) HEAT MAT A (G-35)
MUT CONV. RECEPTACLE A
(2) HEAT MAT B (G-35)
PRINCE CASTLE HOLDING BIN (G-33)
CTR TOP WARMER (G-20)
CTR TOP WARMER (G-20)

- MIDDLE M.U.T. CHASE (4X8 CENTER CHASE)
MICROWAVE (G-05)
MICROWAVE (G-05)
HTD SHELF (G-04)
(2) TIMERS (G-09)
MUT CONV. RECEPTACLE B
VERT. TOASTER (G-31)
VERT. TOASTER (G-31)
CHAIN BRLR (G-28)
REACH-IN FRIDGE (G-39)
MEAT FREEZER (G-07)
(2) P.O.S. (G-12)

- REAR M.U.T. CHASE (TALL 4X14 RIGHT END CHASE)
(2) P.O.S. (G-12)
(2) P.O.S. (G-12)

SCALE: N.T.S. 3 ELECTRIC LEGEND



- NOTE:
1. P.O.S. L.V. WIRING BY P.O.S. INSTALLER POWER WIRING BY E.C.
2. L.V. SPEAKER WIRING BY SPEAKER INSTALLER.
3. MONITOR CABLE WIRING BY MONITOR INSTALLER, POWER WIRING BY E.C.

1/2" CONDUIT STUBBED ABOVE CEILING FOR D/T CUSTOMER CARD READER CONDUIT.

REFER TO SHEET E-5 FOR DRIVE THRU AUDIO SYSTEM ROUGH-IN. VERIFY SYSTEM TO BE USED WITH OWNER.
NOTE: REFER TO PANEL SCHEDULES SHEET E-3 FOR INDICATION OF WHICH CIRCUITS WILL BE CIRCUITED THROUGH THE ENERGY CONTROL PANEL.

SCALE: 1/4"=1'-0" 1 MAKE-UP TABLE POWER CHASE

ELECTRICAL POWER PLAN

- (1) CONTROL CIRCUIT RECEPTACLE FOR FRYERS, OVENS, FLAT GRIDDLE AND FILTER MOTOR RECEPTACLES SHALL BE POWERED AND INTERLOCKED WITH EXHAUST FAN AND FIRE PROTECTION SYSTEM.
(2) REFER TO SHEET E-4 FOR CIRCUITS TO EQUIPMENT ON ROOF.
(3) THE PREFABRICATED HOOD IS PROVIDED WITH A COVER PLATE FOR THE TIMER OUTLETS. THE CONTRACTOR SHALL INSTALL DUPLEX RECEPTACLES AND WIRE TO BRANCH CIRCUIT.
(4) COORDINATE WITH OWNER FOR INFORMATION ON INSTALLATION AND WIRING REQUIREMENTS FOR P.O.S. COMPUTERIZED CASH REGISTER SYSTEM. INSTALLED BY ELECTRICAL CONTRACTOR. VERIFY REQUIREMENTS WITH P.O.S. SUPPLIER PRIOR TO BID.
(5) INSTALL TELEPHONE SERVICE TO ALL LOCATIONS INDICATED. COORDINATE WITH LOCAL TELEPHONE COMPANY.
(6) RECEPTACLES FOR BLODGETT OVEN PROVIDED WITH EQUIPMENT. VERIFY TYPE OF MACHINE WITH OWNER.
(7) RECEPTACLE FOR GAS WATER HEATER.
(8) UNDERCOUNTER RECEPTACLE FOR "MONSTER" DRINK DISPLAY CASE
(9) (4) JUNCTION BOXES, SIDE BY SIDE (4" OCTAGONAL) @ 48" A.F.F. FOR REMOTE PULL STATION. (FLUSH MOUNT)
(10) ROUTE MAKE-UP TABLE MIDDLE ELECTRICAL CHASE WIRING REAR CHASE FOR POWER CONNECTIONS. SEE DETAIL 3/E.
(11) E.C. TO INSTALL IG RECEPT. IN J.B. SUPPLIED W/ POWER CHASE
(12) SHOW WINDOW RECEPTACLE INSTALLED IN CEILING
(13) E.C. TO WORK WITH PROJECT MANAGER TO COORDINATE THE HARDEE'S SUPPLIED ALARM/CAMERA SYSTEM WIRING. THIS WORK SHALL BE DONE PRIOR TO CEILING INSTALLATION.
(14) EXTEND SIGNAL WIRE FROM UNDERGROUND DETECTOR PROPS TO FAST TRACK CONTROL OFFICE.
(15) BRANCH CIRCUIT TO EACH MACHINE. REQUIRE 20 AMP, 2 POLE, BRANCH BREAKER AND AIR COOLED CONDENSER ON ROOF. ROUTE (2) #12 A.W.G. #1 GROUND FROM EACH MACHINE TO CONDENSER. FURNISH AND INSTALL CONNECT SWITCH AT EACH LOCATION. CONTRACTOR TO COORDINATE J-BOX LOCATION WITH TRANSFER BIN POWER CHASE. OWNER WILL FURNISH AND E.C. SHALL INSTALL CPI ELECTRICAL CONTROL PANEL. COORDINATE EXACT REQUIREMENTS WITH OWNER PRIOR TO BIDS.
(16) POSITION CONTROL SYSTEM RECEPTACLE MOUNTED AT 90" A.F.F.
(17) INSTALL 2" GRS CONDUIT FOR IRRIGATION SYSTEM. EXTEND ABOVE CEILING AND 5 FEET BEYOND FOUNDATION. SEE IRRIGATION PLAN IN CIVIL DRAWINGS.
(18) INSTALL RECEPTACLE FOR ICE DISPENSER AND CARBONATOR.
(19) INSTALL SIGNAL J-BOX WITH SS COVER WITH 3/4" RUBBER GROMMETED HOLE, EXTEND 3/4" CONDUIT TO ABOVE CEILING (FOR FAST TRACK TIMER). SEE AUDIO SYSTEM DETAIL SHEET.
(20) WALL MOUNTED RECESSED CLOCK RECEPTACLE FOR BUG ZAPPER.
(21) ELECTRICAL DATA, AND OTHER OUTLETS IN OFFICE SHOWN FOR REFERENCE ONLY. VERIFY PLACEMENT & MOUNTING WITH OWNER'S REPRESENTATIVE PRIOR TO INSTALLATION.
(22) SQUARE BOXES WITH SMALL PANELS. TRANSFER RINGS MOUNTED ON 4" SQUARE SIDE MENU WALL AT 48" A.F.F. POSITION AS SHOWN ON PLAN. PROVIDE 1" CONDUIT STUBBED ABOVE CEILING.
(23) ALL THE EQUIPMENT TO BE CIRCUITED TO ISOLATED GROUND (IG) CIRCUIT.
(24) EQUIPMENT WILL HAVE RECEPTACLE MOUNTED IN MAKE-UP TABLE W/ WIRE TO A JUNCTION BOX IN MAKE-UP TABLE. E.C. TO CONNECT CIRCUITS TO BUILDING CONTROL SYSTEM. ROUTE THEM THROUGH THE WIRING CHASE TO THE JUNCTION BOXES AND MAKE CONNECTIONS. SEE DETAIL 3/E1.
(25) MAKE-UP TABLE REAR CHASE WIRING FOR POWER CONNECTIONS. SEE DETAIL 3/E1.
(26) FREEZER/COOLER/STORAGE UNIT POWERED BY MANUFACTURER INSTALLED ELECTRICAL PANEL. E.C. TO CONNECT UNIT ELECTRICAL PANEL TO J-BOX FOR A FULLY FUNCTIONAL SYSTEM.
(27) E.C. TO MAKE FINAL CONNECTIONS IN J-BOX ABOVE CEILING FOR TRANSFER BIN AND UNDERCOUNTER REFRIGERATOR.
(28) J-BOX FOR CONNECTION TO MANUFACTURER PROVIDED ELECTRICAL PANEL. PRIOR TO ROUGH-IN. FIELD VERIFY INSTALLATION LOCATION. COORDINATE WITH G.C.
(29) E.C. TO VERIFY POWER REQUIREMENTS AND PLACEMENT WITH OWNER OR OWNER'S REPRESENTATIVE PRIOR TO INSTALLATION OF FIRE ALARM SYSTEM WHEN REQUIRED BY CODE. FOLLOW MANUFACTURER'S GUIDELINES FOR INSTALLATION AND WIRING.
(30) E.C. TO PROVIDE AND INSTALL DISCONNECT AT 7'-0" A.F.F.
(31) E.C. TO PROVIDE CONDUIT TO ROADSIGN, VERIFY REQUIREMENTS FOR CIRCUIT C-1 WITH CONSTRUCTION MANAGER.
(32) E.C. TO PROVIDE (2) 1" CONDUIT W/ PULLSTRING TO DRIVE THRU BOOTH FOR AUDIO AND DATA.
(33) SECURITY MONITOR J-BOX AT 96".
(34) E.C. TO PROVIDE 1" CONDUIT TO OCB WITH IG CIRCUIT.
(35) ARCHITECTURAL PLAN FOR LOCATION OF ELECTRICAL SERVICE CIRCUIT TO INTEGRATED PANELBOARD.
(36) E.C. TO PROVIDE & INSTALL HEAT TAPE AROUND CONDENSATE DRAIN LINE TO FREEZER. COORDINATE W/CONSTRUCTION MANAGER & MECHANICAL CONTRACTOR.
(37) CONDUITS FROM DRIVE THRU ORDER STATION TO LOCATION ABOVE CEILING.
(38) E.C. SHALL ASSIST IN PULLING CABLES FOR DRIVE THRU SYSTEM TO DRIVE THRU ORDER STATION.
(39) GREASE PUMP OUTLET. COORDINATE WITH INSTALLER FOR EXACT LOCATION.
(40) INSTALL MENU BOARD OUTLET AT 99" A.F.F. POSITION OUTLET BOX HORIZONTAL AS SHOWN ON PLAN.
(41) PROVIDE J-BOX IN CEILING TO WIRE OPTIONAL D/T HEATER.
(42) JUNCTION BOX W/ 1/2" C. TO 6" ABOVE CEILING. E.C. TO PULL PHONE CABLE FROM OFFICE TO MODEM IN CPI CABINET. SEE OFFICE ELEVATION ON DWG. A12.
(43) E.C. TO PROVIDE LOCKABLE BREAKER OR LOCAL DISCONNECT CAPABLE OF BEING LOCKED IN THE OFF POSITION FOR ALL HARDWARE CONNECTIONS PER NEC 422.31(B).
(44) INSTALL 6x6 J-BOX AT 63" A.F.F. WITH 1 1/2" CONDUIT STUBBED UP 6" ABOVE CEILING WITH PULL STRING, AND FLUSH COVER WITH 1 1/2" OPENING WITH GROMMET.
(45) 3/4" CONDUIT IN WALL TO 6" ABOVE CEILING WITH STUB OUT AT 48", WITH PULL STRING.
(46) 3/4" CONDUIT IN WALL TO 6" ABOVE CEILING FOR PUBLIC SECURITY MONITOR CABLE.
(47) MOUNT RECEPTACLE CENTERED UNDER TABLE TOP, BELOW WINDOW AT 12" A.F.F.
(48) TO ELECTRONIC READER BOARD.
(49) PULL #6 INSULATED COPPER GROUND FROM PHONE BOARD TO GROUND BUSH IN CPI PANEL.
(50) E.C. TO PROVIDE STUB-UP, CONDUIT, AND WIRING TO J-BOX IN DINING ROOM WALL/TECH TABLE. DO NOT RUN POWER AND DATA IN SAME CONDUIT. SEE SHEET E8 FOR DATA CONDUIT.
(51) BRANCH CIRCUIT TO ICE MACHINE REQUIRES 20 AMP, 1 POLE, HACR BREAKER. INSTALL AIR COOLED CONDENSER ON ROOF. ROUTE (2) #12 AND (1) #12 GROUND FROM ICE MACHINE TO CONDENSER. FURNISH AND INSTALL DISCONNECT SWITCH AT EACH ICE MACHINE LOCATION.
(52) RECEPTACLE FOR CO2 MONITOR/ALARM MOUNTED AT 48" A.F.F. E.C. SHALL PROVIDE A SEPARATE 3/4" CONDUIT IN WALL TO 6" ABOVE CEILING WITH PULL STRING. SEE DETAIL 4/E8. E.C. SHALL COORDINATE WITH EQUIPMENT PROVIDER FOR ALL REQUIREMENTS PRIOR TO ROUGH-IN.

SCALE: N.T.S. 5

GENERAL NOTES

- GENERAL NOTES
1. E.C. RESPONSIBLE TO SECURE AND PAY FOR ALL PERMITS, ADHERE TO ALL STATE, LOCAL AND NATIONAL ELECTRICAL CODES, AND SCHEDULE INSPECTION TIMES AS TO NOT DELAY JOB PROGRESS.
2. COORDINATE ALL WORK WITH OTHER TRADES TO ELIMINATE CONFLICTS ON THE JOB.
3. PERFORM ALL WORK IN A NEAT AND PROFESSIONAL MANNER, AND SUPPLY ALL NEW EQUIPMENT AND ACCESSORIES.
4. SUBMIT SHOP DRAWINGS AND OPERATION MANUALS OF ALL EQUIPMENT AND ACCESSORIES FOR OWNER APPROVAL, PRIOR TO STARTING WORK.
5. ALL LOW VOLTAGE AND LINE VOLTAGE WIRING TO BE IN CONDUIT. ALL INTERIOR CONDUIT TO BE RIGID EMT WITH A MAXIMUM WHIP LENGTH OF 6 FEET.
6. ALL ELECTRICAL PANELS TO BE BASED ON SQUARE "D" OR EQUAL BY G.E. OR ITE SIEMENS WITH BOLT-ON TYPE CIRCUIT BREAKERS.
7. ALL PENETRATIONS OF WALL, ROOF AND CEILINGS TO BE SEALED AS REQUIRED WITH FIRE SEALANT TO MAINTAIN FIRE RATING.
8. MINIMUM SIZE CONDUIT TO BE 1/2" FOR INDIVIDUAL LIGHT FIXTURE CONNECTIONS, AND 3/4" FOR ALL OTHER LOCATIONS.
9. ALL CONDUIT INSTALLED IN CEILING FROM PANEL TO JUNCTION BOX SHALL BE RIGID METALLIC CONDUIT. ALL CONDUIT INSTALLED IN WALLS SHALL BE RIGID METALLIC CONDUIT, WHERE POSSIBLE. MC CABLE MAY ONLY BE USED WITH PERMISSION FROM PROJECT MANAGER.
10. ALL WIRES AND CABLES SHALL BE SOFT-DRAWN COPPER RATED 600 VOLTS, TYPE THHN/THWN, NO WIRE SMALLER THAN #12 AWG SHALL BE USED FOR LIGHTING OR POWER CIRCUITS. STRANDED WIRE SHALL BE USED FOR #8 AWG AND LARGER CONDUCTORS. ALL WIRING TO BE COLOR-CODED AS FOLLOWS:
120/208 VOLT SYSTEM:
NEUTRAL - WHITE
PHASE A OR L1 - BLACK
PHASE B OR L2 - RED
PHASE C OR L3 - BLUE
GROUND - GREEN

SCALE: N.T.S. 4

CODING NOTES

SCALE: N.T.S. 6