

NO.	DATE	DESCRIPTION

WASTE/ VENT, WATER & GAS RISER	DRAWN BY: JCL	CHECKED BY: JCL	APPROVED BY: JCL
--------------------------------------	---------------	-----------------	------------------

DATE: 2-28-17

SHEET NUMBER:  
**P6**

**GAS PIPE SPECIFICATIONS**

BLACK STEEL SCHED 40 ROLLED SEAMLESS EXTERIOR SHALL BE PRIMED AND PAINTED

GAS VALVE STYLE #80-101 TO 108 UL LISTED/BRONZE BODY/GLASS FILLED TEFLON BEARING/LEVER HANDLE/RATED 250#

PIPING SYSTEM SHALL BE INSTALLED IN ACCORDANCE WITH NFPA 54 FOR NATURAL GAS SYSTEMS.

FITTINGS: MALLEABLE IRON, STANDARD WEIGHT, BLACK

GAS PRESSURE: SET 7"WC. (150' MAX. DIST.)

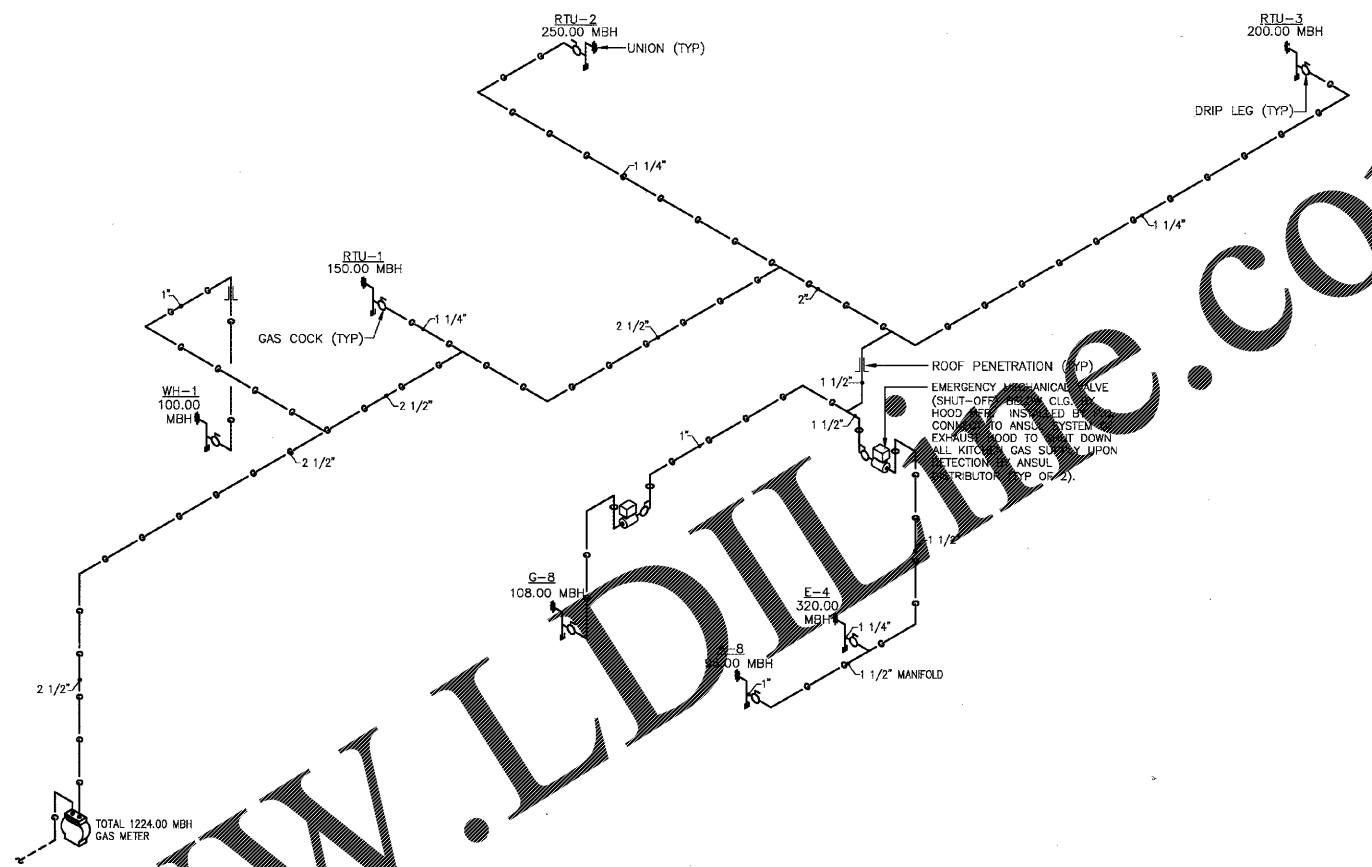
PROVIDE SEDIMENT TRAP (MIN 6" DEPTH) ON EQUIPMENT AND APPLIANCE CONNECTIONS.

GAS METER SHALL BE SECURELY SUPPORTED.

**GAS REQUIREMENTS**

ITEM	DEMAND (MBH)	IND. DEMAND
A-8 Griddle	96.00	96.00
E-4 Fryer	320.00	320.00
G-8 Chain Broiler	108.00	108.00
<b>SUBTOTAL KITCHEN</b>	<b>524.00</b>	<b>524.00</b>
RTU-1	150.00	150.00
RTU-2	250.00	250.00
RTU-3	200.00	200.00
<b>SUBTOTAL HEATING</b>	<b>600.00</b>	<b>600.00</b>
WATER HEATER	100.00	100.00
<b>SUBTOTAL WTR. HTR.</b>	<b>100.00</b>	<b>100.00</b>
<b>TOTAL DEMAND</b>	<b>1224.00</b>	<b>1224.00</b>
<b>MOST REMOTE FIXTURE DIST. (FT.)</b>	<b>150'</b>	
<b>BUILDING GAS MAIN SIZE</b>	<b>2 1/2"</b>	
<b>KITCHEN</b>	<b>524.00</b>	
<b>HEATING</b>	<b>600.00</b>	
<b>WATER HEATER</b>	<b>100.00</b>	
<b>TOTAL:</b>	<b>1224.00</b>	

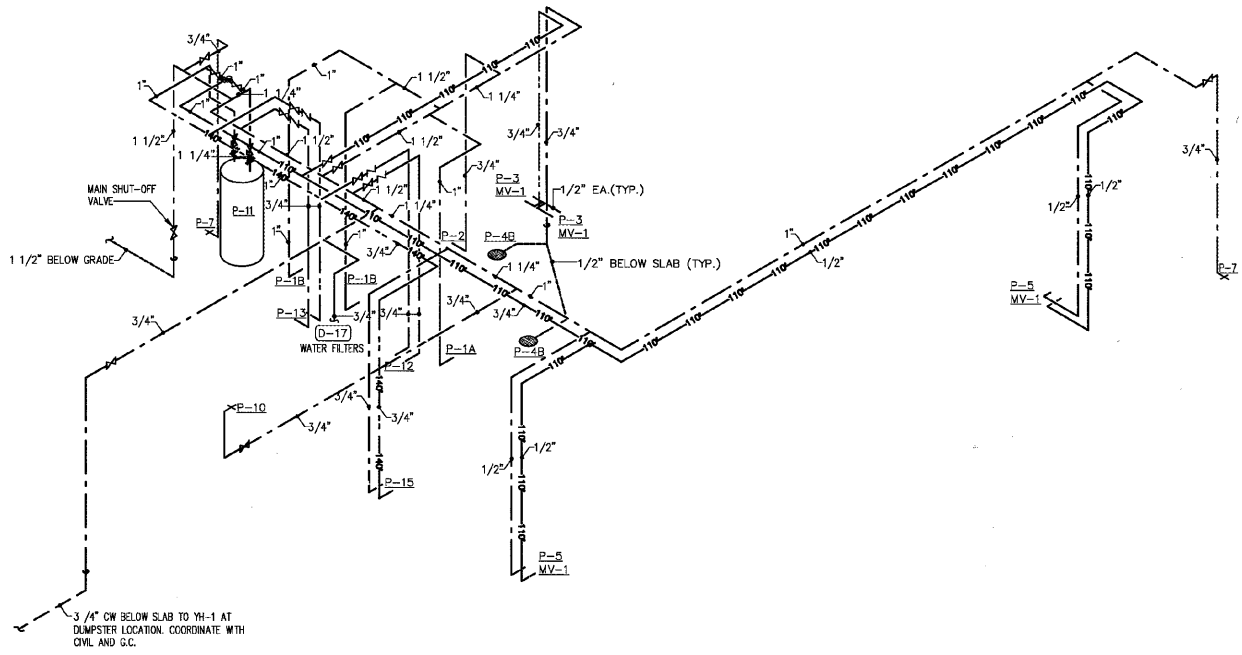
**GAS ISOMETRIC**



SCALE: 1  
N.T.S.

**WATER PIPING SIZING CRITERIA**

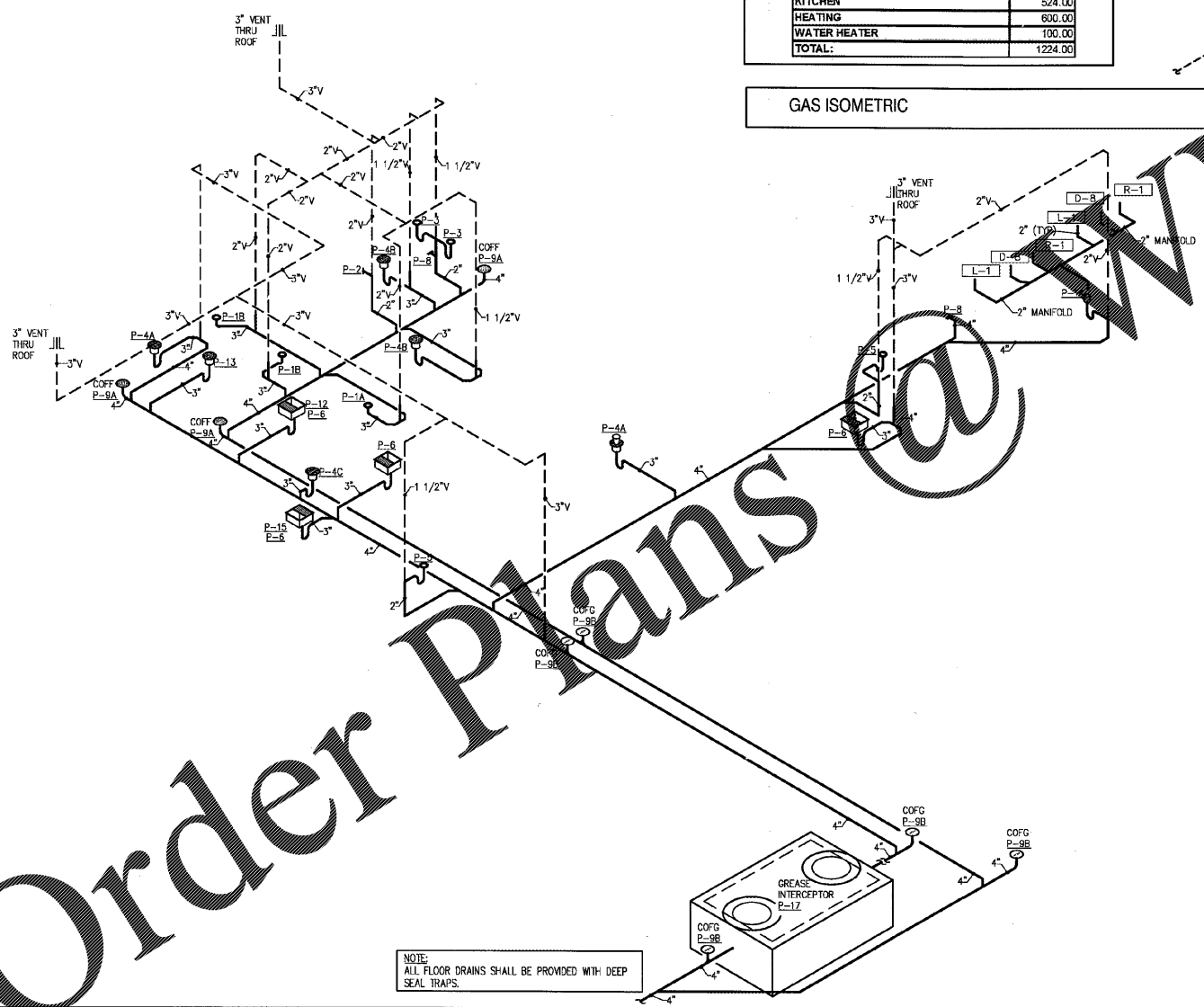
- ALL PIPE SIZES SHOWN ON RISER ARE BASED ON COPPER PIPE. PEX-A IS AN APPROVED SUBSTITUTION MATERIAL (SEE SPECIFICATION SHEET). HOWEVER, IF PEX-A IS INSTALLED, ALL PIPE SIZES (EXCEPT SINGLE FIXTURE BRANCHES) SHALL BE INCREASED (1) PIPE SIZE FROM SIZES SHOWN ON RISER.
- COPPER PIPE SIZING BASED ON DESIGN MAXIMUMS OF 8FT/SEC VELOCITY AND 5PSI/100FT TO BPSI/100FT OF PRESSURE LOSS.
- PEX-A PIPE SIZING BASED ON MANUFACTURER DESIGN CRITERIA AND DESIGN MAXIMUMS OF 8FT/SEC VELOCITY AND 5PSI/100FT TO BPSI/100FT OF PRESSURE LOSS.
- IF PEX-A IS USED, DOMESTIC HOT WATER RETURN PIPING SHALL BE MINIMUM OF 1" DIAMETER TO MEET MANUFACTURER RECOMMENDED VELOCITY OF 2FT/SECOND @ DESIGNED RECIRC PUMP GPM RATE.



FILTERED WATER TO BE RUN BY OTHERS  
 P.C. TO INSTALL IN WALL "DROPS" FOR FILTERED WATER ITEMS. SEE DETAIL 19/P7. FILTERED WATER SYSTEM, INSTALLED BY VENDOR.

SCALE: 3  
N.T.S.

**WATER SUPPLY ISOMETRIC**



NOTE: ALL FLOOR DRAINS SHALL BE PROVIDED WITH DEEP SEAL TRAPS.

**WASTE & VENT ISOMETRIC**

SCALE: 2  
N.T.S.

Order Plans