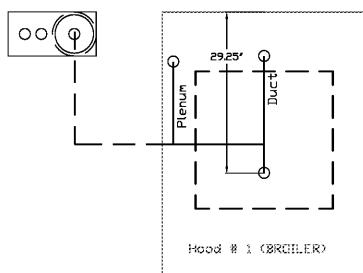


NEICO BROILER WITHOUT CATALYTIC CONVERTER  
NEICO BROILER MODEL #1424



- NOTES
- FIELD PIPE DROPS AS SHOWN
  - SLEEVING, ELBOWS, TEES, AND NOZZLES SUPPLIED BY CAS
  - RELOCATE NOZZLES IF FLOW PATTERN IS BLOCKED BY SHELVE, SALAMANDERS, ETC.
  - MAXIMUM 9 ELBOWS IN SUPPLY LINE.
  - MINIMUM 72 INCHES OF AGENT LINE FROM TANK TO FIRST NOZZLE.
  - IF APPLICABLE, PRE-PIPED CHARBROILER DROPS ARE SHIPPED LOOSE.
  - FACTORY PIPING EXTENDS A MAXIMUM OF 6' ABOVE THE TOP OF THE HOOD.
- APPLIANCE DIMENSIONS LISTED REPRESENT THE COOKING SURFACE SIZE, NOT THE OVERALL APPLIANCE SIZE.
- THIS FIRE SYSTEM COMPLIES WITH U.L. 300 REQUIREMENTS

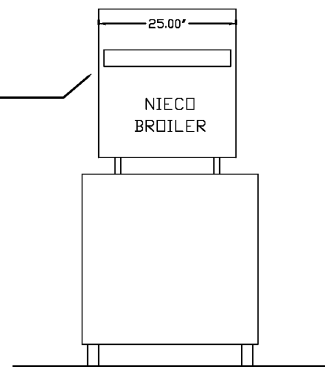
Drawn By:  
System Size: ANSUL-1.5 Total FP required: 4  
Hood # 1 3' 1.00' Long x 48' Wide x 30' High  
Riser # 1 Size: 8" Dia.  
Hood # 1 Metal Blow-Off Caps included.

LEGEND - WALL MOUNTED ANSUL SYSTEM

- 1A 1.5 GALLON TANK
- 1B 3.0 GALLON TANK
- 2 AUTOMAN RELEASE
- 3 3 GALLON TANK ENCLOSURE
- 3A 6 GALLON TANK ENCLOSURE
- 4 REGULATED ACTUATOR
- 5 ANSULEX LIQUID AGENT (3 GAL.)
- 6 ANSULEX LIQUID AGENT (1.5 GAL.)
- 7 CARTRIDGE (101-20)
- 8 CARTRIDGE (101-10)
- 9 CARTRIDGE (101-30)
- 9A CARTRIDGE (LT-A-101-30)
- 9B DOUBLE TANK CARTRIDGE
- 10 TEST LINK
- 11 DOUBLE MICROSWITCH
- 2W DUCT NOZZLE (419337)
- 1W NOZZLE ASSEMBLY (419336)
- 1F NOZZLE ASSEMBLY (419333)
- 1N NOZZLE ASSEMBLY (419335)
- 1/2N NOZZLE ASSEMBLY (419334)
- 3N NOZZLE ASSEMBLY (419338)
- 245 NOZZLE ASSEMBLY (419340)
- 230 NOZZLE ASSEMBLY (419339)
- 2120 NOZZLE ASSEMBLY (419343)
- 290 NOZZLE ASSEMBLY (419342)
- 260 NOZZLE ASSEMBLY (419341)
- 28 DETECTOR BRACKET
- 29 LOW TEMP FUSIBLE LINK
- 30 HIGH TEMP FUSIBLE LINK
- MGV MECHANICAL GAS VALVE
- EGV ELECTRICAL GAS VALVE
- 34 REMOTE MANUAL PULL STATION
- S SWIVEL ADAPTOR

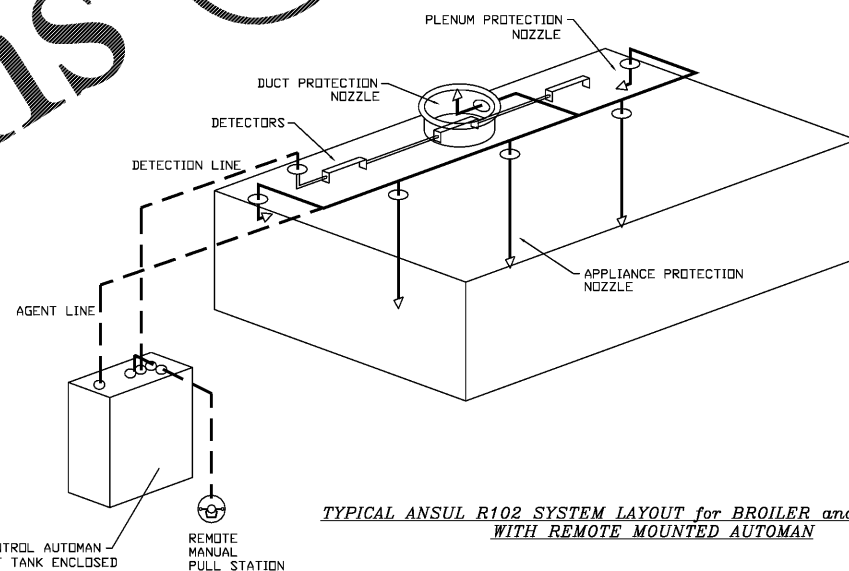
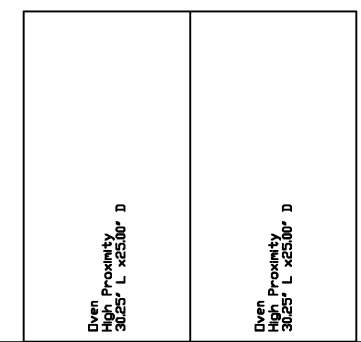
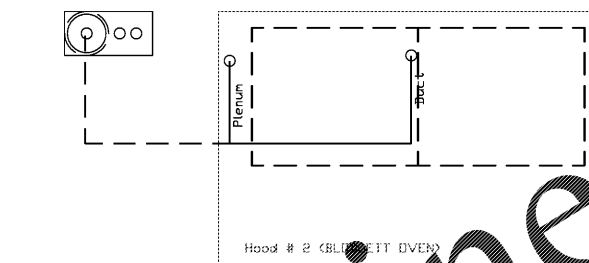
NOZZLE MUST BE LOCATED 20" ABOVE TOP OF APPLIANCE, 6.5" BACK FROM FRONT EDGE OF APPLIANCE AND AIMED AT CENTER OF OPENING.

EXACT PIPING DEPENDS ON BROILER PLACEMENT UNDER HOOD



- NOTES
- FIELD PIPE DROPS AS SHOWN
  - SLEEVING, ELBOWS, TEES, AND NOZZLES SUPPLIED BY CAS
  - RELOCATE NOZZLES IF FLOW PATTERN IS BLOCKED BY SHELVE, SALAMANDERS, ETC.
  - MAXIMUM 9 ELBOWS IN SUPPLY LINE.
  - MINIMUM 72 INCHES OF AGENT LINE FROM TANK TO FIRST NOZZLE.
  - IF APPLICABLE, PRE-PIPED CHARBROILER DROPS ARE SHIPPED LOOSE.
  - FACTORY PIPING EXTENDS A MAXIMUM OF 6' ABOVE THE TOP OF THE HOOD.
- APPLIANCE DIMENSIONS LISTED REPRESENT THE COOKING SURFACE SIZE, NOT THE OVERALL APPLIANCE SIZE.
- THIS FIRE SYSTEM COMPLIES WITH U.L. 300 REQUIREMENTS

Drawn By:  
System Size: ANSUL-1.5 Total FP required: 2  
Hood # 2 5' 1.00' Long x 48' Wide x 24' High  
Riser # 1 Size: 8" Dia.  
Hood # 2 Metal Blow-Off Caps included.



TYPICAL ANSUL R102 SYSTEM LAYOUT for BROILER and OVEN HOODS WITH REMOTE MOUNTED AUTOMAN

THIS DRAWING IS PROVIDED FOR REFERENCE ONLY. HOOD CONTRACTOR SHALL SELECT AND CERTIFY ALL EXHAUST/M.U. AIR FANS. ALL SYSTEMS SHALL MEET ALL APPLICABLE REQUIREMENTS OF STATE AND LOCAL CODES AND OTHER REQUIREMENTS AS SHOWN IN DESIGN DRAWINGS.

REVISIONS	
NO.	DESCRIPTION

DATE: 2/24/2017

DWG.#: 2933344

DRAWN BY: RDR

SCALE: 3/4" = 1'-0"

MASTER DRAWING

SHEET NO. 3

HARDEES T31-MT 4F BATESBURG/LEESVILLE SC  
BATESBURG/LEESVILLE, SC,

417 North St. Logansport, IN 46947 PHONE: (855) 534-4822 FAX: (774) 722-7213 EMAIL: dam@captivewire.com

**CAPTIVE**  
National Accounts

NO.	DESCRIPTION	DATE

HOOD DETAILS	

DATE: 2-28-17

SHEET NUMBER: H3

NRD Project # 16399

Hardee's Restaurant  
A CHRYSLER & FORD ASSOCIATES  
2500 CARROLLWOOD MILL RD. SUITE 115  
MERRISVILLE, NORTH CAROLINA 27560  
PH: 919 584 7251 Fax: 919 584 9269  
A Division of F&W Associates

**Hardee's**  
CHARBROILER SYSTEMS  
HARDEE'S T24KE PROTOTYPE  
143 CHURCH STREET  
BATESBURG/LEESVILLE, SOUTH CAROLINA 29804