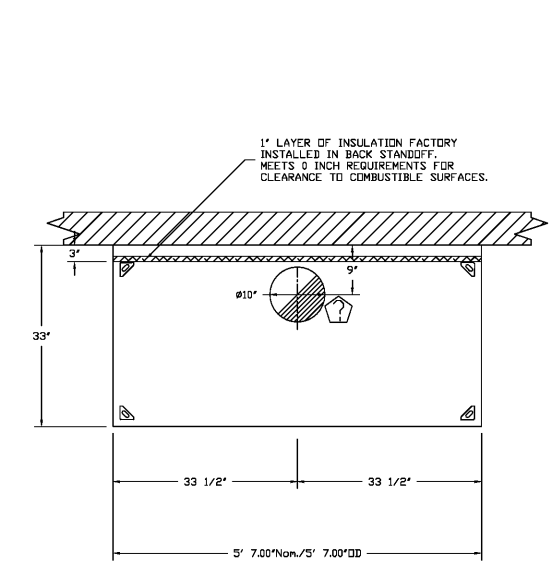
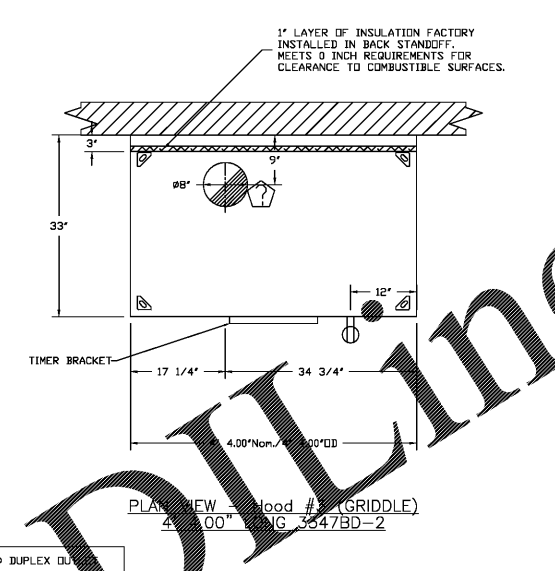


PLAN VIEW - Hood #2 (BLODGETT OVEN)  
5' 10.00\"/>

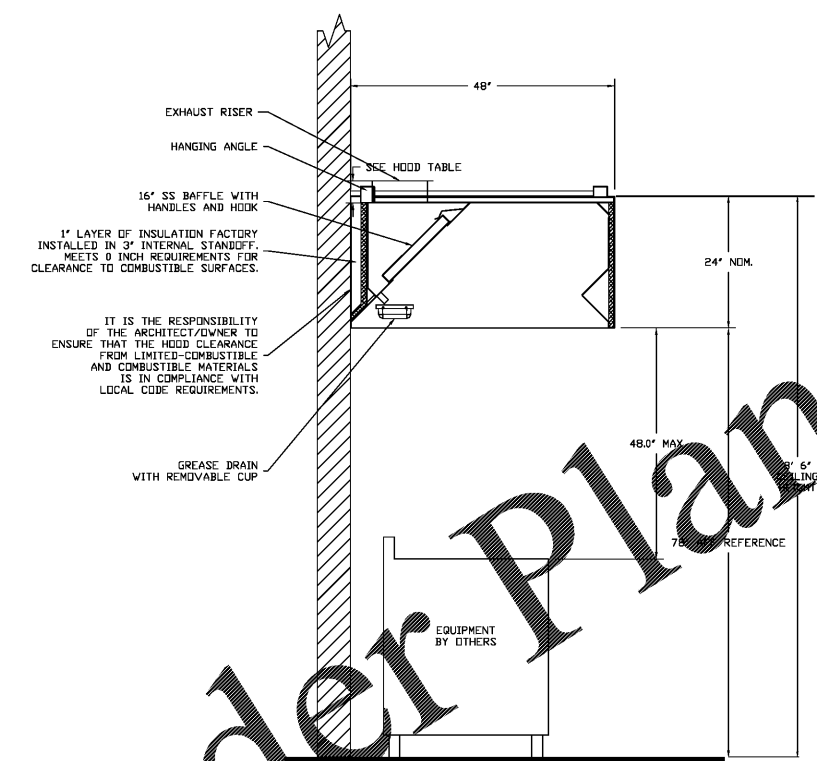


PLAN VIEW - Hood #4 (FRYER)  
5' 7.00\"/>

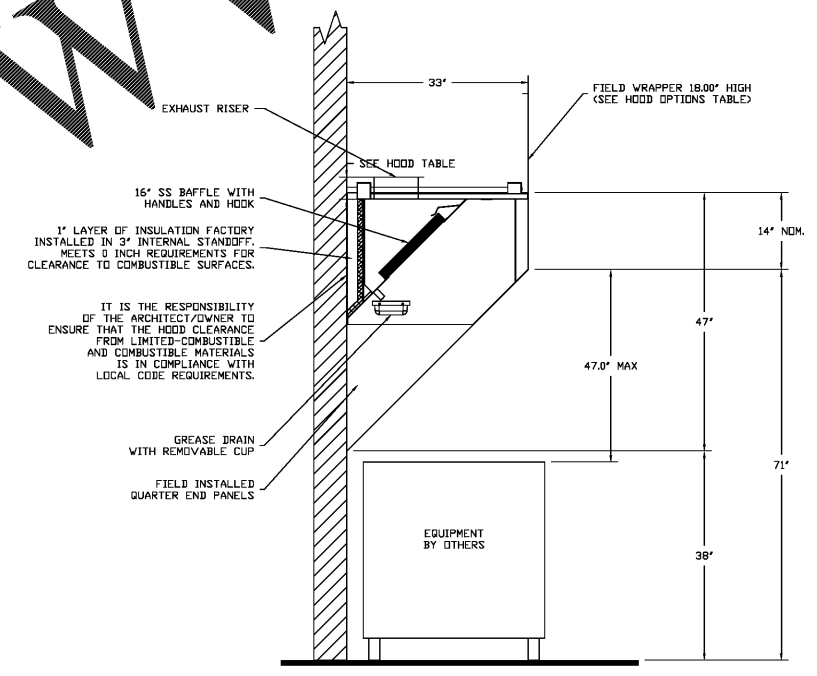


PLAN VIEW - Hood #3 (GRIDDLE)  
4' 10.00\"/>

VERIFY NEEDED EXHAUST RISER LOCATIONS



SECTION VIEW - MODEL 4824ND-2  
HOOD - #2 (BLODGETT OVEN)



SECTION VIEW - MODEL 3347BD-2  
HOODS - #3 & #4 (GRIDDLE AND FRYER)

**\*\*END PANELS TO SHIP LOOSE WITH NECESSARY HARDWARE TO BE INSTALLED IN THE FIELD\*\***

REVISIONS	
NO.	DATE

**CAPTIVE**  
National Accounts  
417 North St. Logansport, IN 46847 PHONE: (855) 534-4822 FAX: (874) 722-7213 EMAIL: dan@captivem.com

HARDEES T31-MT 4F BATESBURG/LEESVILLE SC  
BATESBURG/LEESVILLE, SC,

DATE: 2/24/2017

DWG.#: 2933344

DRAWN BY: RDR

SCALE: 3/4\"/>

MASTER DRAWING

SHEET NO.  
2

NO.	DESCRIPTION	DATE

DRAWN BY	CHECKED BY	APPROVED BY

CKE SITE ID:

DATE: 2-28-17

SHEET NUMBER:

**H2**

NRD Project # 16399

ARCHITECTS & ENGINEERS  
JEN CARPENTIER MILLER ARCHITECTS  
1000 W. BROADWAY, SUITE 1100  
MEMPHIS, TN 38102  
PH: 901.598.7252 FAX: 901.584.9259  
A Division of L&L Architects

HARDEE'S T34KE PROTOTYPE  
143 CHURCH STREET  
BATESBURG/LEESVILLE SOUTH CAROLINA 29664

**Order Plans**

THIS DRAWING IS PROVIDED FOR REFERENCE ONLY. HOOD CONTRACTOR SHALL SELECT AND CERTIFY ALL EXHAUST/M.U. AIR FANS. ALL SYSTEMS SHALL MEET ALL APPLICABLE REQUIREMENTS OF STATE AND LOCAL CODES AND OTHER REQUIREMENTS AS SHOWN IN DESIGN DRAWINGS.