

**GENERAL NOTES**

THIS DRAWING IS PROVIDED FOR REFERENCE ONLY. G.C. SHALL OBTAIN SITE SPECIFIC SHOP DRAWINGS FROM THE VENDOR/SUB-CONTRACTOR FOR CONSTRUCTION AND SHALL COORDINATE ALL APPLICABLE BUILDING ELEMENTS FROM SHOP DRAWINGS.

NRD Project # 16399

**national restaurant designers**  
**INRDC**  
**ARCHITECTS & ENGINEERS**  
 3005 CARRINGTON MILL BLVD. SUITE 105  
 CHARLOTTE, NORTH CAROLINA 28205  
 PH: 919.544.7251 FAX: 919.544.9393  
 A Division of LMHT Associates

STATE OF SOUTH CAROLINA  
 REGISTERED PROFESSIONAL ARCHITECT  
 GLEN I. HERRMANN  
 License No. 6820

**Hardee's**  
 HARDEE'S TRADE PROTOTYPE  
 148 CHURCH STREET  
 BATESBURG-LEESVILLE, SOUTH CAROLINA, 29024

| NO. | REVISIONS | DESCRIPTION | DATE |
|-----|-----------|-------------|------|
|     |           |             |      |

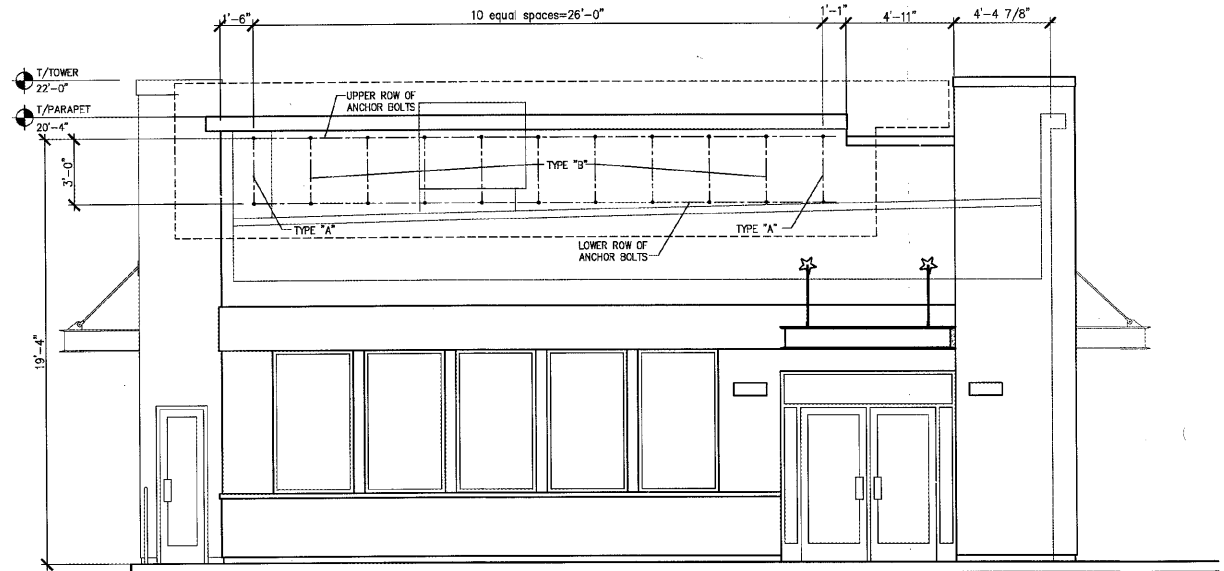
**FRONT CURVED FASCIA**

DRAWN BY: [ ]  
 CHECKED BY: [ ]  
 DESIGNED BY: [ ]  
 APPROVED BY: [ ]

CKE SITE ID: [ ]

DATE: 2-28-17

SHEET NUMBER: **A17**

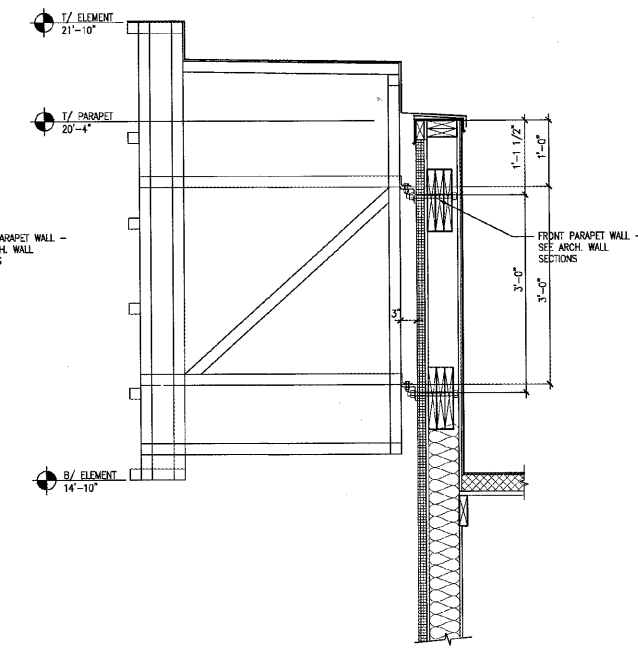
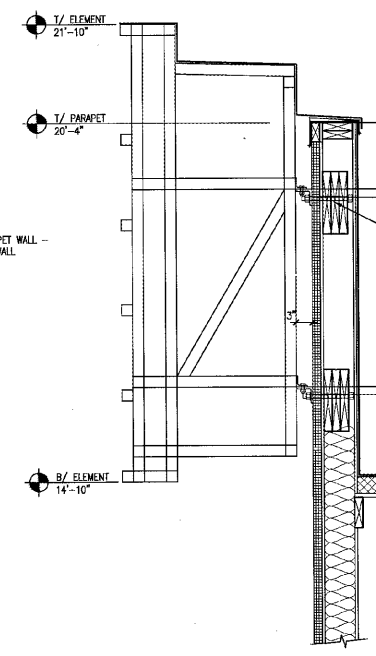
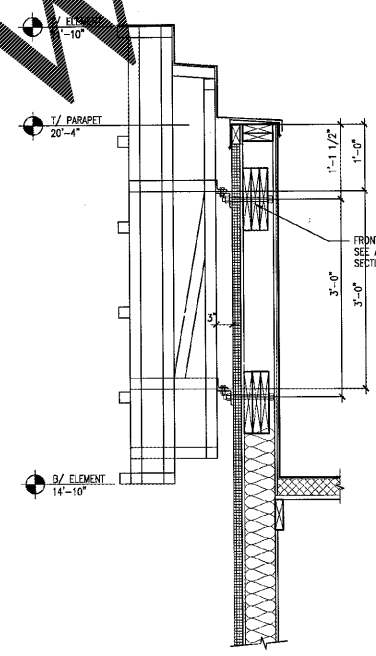
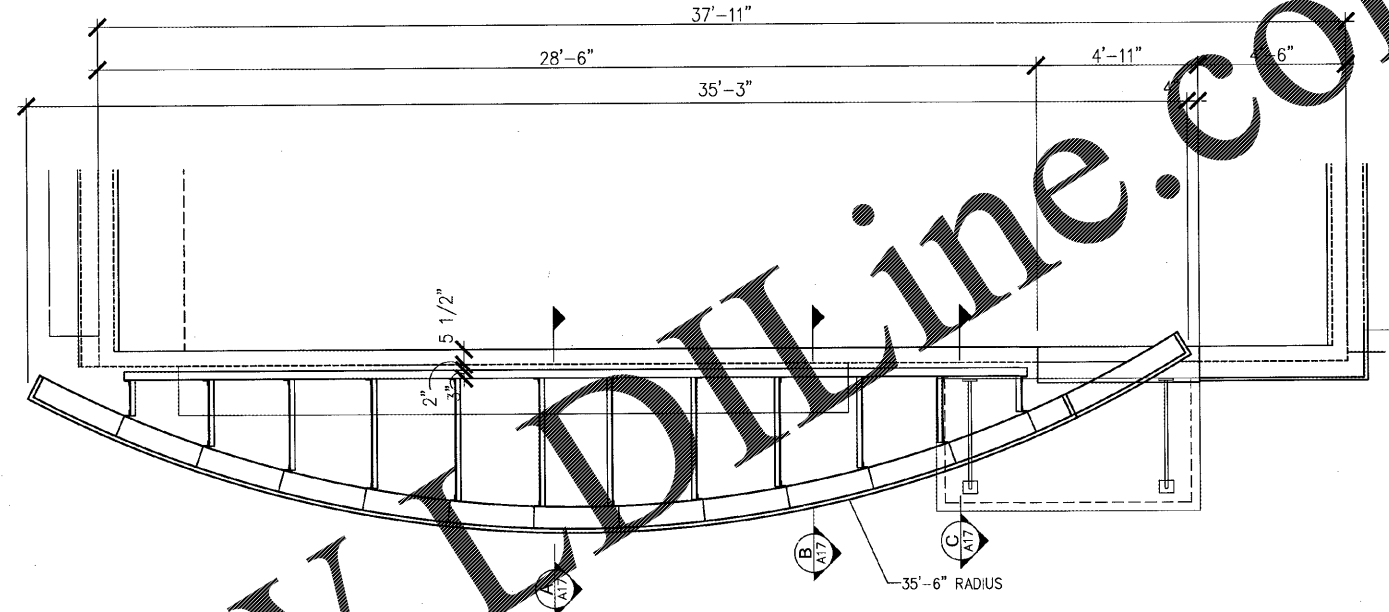


- REACTION NOTES:**
1. Reactions were determined in accordance with ASCE 7-10.
  2. Load Factors Used: 1.0(W), 1.0(L), 1.0(D)
  3. Wind: V = 140 mph, Risk Category = II, Exposure = C, Components and Cladding
  4. Roof Live = 20 psf

**FASCIA SYSTEM THROUGH-BOLT REACTIONS**

| ATTACHMENT       | DEAD   |         | ROOF LIVE |         | WIND (away/toward) |   | WIND (side/side) |   |
|------------------|--------|---------|-----------|---------|--------------------|---|------------------|---|
|                  | Y      | Z       | Y         | Z       | Y                  | Z | Y                | Z |
| TYPE "A" (Upper) | 320 lb | 410 lb  | 130 lb    | 130 lb  | +/- 1,600 lb       |   | +/- 200 lb       |   |
| TYPE "A" (Lower) | 320 lb | -410 lb | 130 lb    | -130 lb | +/- 1,600 lb       |   | +/- 200 lb       |   |
| TYPE "B" (Upper) | 240 lb | 310 lb  | 100 lb    | 100 lb  | +/- 1,200 lb       |   | +/- 200 lb       |   |
| TYPE "B" (Lower) | 240 lb | -310 lb | 100 lb    | -100 lb | +/- 1,200 lb       |   | +/- 200 lb       |   |

Attachment Locations And Reactions



Order Plans @

WWW.LDLine.com