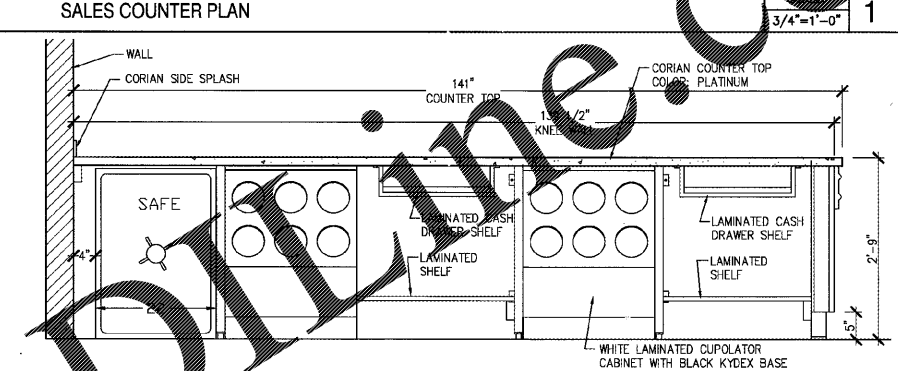
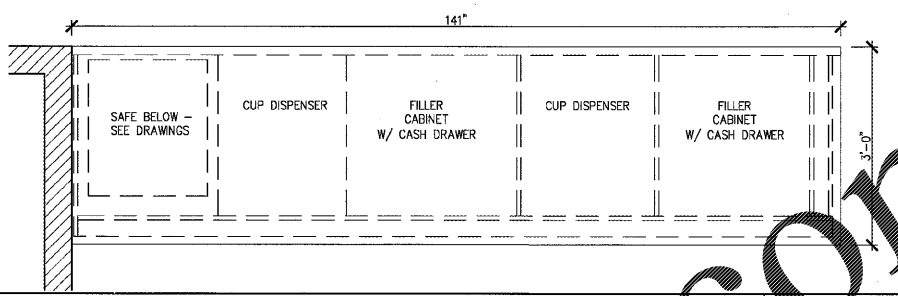
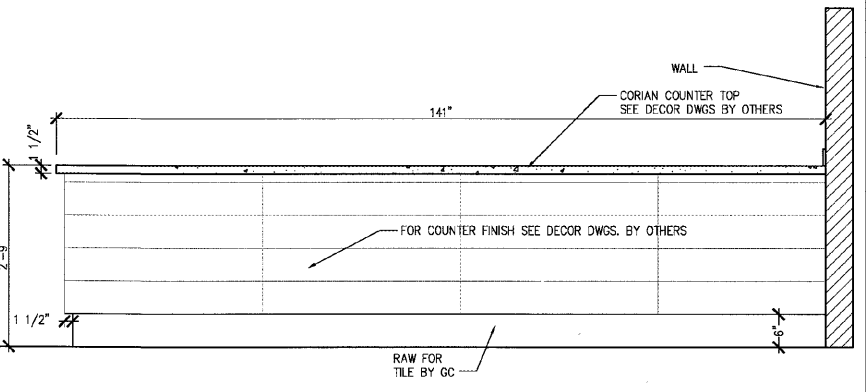
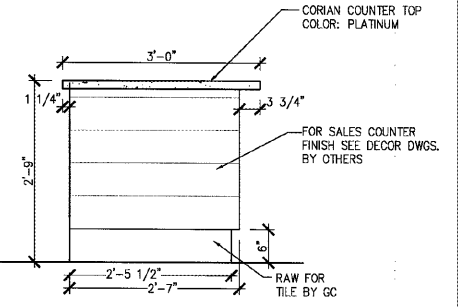


INSTRUCTIONS:

- 1) FSC COUNTER SCRIBE AND FIT MEASURE SERVICE COUNTER AREA IN STORE AND SUBTRACT 3/4" FOR THE CHAIR RAIL AND 36" FOR THE WALK THROUGH OPENING (CHECK FLOOR PLAN FOR NON-STANDARD WALK THROUGH SPACE). THIS DIMENSION WILL IDEALLY BE YOUR COUNTER TOP LENGTH. DUE TO THE POSSIBILITY OF WALLS BEING OUT OF PLUMB OR A DIMENSION NOT BEING CORRECT, WE ADD SCRIBE TO THE COUNTER TOP, KNEE WALL, AND FSC STAINLESS STEEL SKIRT. NORMALLY THERE WILL BE 3" OF SCRIBE ADDED BUT THIS WILL VARY DUE TO MATERIAL YIELD. THE G.C. IS RESPONSIBLE FOR CUTTING THE COUNTER TO THE CORRECT LENGTH AND LEAVING THE CORRECT WALK THROUGH OPENING. STAINLESS STEEL SKIRT HAS HOLES IN THE TOP AND BOTTOM LIPS, SECURE WITH SCREWS.
- 2) REMOVE FLOOR CLEAT ON BOTTOM OF WALL BY LOSING SCREWS AND ATTACH CLEAT TO FLOOR WITH MASONRY SCREWS. SET WALL ON CLEAT AND ATTACH FROM FRONT AND BACK.
- 3) CASH DRAWER SHELF MOUNTING LOCATE CASH DRAWER SHELVES TO MATCH ELEVATION. ATTACH WITH WOOD SCREWS TO THE SUB TOP. SCREWS MUST BE NO LONGER THAN 1 1/2" AND NO SHORTER THAN 1 1/2".
- 4) H-FRAME MOUNTING LOCATE H-FRAMES PER ELEVATION AND ATTACH TO KNEE WALL AND FSC SUB TOP. SCREWS IN SUB TOP CAN BE NO LONGER THAN 1 1/2" AND NO SHORTER THAN 1 1/2" (2" PREFERRED).
- 5) LAMINATED SHELF MOUNTING LAMINATED SHELVING IS PROVIDED TO SET ON H-FRAME BOTTOM RAIL. THE SHELVING WILL BE SENT IN ONE LONG PIECE. CUT TO FIT WHERE NEEDED. A LAMINATED CLEAT IS PROVIDED TO ATTACH TO RETURN SECTION OF KNEE WALL TO SUPPORT THE LAMINATED SHELF ON THAT END. LOCATE CLEAT AT SAME HEIGHT AS THE TOP OF THE BOTTOM RAIL ON NEAREST H-FRAME AND ATTACH WITH 2" OR 3" SCREWS. IF THE SHELF NEEDS TO BE ATTACHED TO THE H-FRAMES USE SELF DRILLING SCREWS AND/OR SILICONE. G.C. IS RESPONSIBLE FOR SECURING SHELVING.

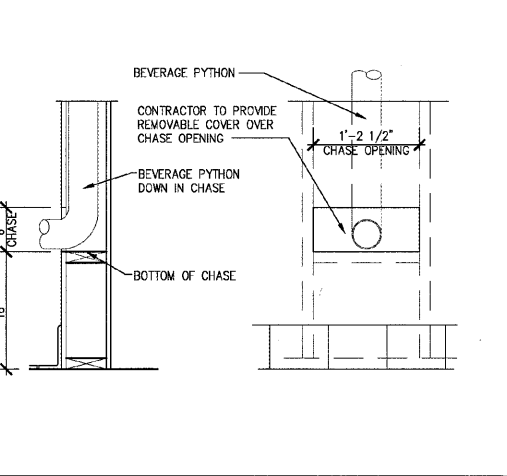


SALES COUNTER NOTES SCALE: NTS 14

SALES COUNTER SIDE ELEVATION SCALE: 3/4"=1'-0" 10

SALES COUNTER FRONT ELEVATION SCALE: 3/4"=1'-0" 6

SALES COUNTER REAR ELEVATION SCALE: 3/4"=1'-0" 2



ITEM # 12 BEVERAGE

TOP : 14 GA. S/S ALL WELDED CONSTRUCTION W/ INTEGRAL TURNED UP REAR ENDS, TURNED DOWN W/ FRONT ROLLED. PROVIDE INTERNAL INSULATION, DRAIN TROUGH AS SPECIFIED BELOW. ALSO PROVIDE UTILITY COVER IN TOP WHERE NOTED.

DRAIN TROUGH : 16 GA. S/S ALL WELDED CONSTRUCTION. INTEGRAL TOP. EXTERIOR VERTICAL CORNERS COVERED TO 1/4" RADIUS. ALL HORIZONTAL CORNERS ROUNDED TO 1/8" RADIUS. MINIMUM DEPTH TO BE 4" PITCH TO CENTER. FIT W/ 3/4" O.D. x 3" LONG THREADED S/S DRAIN NIPPLE WELDED TO BOTTOM. PROVIDE S/S REMOVABLE ICE DRAINER AS DETAILED. PROVIDE REMOVABLE S/S WIRE GRID DRAINER PLATE RESTING ON RECESSED TURN-IN AS DETAILED.

REINFORCING : 7" x 1 1/2" x 1/2" GALV. STEEL DOUBLE CHANNEL STUD BOLTED TO UNDERSIDE OF TOP WHERE NOTED. CHECK WELD ENDS TO BODY FOR ADDITIONAL SUPPORT.

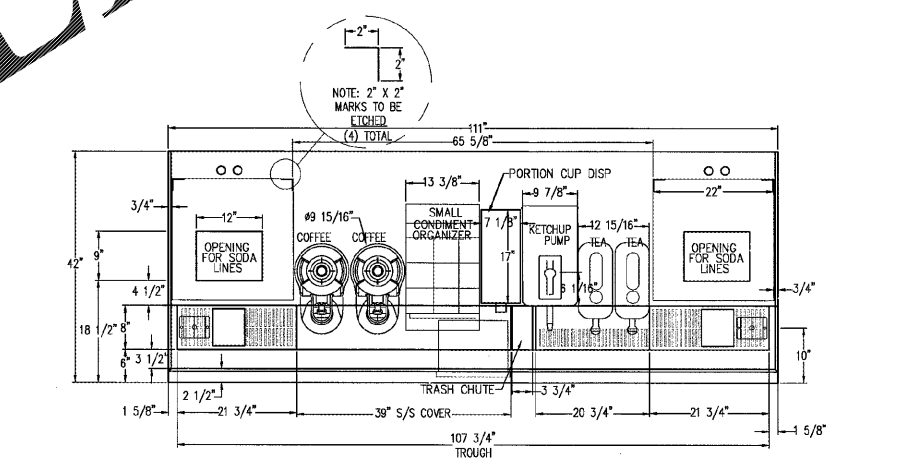
BODY : TUBING FRAME W/ 3/4" TYP. GRADE PLYWOOD FRONT, SIDES TO BE STAINLESS STEEL, AS NOTED.

UNDERSHELF : 16 GA. GALV. STEEL TAC-WELDED AT REAR AND SIDES AND SEALED W/ GREY RTV SEALANT.

FRONT PANEL : COORDINATE FRONT PANEL FINISH W/ DECOR DWGS. BY OTHERS\

BASE : TO BE REMOVABLE. NO LEGS

NOTES : ALL S/S TO BE TYPE #304.
ALL S/S TO BE POLISHED ON EXTERIOR TO #4 FINISH
ALL UNDRIPPED WELDS TO BE COATED W/ ALUMINUM PAINT
ALL METAL EDGES TO BE FILED SMOOTH.
DEBURR ALL EDGES AND ROUND ALL SHARP CORNERS

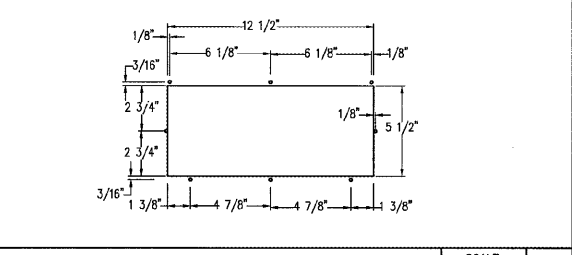
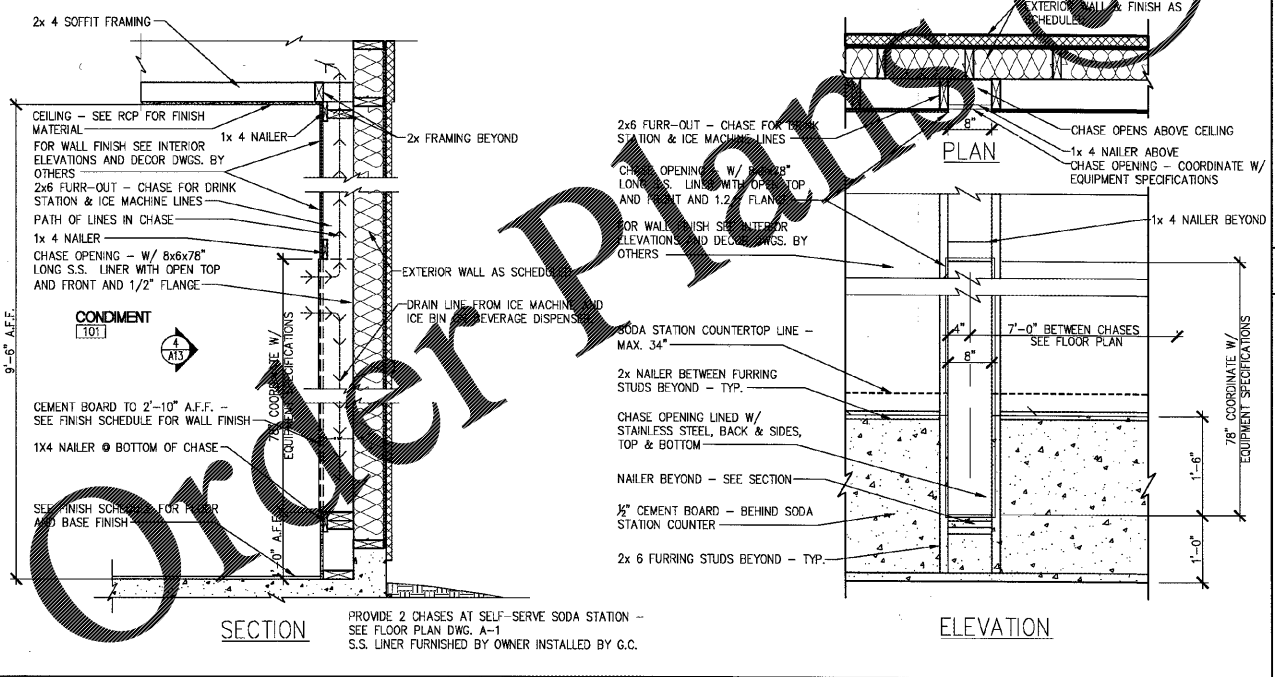


D/T DRINK PYTHON CHASE SCALE: 1 1/2"=1'-0" 15

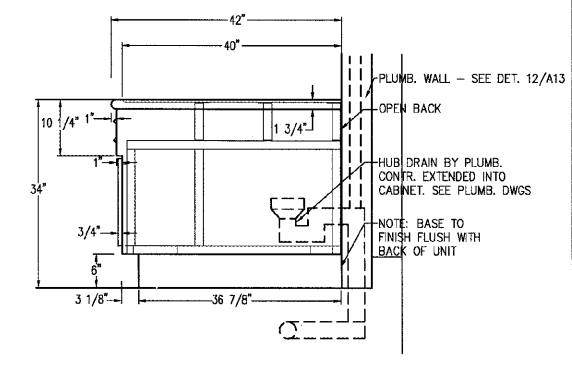
NOT USED SCALE: 1 1/2"=1'-0" 11

SELF SERVE DRINK STATION NOTES SCALE: NTS 7

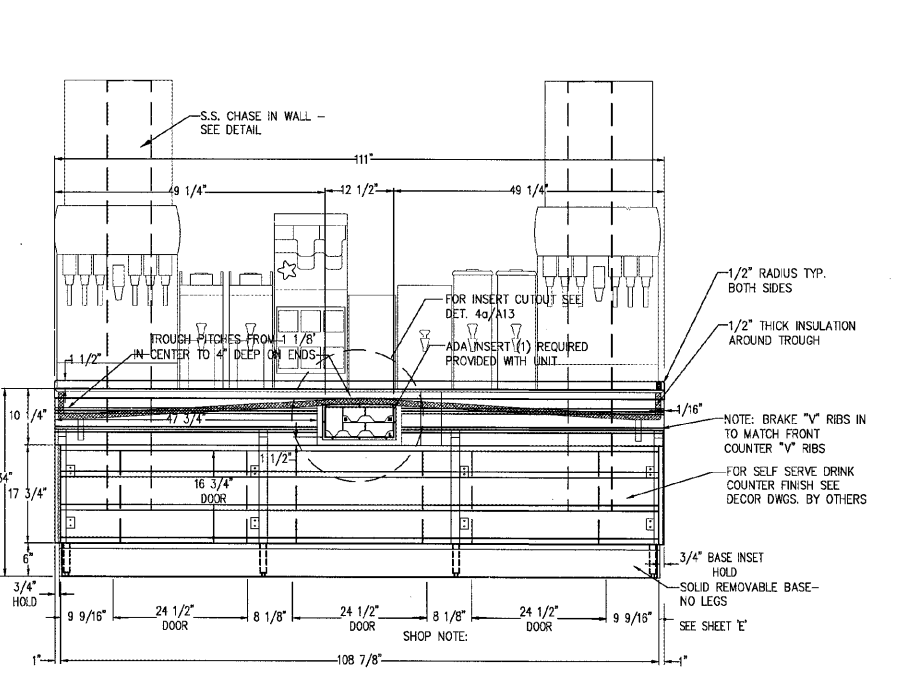
SELF SERVE DRINK STATION PLAN SCALE: 3/4"=1'-0" 3



ADA INSERT CUTOUT AT DRINK STATION SCALE: 3"=1'-0" 7A



SELF SERVE DRINK STATION SIDE ELEVATION SCALE: 3/4"=1'-0" 8



SELF SERVE DRINK STATION FRONT ELEVATION SCALE: 3/4"=1'-0" 4

NRD national restaurant designers
ARCHITECTS & ENGINEERS
 3005 CARRINGTON MILL BLVD. SUITE 105
 MORRISVILLE, NORTH CAROLINA 27560
 PH: 919 544 7251 FAX: 919 544 9399
 A Division of LMHT Associates

STATE OF SOUTH CAROLINA
 GLEN LETHBRIDGE, INC.
 REGISTERED ARCHITECT
 No. 6288

Starbuck's
 HARDEE'S T24KE PROTOTYPE
 143 CHURCH STREET
 DATESBOROUGH, VERMONT, SOUTH CAROLINA 29064

NO.	DATE	DESCRIPTION

NO.	DATE	DESCRIPTION

CHECK SITE ID: DATE: 2-28-17

SHEET NUMBER:

A13