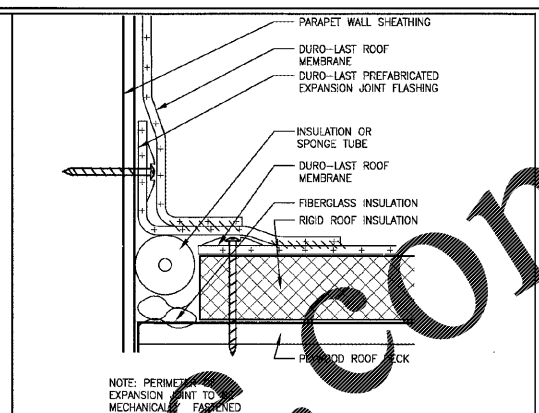


NO.	DATE	DESCRIPTION
1	06/20/16	COORDINATION

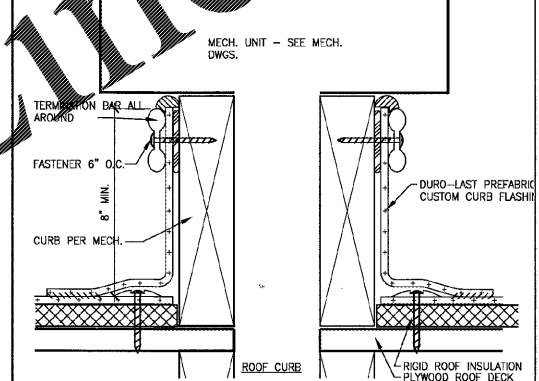
NO.	DATE	BY	CHECKED	APPROVED
1				

CHECK SITE ID: DATE: 2-28-17 SHEET NUMBER:

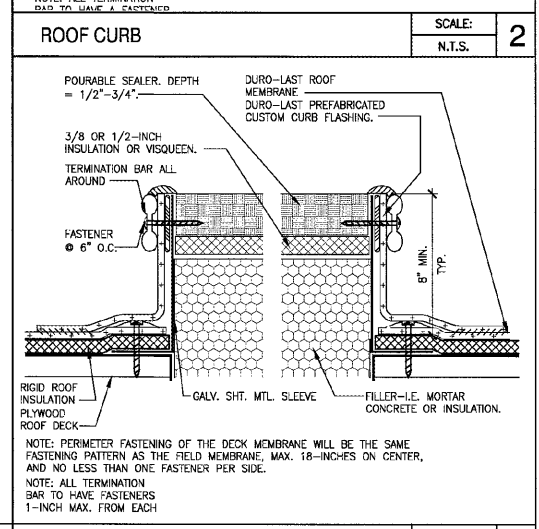
A4



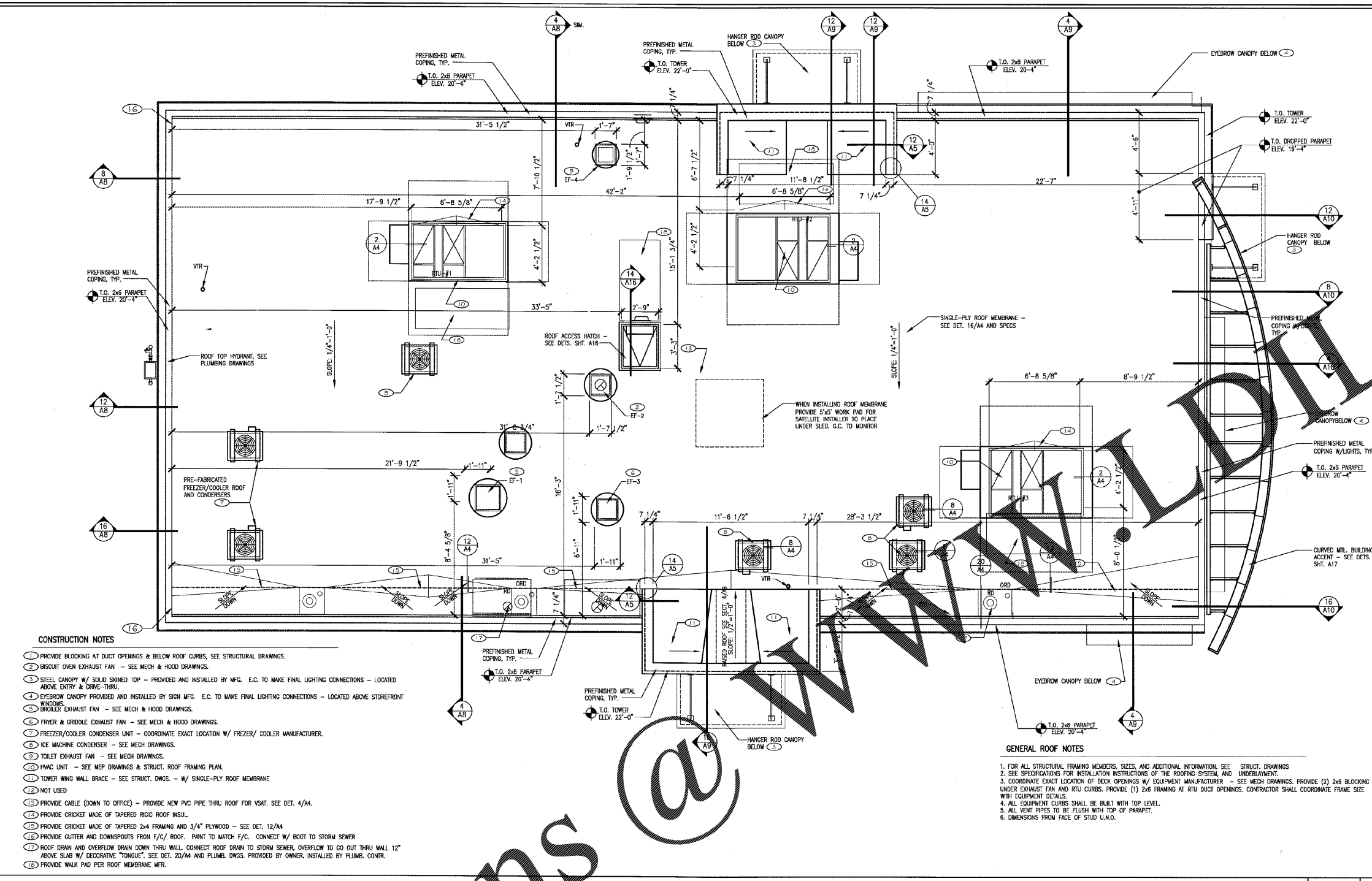
DURO-LAST PARAPET ROOF DETAIL SCALE: 1 N.T.S.



ROOF CURB SCALE: 2 N.T.S.

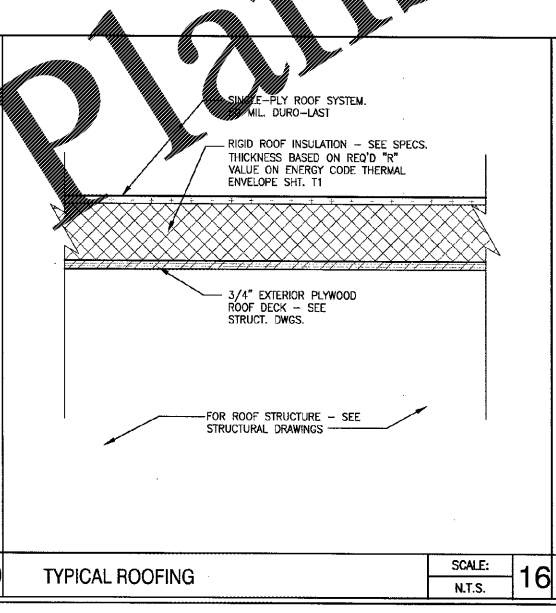


PITCH POCKET SCALE: 3 N.T.S.

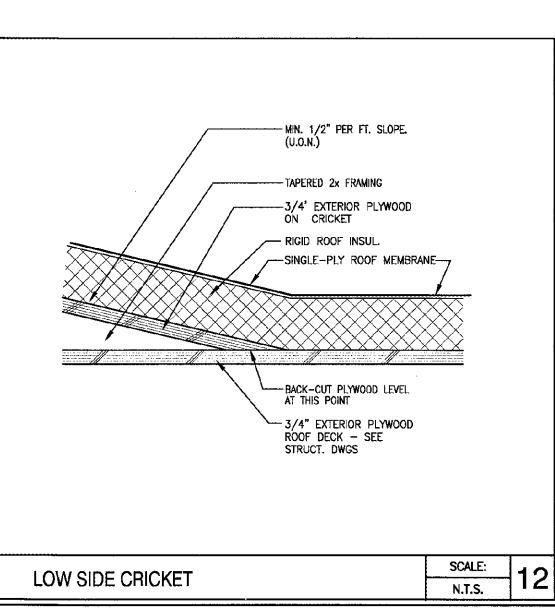


- CONSTRUCTION NOTES**
- PROVIDE BLOCKING AT DUCT OPENINGS & BELOW ROOF CURBS, SEE STRUCTURAL DRAWINGS.
  - BISCUIT OVEN EXHAUST FAN - SEE MECH & HOOD DRAWINGS.
  - STEEL CANOPY W/ SOLID SKINED TOP - PROVIDED AND INSTALLED BY MFG. E.C. TO MAKE FINAL LIGHTING CONNECTIONS - LOCATED ABOVE ENTRY & DRIVE-THRU.
  - EYEBROW CANOPY PROVIDED AND INSTALLED BY SIGN MFG. E.C. TO MAKE FINAL LIGHTING CONNECTIONS - LOCATED ABOVE STOREFRONT WINDOWS.
  - BROILER EXHAUST FAN - SEE MECH & HOOD DRAWINGS.
  - FRYER & GRIDDLE EXHAUST FAN - SEE MECH & HOOD DRAWINGS.
  - FREEZER/COOLER CONDENSER UNIT - COORDINATE EXACT LOCATION W/ FREEZER/ COOLER MANUFACTURER.
  - ICE MACHINE CONDENSER - SEE MECH DRAWINGS.
  - TOILET EXHAUST FAN - SEE MECH DRAWINGS.
  - HVAC UNIT - SEE MEP DRAWINGS & STRUCT. ROOF FRAMING PLAN.
  - TOWER WING WALL BRACE - SEE STRUCT. DWGS. - W/ SINGLE-PLY ROOF MEMBRANE
  - NOT USED
  - PROVIDE CABLE (DOWN TO OFFICE) - PROVIDE NEW PVC PIPE THRU ROOF FOR VSAT. SEE DET. 4/M.
  - PROVIDE CRICKET MADE OF TAPERED RIGID ROOF INSUL.
  - PROVIDE CRICKET MADE OF TAPERED 2x4 FRAMING AND 3/4\"/>

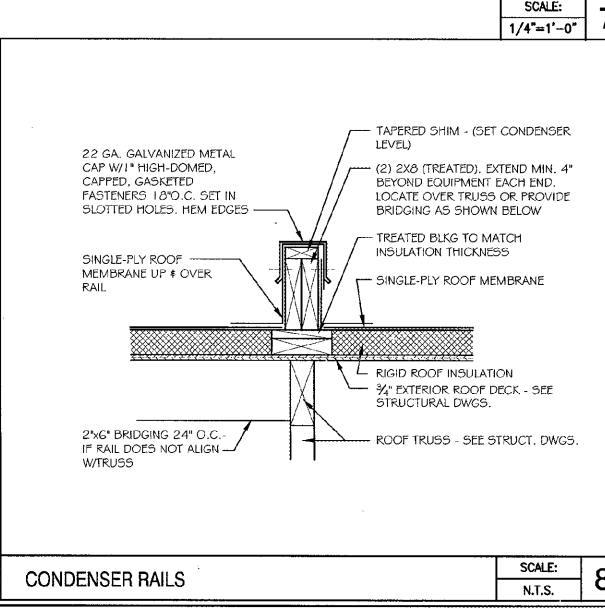
ROOF PLAN SCALE: 1/4\"/>



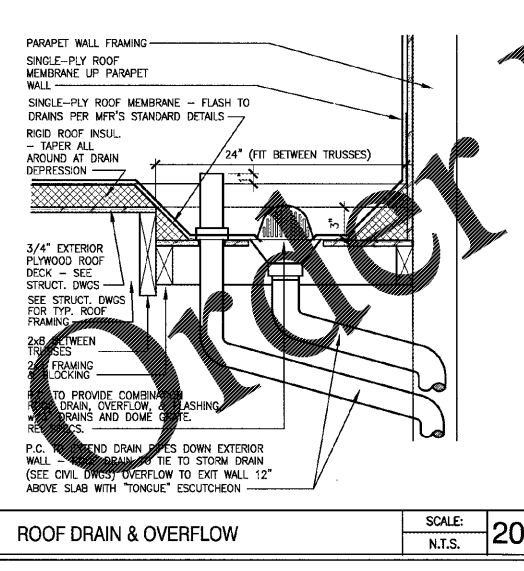
TYPICAL ROOFING SCALE: 16 N.T.S.



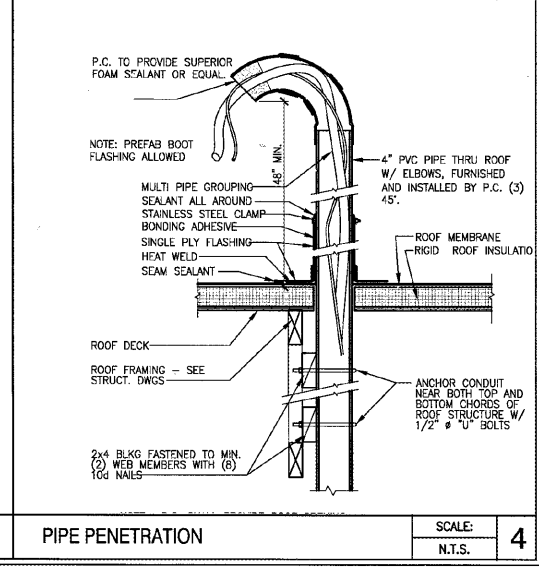
LOW SIDE CRICKET SCALE: 12 N.T.S.



CONDENSER RAILS SCALE: 8 N.T.S.



ROOF DRAIN & OVERFLOW SCALE: 20 N.T.S.



PIPE PENETRATION SCALE: 4 N.T.S.