

NO.	DATE

REVISIONS	DESCRIPTION

CHECK SITE ID: _____
 DATE: 2-28-17

SHEET NUMBER:
A3

MARK	SYMBOL	MODEL#
A LED	⊗	LJT24-40VLG-FSA12-EU
E LED	⊗	LJT22-40MLG-FSA12-EU
E1	⊗	LJT22-40MLG-FSA12-EU-GFK22
F	⊗	23425/ALU-OPL
F LED	⊗	SLS-H7110C-101-L
G	⊗	CYLINDER PENDANT LIGHT
H LED	⊗	SL6LED1K-35K-WH/DBXQL
I LED	⊗	SL6LED1K-35K-WH/DBXQL
J LED	⊗	SL6LED1K-35K-WH/DBXQL
L	⊗	CORS
L3	⊗	CU2RCS

FOR COMPLETE LIGHT FIXTURE SCHEDULE SEE SHEET E2

LEGEND

NOTES

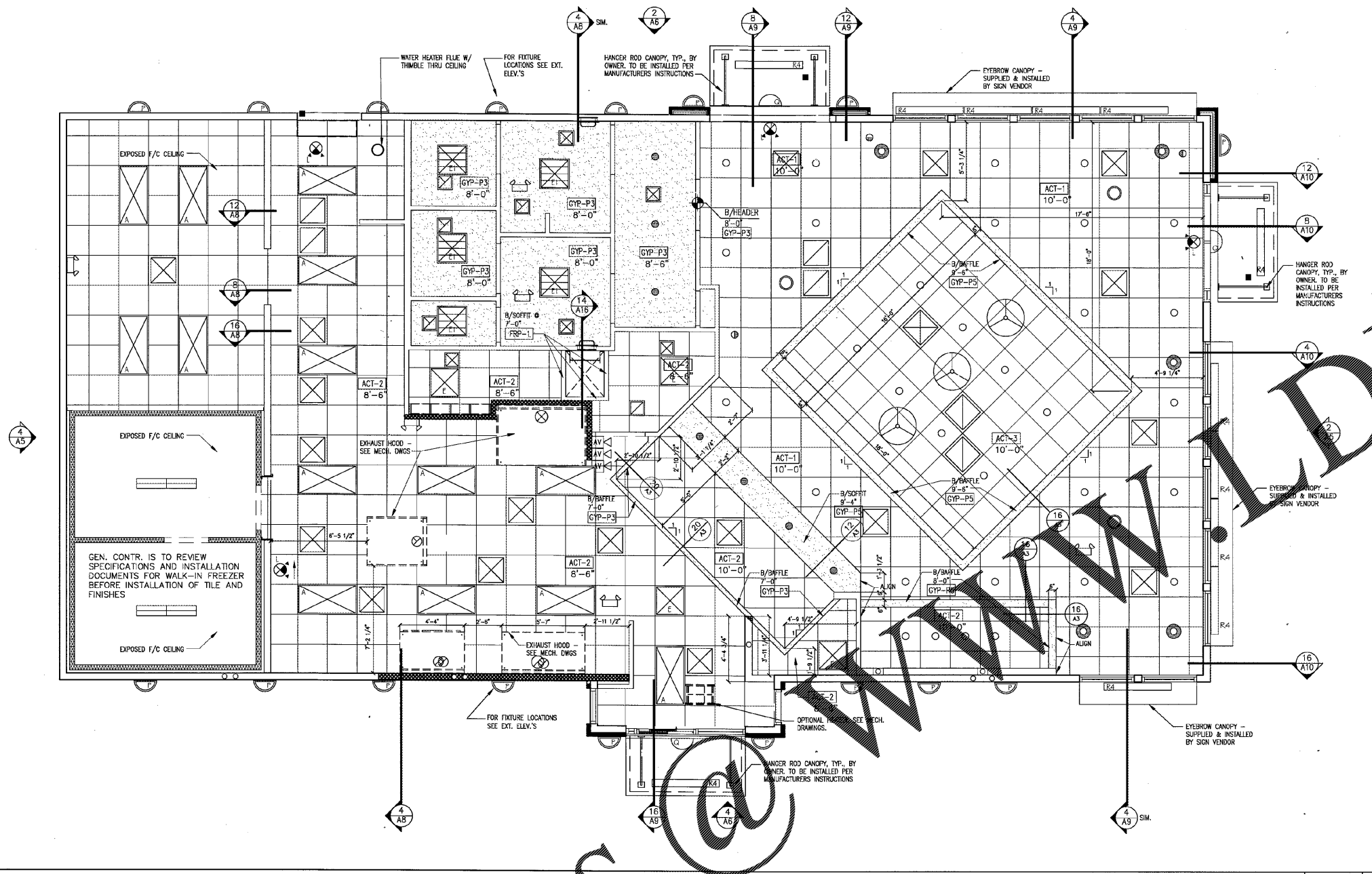
- LOWERS AND PANEL FRONTS SHALL BE SPRAY PAINTED TO MATCH ADJACENT SURFACES, INCLUDING FACTORY FINISHED ITEMS. NO BRUSH PAINTING OF THESE ITEMS WILL BE PERMITTED.
- ALL EXPOSED GYPSUM BOARD SHALL BE SEALED WITH ONE COAT OF SEALER AND FOLLOWED BY TWO COATS SEMI-GLOSS ENAMEL WITH STIPPLED FINISH. (SEE SPECS.)
- FOR DETAILS NOT CALLED OUT ON REFLECTED CEILING PLAN, SEE INTERIOR ROOM ELEVATIONS.
- CEILING HEIGHTS SHOWN ARE FROM FINISHED CEILING SURFACE TO CONCRETE SLAB.
- LOCATE ALL LIGHTS AND CEILING REGISTERS AS SHOWN.
- REFER TO MECH. DRAWINGS FOR ALL REGISTERS AND DIFFUSERS.
- REFER TO ELEC. DRAWINGS FOR ALL LIGHTING FIXTURES.

LIGHTING FIXTURES

- ALL LIGHTING FIXTURES SHALL BE POSITIVELY ATTACHED TO THE SUSP. CEILING SYSTEM. THE ATTACHMENT DEVICE SHALL HAVE A CAPACITY OF 100% OF THE LIGHTING FIXTURE WEIGHT ACTING IN ANY DIRECTION. NO. 12 GA. HANGERS SHALL BE ATTACHED TO THE GRID MEMBERS WITHIN 3" OF EACH CORNER OF EACH FIXTURE. TANDUM FIXTURES MAY UTILIZE COMMON WIRES.
- LIGHTING FIXTURES WEIGHING LESS THAN 50 LBS. SHALL HAVE, IN ADDITION TO THE REQUIREMENTS OUTLINED ABOVE, TWO NO. 12 GA. HANGERS CONNECTED FROM THE FIXTURE HOUSING TO THE STRUCTURE ABOVE. THESE WIRES MAY BE SLACK.
- LIGHTING FIXTURES 50 LBS. OR MORE SHALL BE SUPPORTED DIRECTLY FROM THE STRUCTURE ABOVE BY APPROVED HANGERS.
- PENDANT-HUNG LIGHTING FIXTURES SHALL BE SUPPORTED DIRECTLY FROM THE STRUCTURE ABOVE USING NO. 9 GA. WIRE OR APPROVED ALTERNATE SUPPORT WITHOUT USING THE CEILING SUSPENSION SYSTEM FOR DIRECT SUPPORT.

NOTES

SYMBOL	MATERIAL	DESCRIPTION	REMARKS
ACT-1	2'x2' CEILING TILE	ARMSTRONG - GEORGIAN #764 - WHITE W/ WHITE 1/8" EXPOSED TEE SYSTEM	SEE DECOR DRAWINGS FOR ADDITIONAL INFORMATION & FINISH SPECIFICATIONS
ACT-2	2'x2' WASHABLE CEILING TILE	ARMSTRONG - CLEAN ROOM VL FIRE GUARD, SQ. END NON-PERF. PANEL WITH PRELUDE GRID WHITE	
ACT-3	2'x2' CEILING TILE	ARMSTRONG - FINE FISSURED #728 - TECH BLACK W/ BLACK 1/8" EXPOSED TEE SYSTEM	
GYP-P3	5/8" GYP BOARD CEILING	SHERWIN WILLIAMS-SW6107-NOMADIC DESERT-EGGSHELL	
GYP-P5	5/8" GYP BOARD CEILING	SHERWIN WILLIAMS-SW6601-TANAGER-EGGSHELL	

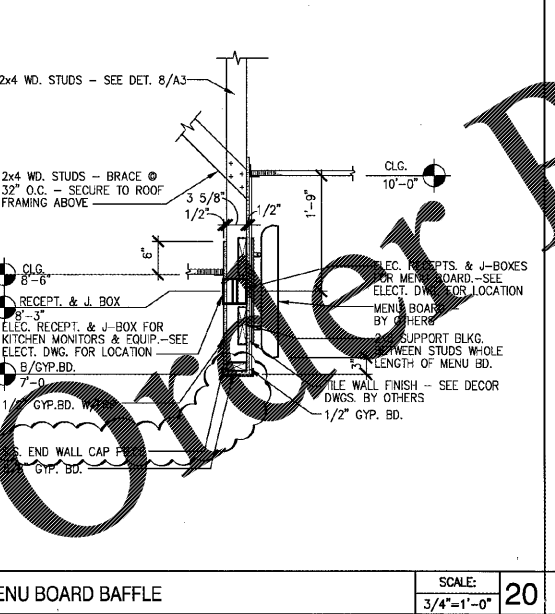


REFLECTED CEILING PLAN

SCALE: 1/4"=1'-0" 11

CEILING FINISHES SCHEDULE

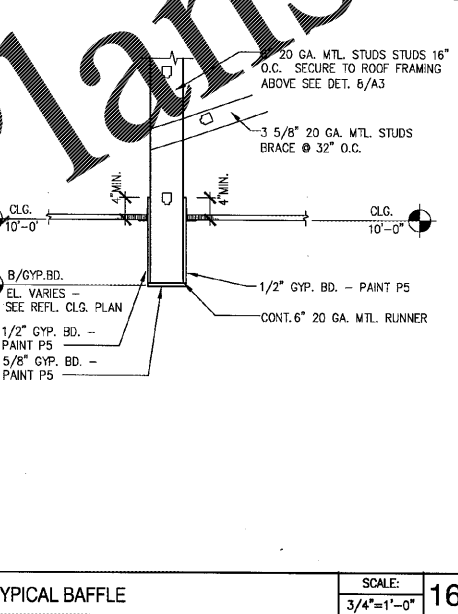
SCALE: NTS 3



MENU BOARD BAFFLE

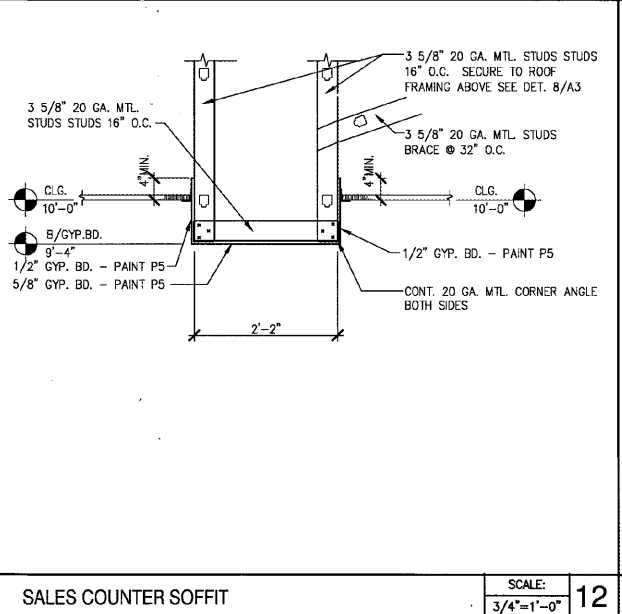
SCALE: 3/4"=1'-0" 20

TYPICAL BAFFLE



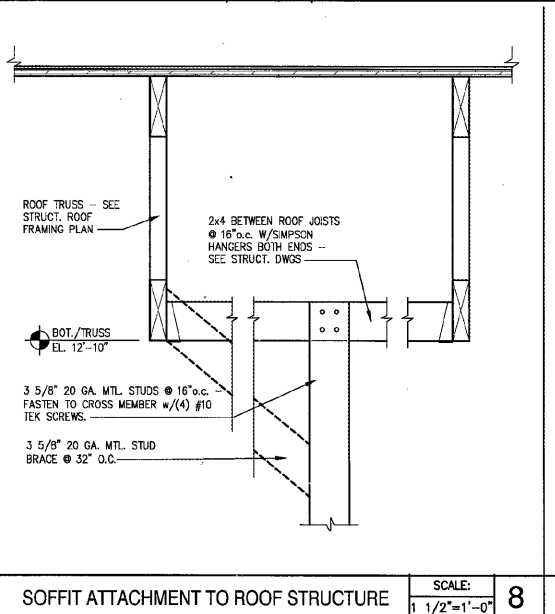
SCALE: 3/4"=1'-0" 16

SALES COUNTER SOFFIT



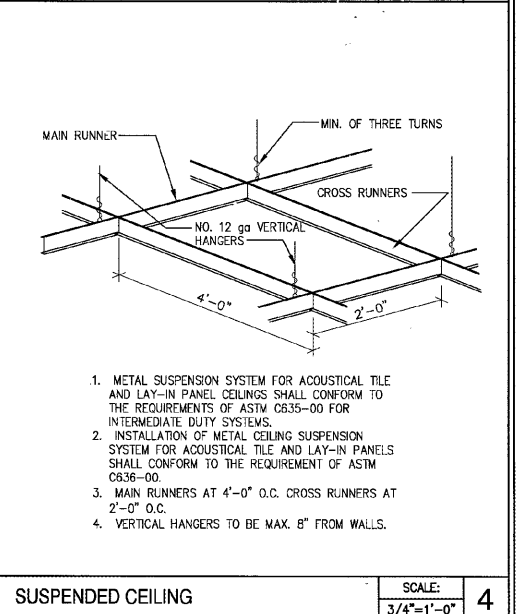
SCALE: 3/4"=1'-0" 12

SOFFIT ATTACHMENT TO ROOF STRUCTURE



SCALE: 1 1/2"=1'-0" 8

SUSPENDED CEILING



SCALE: 3/4"=1'-0" 4

- METAL SUSPENSION SYSTEM FOR ACOUSTICAL TILE AND LAY-IN PANEL CEILINGS SHALL CONFORM TO THE REQUIREMENTS OF ASTM C835-00 FOR INTERMEDIATE DUTY SYSTEMS.
- INSTALLATION OF METAL CEILING SUSPENSION SYSTEM FOR ACOUSTICAL TILE AND LAY-IN PANELS SHALL CONFORM TO THE REQUIREMENT OF ASTM C836-00.
- MAIN RUNNERS AT 4'-0" O.C. CROSS RUNNERS AT 2'-0" O.C.
- VERTICAL HANGERS TO BE MAX. 8" FROM WALLS.