

**NRD** Professional Restaurant Designers  
**ARCHITECTS & ENGINEERS**  
 3005 CARRINGTON MILL BLVD. SUITE 105  
 MORRISVILLE, NORTH CAROLINA 27560  
 PH: 919 544 7251 FAX: 919 544 9399  
 A Division of LMHT Associates

STATE OF SOUTH CAROLINA  
 GLEN LEMMONING  
 No. 9285  
 REGISTERED PROFESSIONAL ARCHITECT

STATE OF SOUTH CAROLINA  
 LMHT ASSOCIATES, P.A.  
 No. 04000  
 REGISTERED PROFESSIONAL ENGINEER

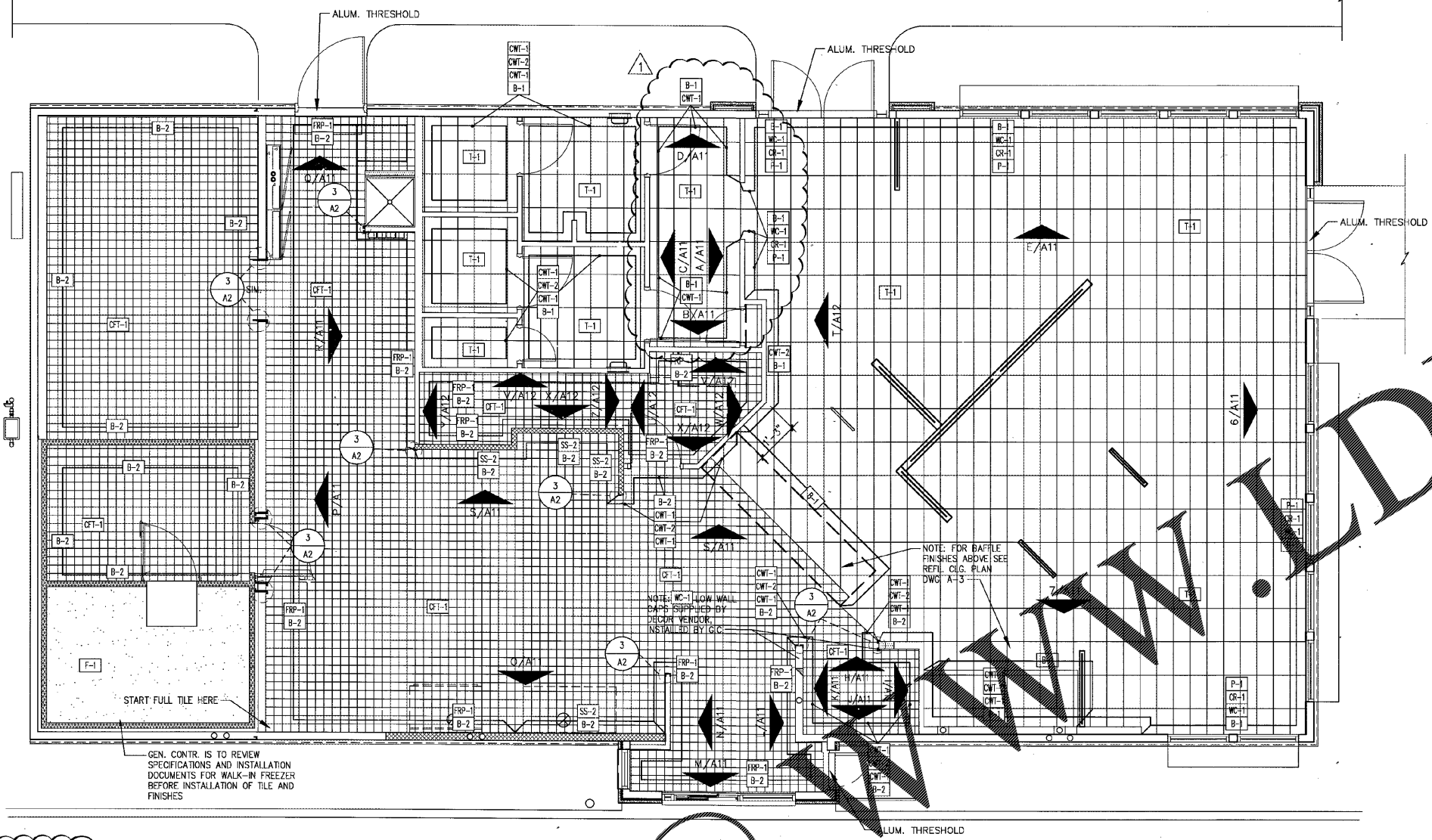
**Hardee's**  
 HARDEE'S T24KE PROTOTYPE  
 455 CHARLES STREET  
 BATESBURG-LEESVILLE, SOUTH CAROLINA, 29024

NO.	DATE	DESCRIPTION

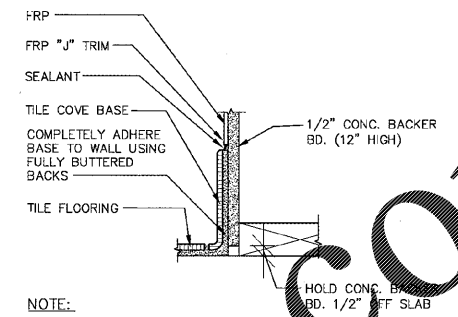
DESIGNED BY: [Signature]	CHECKED BY: [Signature]
DRAWN BY: [Signature]	APPROVED BY: [Signature]

CKE SITE ID: \_\_\_\_\_  
 DATE: 2-28-17

SHEET NUMBER:  
**A2**

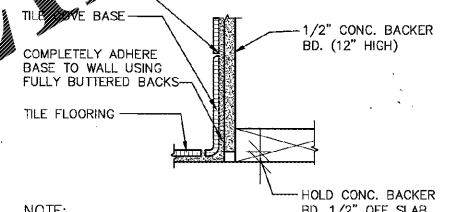


BASE AT KITCHEN W/ FRP WALL FINISH  
 SCALE: 3"=1'-0" 1



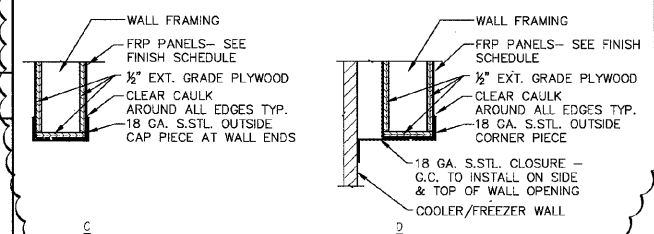
NOTE:  
 1. THIS DETAIL SHALL BE USED WHERE FLOORING PLAN INDICATES TILE FLOORING AND BASE (EXCEPT NOT IN COOLERS). TILE BASE MUST BE INSTALLED PRIOR TO FRP.

BASE AT TOILETS W/ TILE WALL FINISH  
 SCALE: 3"=1'-0" 2



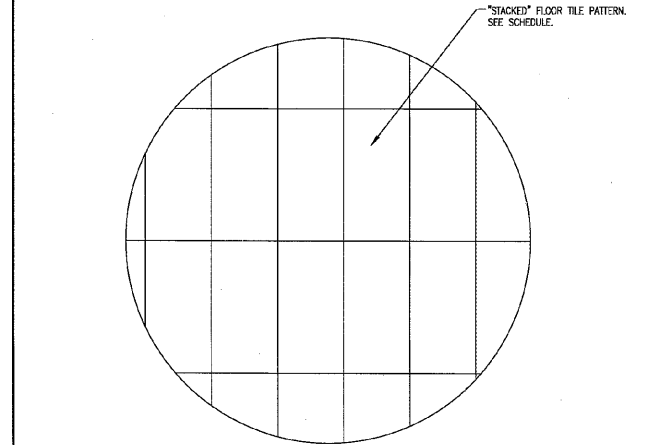
NOTE:  
 1. THIS DETAIL SHALL BE USED WHERE FLOORING PLAN INDICATES TILE FLOORING AND BASE (EXCEPT NOT IN COOLERS). TILE BASE MUST BE INSTALLED PRIOR TO FRP.

FRP PANELS - SEE FINISH SCHEDULE  
 CLEAR CAULK AROUND ALL EDGES TYP.  
 18 GA. S.STL OUTSIDE CORNER PIECE  
 SCALE: 1/4"=1'-0" 6



NOTE: USE S.S. CORNER GUARD WHEN AT LEAST ONE WALL HAS S.S. WALL FINISH

CORNER GUARDS  
 SCALE: 3"=1'-0" 3



DINING ROOM AND TOILET FLOOR TILE PATTERN  
 SCALE: 3/4"=1'-0" 4

WALL AND FLOOR FINISH PLAN

SYMBOL	MATERIAL	DESCRIPTION	REMARKS
A-1	STOREFRONT	FACTORY FINISH CLEAR ANODIZED ALUMINUM FINISH	
B-1	TILE COVE BASE	6x12 COVE BASE CROSSVILLE BASALT SERIES AV294 - MAFIC GROUT - LATICRETE #35 MOC-A	
B-2	TILE COVE BASE	DAL TILE - 6x6 SANITARY COVE - 0103 0-3585 ASHEN GRAY GROUT - CUSTOM BUILDING PRODUCTS #9 NATURAL GRAY	
GT-1	CERAMIC FLOOR TILE	DAL TILE - ABRASIVE ANTI-SLIP 6x6 QUARY TILE ASHEN GRAY #0103 GROUT - CUSTOM BUILDING PRODUCTS #9 NATURAL GRAY	
CR-1	CHAIR RAIL	SCHLUTER - RONDEC SERIES - BRUSHED STAINLESS STEEL FINISH	
CW-1	CERAMIC WALL TILE	12x24 CROSSVILLE "BASALT" SERIES - AV291 SILICA (**GROUT - 1/16" JOINT CUSTOM BLDG. PRODUCTS #335 "WINTER GRAY"	
CW-2	CERAMIC WALL TILE	6x36 CROSSVILLE "SPEAKEASY" SERIES - AV285 BANK ROLL (**GROUT - 1/16" JOINT CUSTOM BLDG. PRODUCTS #335 "WINTER GRAY"	
F-1	FACTORY FLOOR	FLOOR PROVIDED BY FREEZER/COOLER MANUFACTURER	
FRP-1	FIBERGLASS REINFORCED PANEL - FRP	KEM-LITE COMPANY, INC - GLASBORD FRP SANIGRID 11 COLOR -	
M-1	MURALS	GC TO INSTALL MURALS PROVIDED BY DECOR VENDOR. GC TO INSTALL 1/2 x 1/2 METAL CORNERS	
P-1	PAINTED GYP. BOARD	(*) SHERWIN WILLIAMS # SW7039 VIRTUAL TAUPE-MATTE EGG SHELL	
P-2	PAINTED GYP. BOARD	SHERWIN WILLIAMS # SW7005 PURE WHITE SMOOTH EGG SHELL	
P-3	PAINTED GYP. BOARD	SHERWIN WILLIAMS # SW8107 NOMADIC DESERT EGG SHELL	
P-4	PAINTED HOLLOW METAL FRAME	SHERWIN WILLIAMS SW6258 TRICORN BLACK SATIN NAMEL	
P-5	PAINTED GYP. BOARD	(*) SHERWIN WILLIAMS # SW6601 TANAGER EGG SHELL	
S-1	WOOD STAIN	SHERWIN WILLIAMS # SW1340 WEATHERED TEAK	
SC-1	SEALED CONCRETE	COORDINATE WITH CONSTRUCTION MANAGER	
SS-1	STAINLESS STEEL	18ga. - #4 BRUSH FINISH - CORNER GUARD	
SS-2	STAINLESS STEEL	18ga. - #4 BRUSH FINISH - WALL FINISH INSTALL STAINLESS STEEL FROM TOP OF BASE 1/2" HIGHER THAN UNDERSIDE OF HOOD ALONG FULL WIDTH OF HOOD AND BEYOND	
T-1	PORCELAIN FLOOR TILE	12x24 CROSSVILLE "BASALT" SERIES AV294 MAFIC GROUT - LATICRETE #35 MOC-A	
WC-1	WINDOW SILL	NOTE: COORDINATE WITH "SEVA" #FAB0 SUEDE SLIDE 1/2" BRUSH STAINLESS STEEL CORNER GUARDS	
WS	WINDOW SILL	CONCRETE WINDOW SILL	

FLOOR FINISH MATERIAL SHALL BE NO LESS THAN CLASS II - SEE DECOR DRAWINGS FOR ADDITIONAL INFORMATION & FINISH SPECIFICATIONS

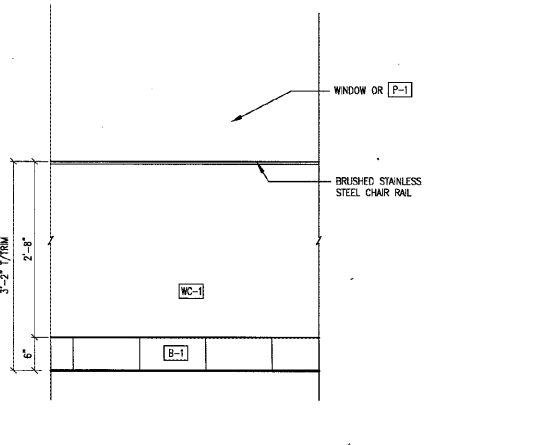
WALL INDICATED THUS (\*) SHALL HAVE "KNOCK DOWN ORANGE PEEL" FINISH

NOTE: COORDINATE & VERIFY ALL FINISHES W/ DECOR DWGS. BY OTHERS.

INTERIOR FINISH SCHEDULE  
 SCALE: N.T.S. 16 NOT USED

SCALE: 3/4"=1'-0" 12

WAINSCOT DETAIL  
 SCALE: 3/4"=1'-0" 8



Online Plans @