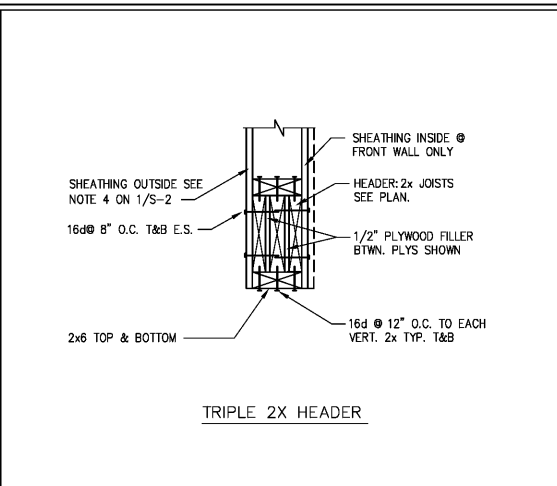


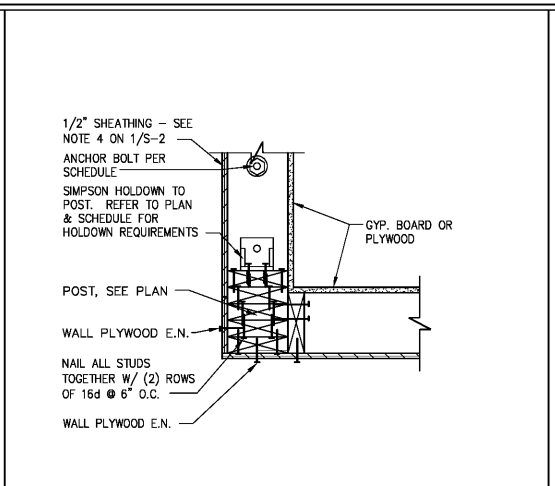
**BRITT PETERS AND ASSOCIATES**  
 CONSULTING ENGINEERS  
 999 Waterside Dr.  
 Suite 2202  
 Norfolk, VA 23510  
 (757) 965-5740  
 www.britt-peters.com  
 170372

REGISTERED PROFESSIONAL ENGINEER  
 No. 31288  
 1/24/2017

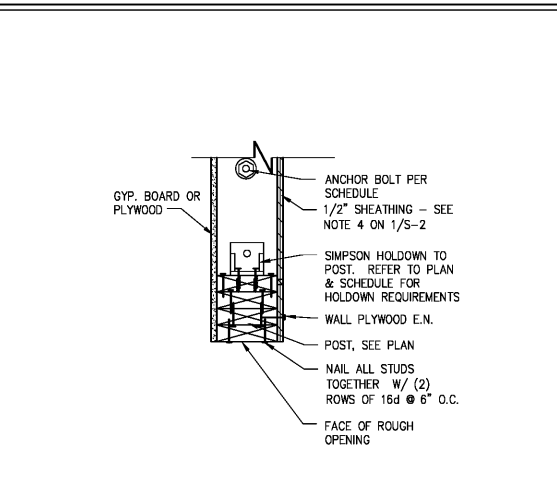
REGISTERED PROFESSIONAL ENGINEER  
 No. 038761  
 1/24/2017



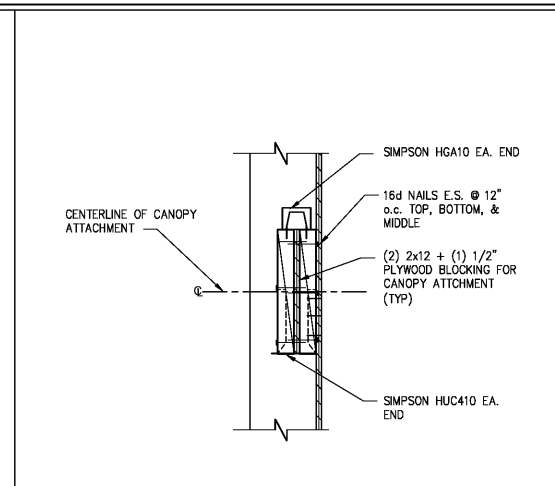
TYPICAL HEADER SCALE: 1 1/2"=1'-0" 17



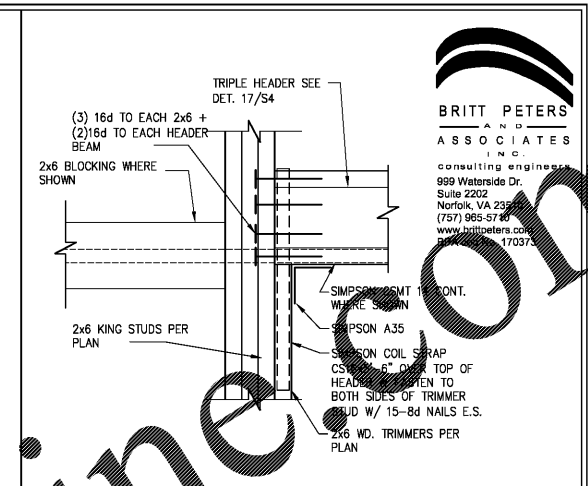
HOLDDOWN AT CORNER SCALE: 1 1/2"=1'-0" 13



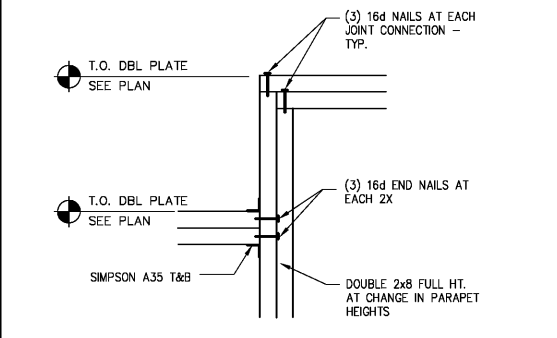
HOLDDOWN AT WALL END SCALE: 1 1/2"=1'-0" 9



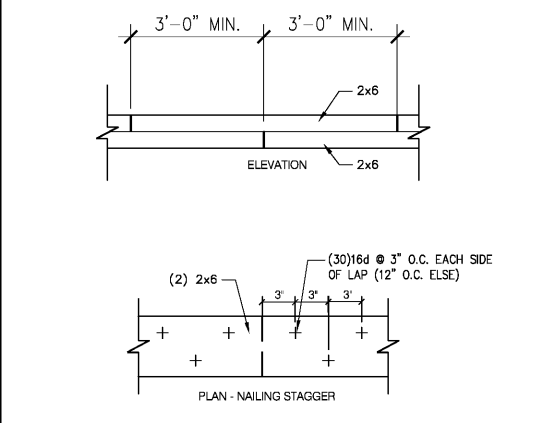
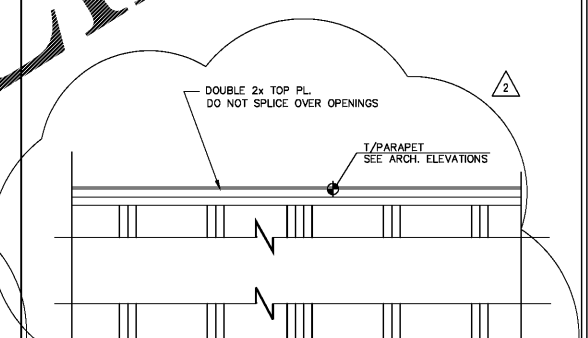
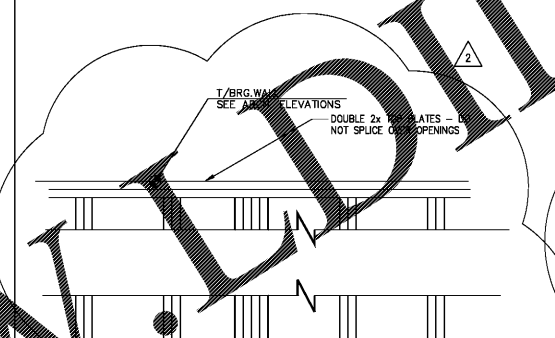
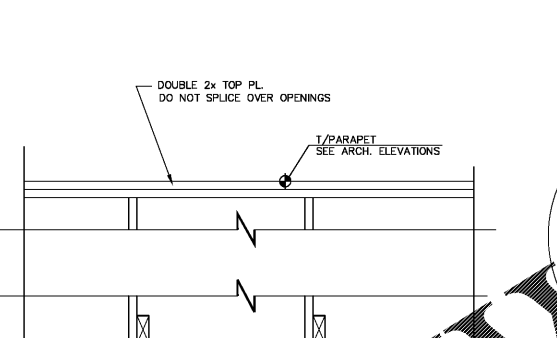
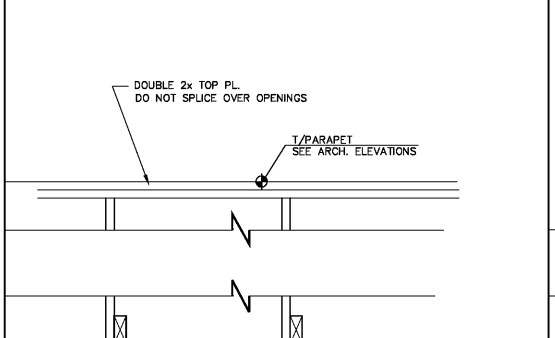
CANOPY BLOCKING SCALE: 1"=1'-0" 5



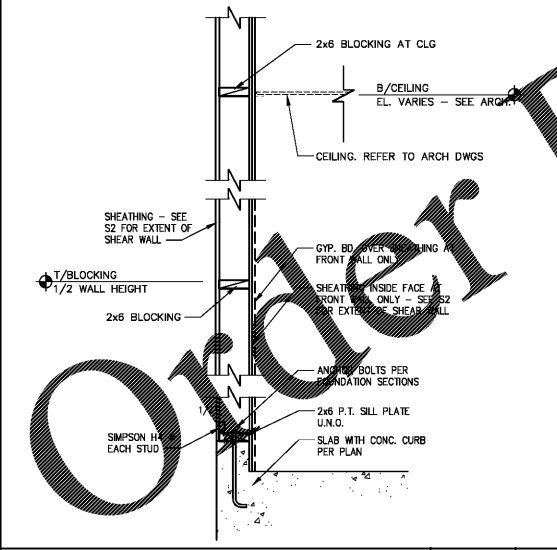
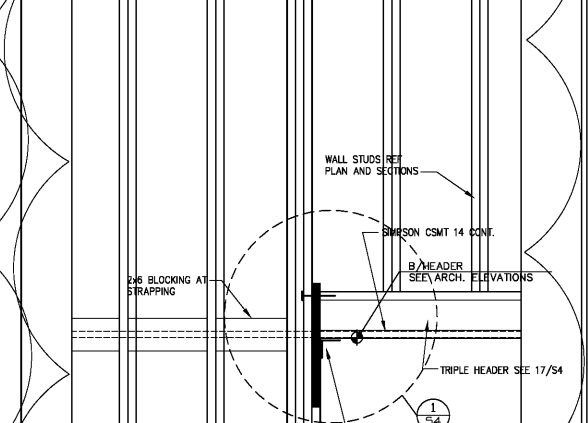
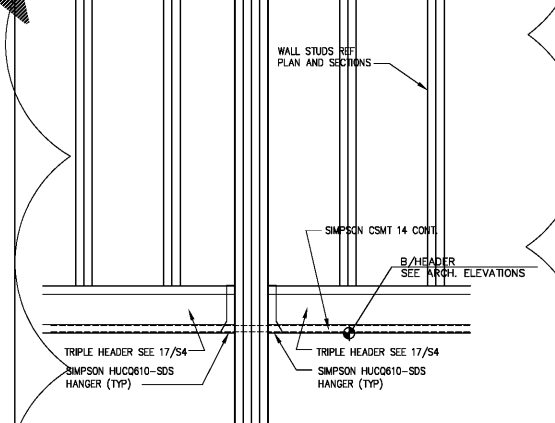
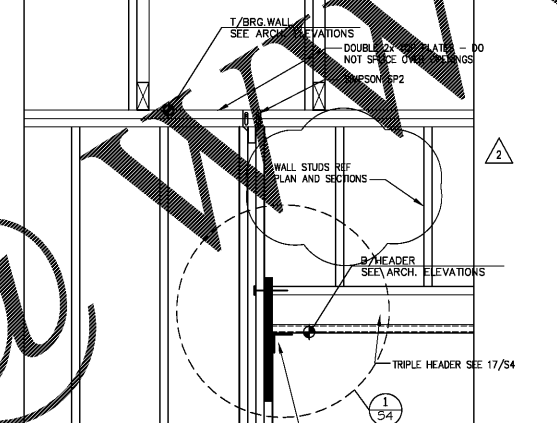
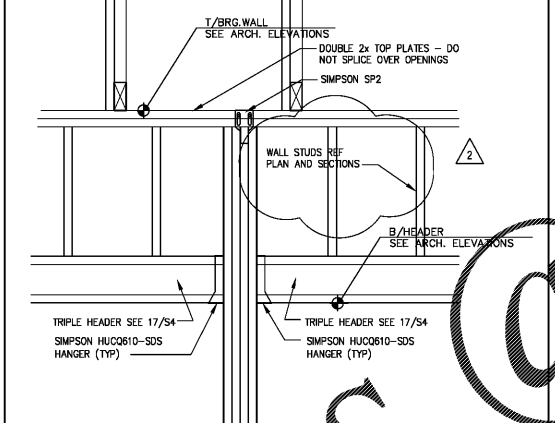
HEADER FRAMING AT EXTERIOR WALL OPNG. SCALE: 3/4"=1'-0" 1



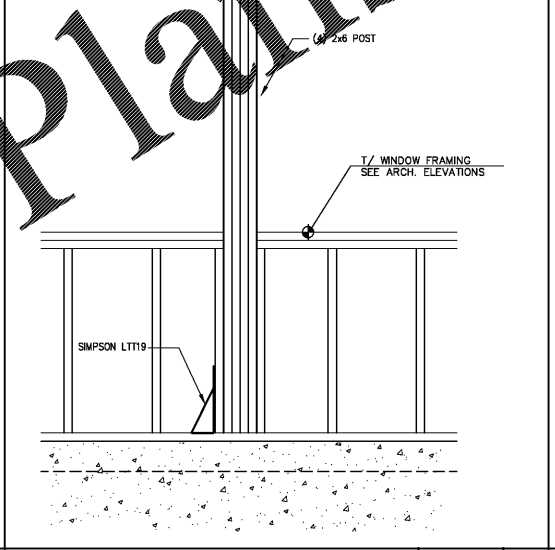
STEP IN PARAPET TOP PLATES SCALE: 3/4"=1'-0" 18



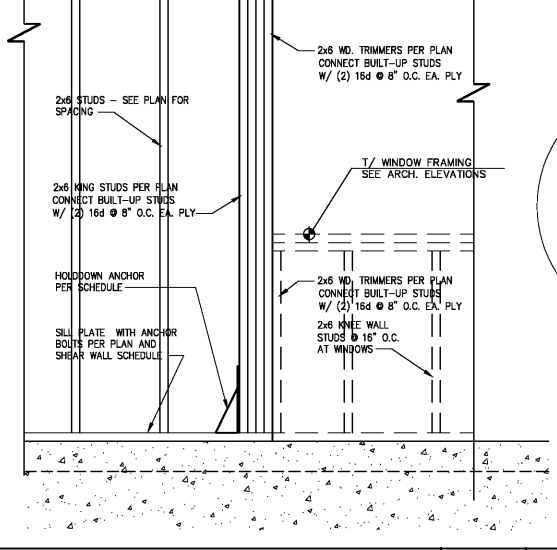
DOUBLE BEARING PLATE SPLICE SCALE: 3/4"=1'-0" 19



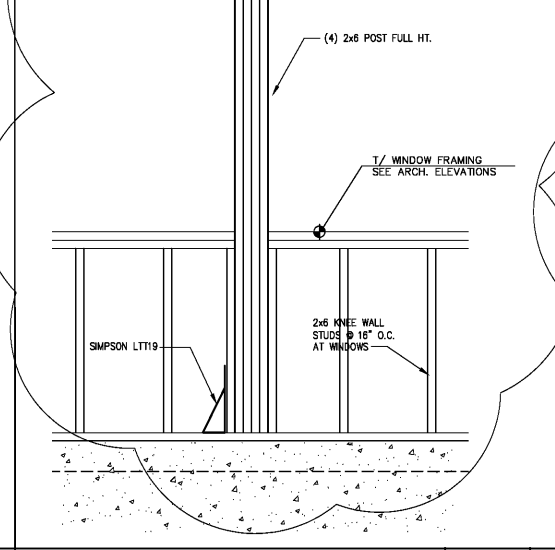
TYPICAL WALL FRAMING SCALE: 3/4"=1'-0" 20



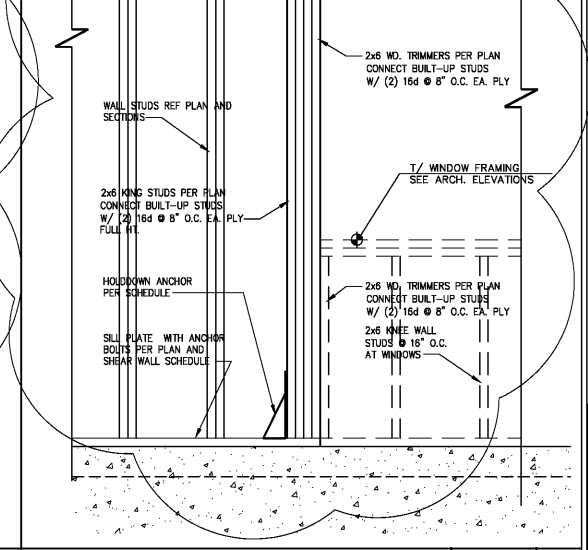
SIDE BEARING WALL POST BETWEEN WINDOWS SCALE: 3/4"=1'-0" 16



SIDE BEARING WALL AT OPENING SCALE: 3/4"=1'-0" 12



FRONT BEARING WALL POST BETWEEN WINDOWS SCALE: 3/4"=1'-0" 8



FRONT BEARING WALL AT OPENING SCALE: 3/4"=1'-0" 4

**BRITT PETERS AND ASSOCIATES**  
 CONSULTING ENGINEERS  
 999 Waterside Dr.  
 Suite 2202  
 Norfolk, VA 23510  
 (757) 965-5740  
 www.britt-peters.com  
 170372

REGISTERED PROFESSIONAL ENGINEER  
 No. 31288  
 1/24/2017

REGISTERED PROFESSIONAL ENGINEER  
 No. 038761  
 1/24/2017

**Hardee's**  
 HARDEE'S T24KE PROTOTYPE  
 143 CHURCH STREET  
 BATESBURG-LEESVILLE, SOUTH CAROLINA 29804

NO.	REVISIONS	DESCRIPTION	DATE
1	STRUCT. COORDINATION		7/20/17

DRAWN BY	CHECKED BY #1	CHECKED BY #2	APPROVED BY

CHE SHEET ID.:  
 DATE: 2-28-17  
 SHEET NUMBER: **S4**