

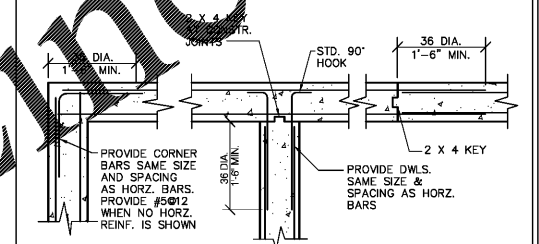
1. SEE SHEET S6 FOR GENERAL STRUCTURAL NOTES.
 2. ALL HOLD DOWN ANCHORS SHALL BE SIMPSON THREADED RODS W/ SET EPOXY. SEE PLAN FOR EMBEDMENT.
 3. CONCRETE FLOOR SLAB UNDER W.I.C./W.L.F. BOX SHALL BE LEVEL. COORD. REQUIRED FLATNESS/LEVELNESS W/ BOX MFR.
 4. ANCHOR BOLTS NOT SHOWN ON THIS PLAN SHALL BE INSTALLED PER THE SECTIONS.
 5. DIMENSIONS NOTED ARE TO FACE OF CONCRETE.
 6. [] DENOTES HOLD DOWN LOCATIONS. COORD. EXACT LOCATIONS W/ FRAMING SHOWN ON SZ.
 7. USE THIS PLAN WITH SECTIONS 1 THRU 14 ON THIS SHEET.
 8. TOP OF CMU 8" BELOW 1/SLAB.
 9. BOTTOM OF FOOTING SHALL BE 2'-0" BELOW TOP OF SLAB
 10. FOR SHEAR WALLS "SW.", SEE SHEET S6

BRITT PETERS AND ASSOCIATES
 consulting engineers
 699 Waterside Dr.
 Suite 2202
 Norfolk, VA 23502
 (757) 665-5740
 www.britt-peters.com
 170372

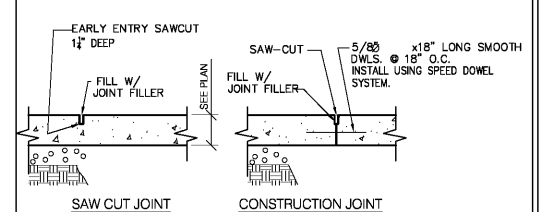
GENERAL NOTES SCALE: 1

- ① (4) 2# POST - SEE DET. 6/54
- ② (2) #4 x 4'-0" AT RE-ENTRANT CORNERS, 1 1/2" FROM TOP OF SLAB

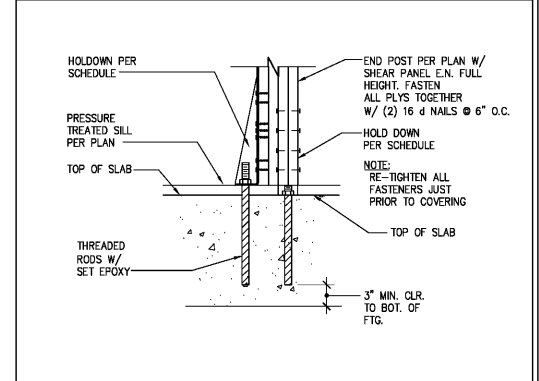
CONSTRUCTION NOTES SCALE: 2



TYPICAL FOUNDATION REINFORCING SCALE: 3



TYPICAL SLAB JOINTS SCALE: 4



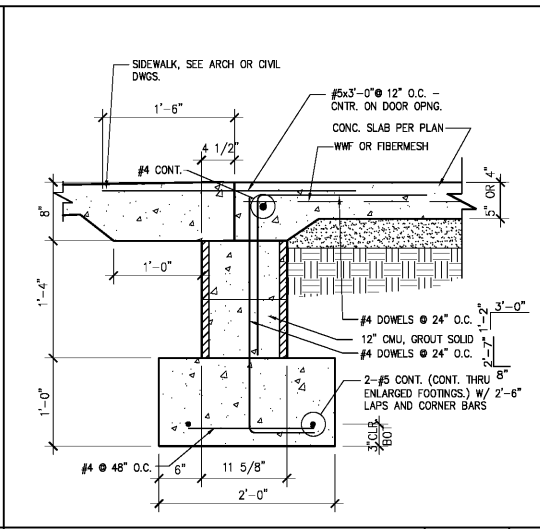
HOLD DOWN DETAIL SCALE: 5

FOUNDATION PLAN - ALTERNATE - CONTRACTOR/OWNER OPTION

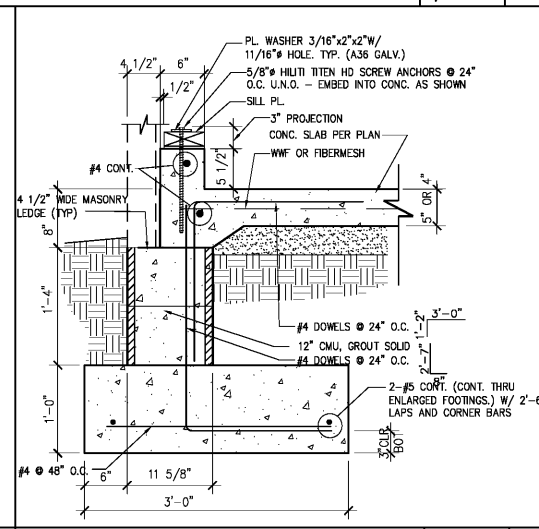
NOT USED SCALE: 22 NOT USED



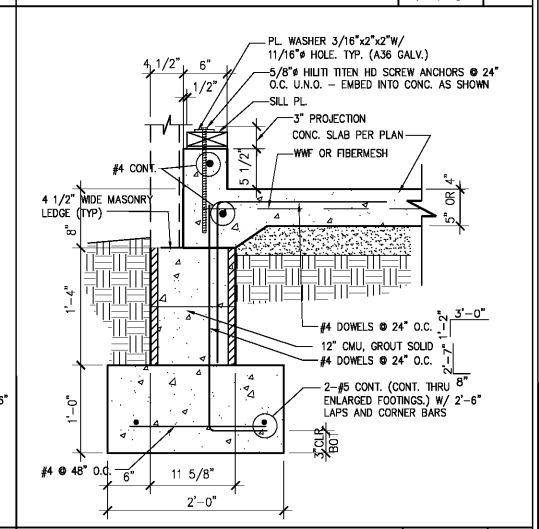
TYPICAL FOOTING AT DOORS SCALE: 18



TYPICAL FOOTING AT FRONT SHEAR WALL SCALE: 14



TYPICAL FOOTING W/ MASONRY LEDGE SCALE: 10



TYPICAL FOOTING AT MASONRY LEDGE SCALE: 6

NRD Project # 16399
 Professional
 RESTAURANT
 DESIGNERS
 SOUTH CAROLINA
 PROFESSIONAL REGISTERED ENGINEER
 No. 31228
 7/24/2017
 ROBERT ALTMAN
 BRITT PETERS & ASSOCIATES, INC.
 No. 038781
 143 CHURCH STREET
 BATESBURG-LEESVILLE, SOUTH CAROLINA 29804

REVISIONS
 NO. DESCRIPTION DATE
 1 STRUCT. COORDINATION 7/20/17

FOUNDATION PLAN
 CHECKED BY: []
 DRAWN BY: []
 DATE: 2-28-17
 SHEET NUMBER: S1A

Order Plans