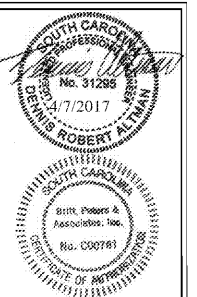


**BRITT PETERS AND ASSOCIATES**  
 CONSULTING ENGINEERS  
 999 Waterside Dr.  
 Norfolk, VA 23502  
 (757) 665-5740  
 www.brittpeters.com

NRD Project # 16399  
 BRITT PETERS AND ASSOCIATES  
 CONSULTING ENGINEERS  
 999 WATERSIDE DR.  
 NORFOLK, VA 23502  
 (757) 665-5740  
 WWW.BRITTPETERS.COM

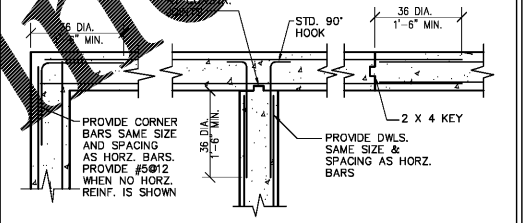


- SEE SHEET S6 FOR GENERAL STRUCTURAL NOTES.
- ALL HOLD DOWN ANCHORS SHALL BE SMIPSON THREADED RODS W/ ET EPOXY. SEE PLAN FOR EMBEDMENT.
- CONCRETE FLOOR SLAB UNDER W.I.C./W.F. BOX SHALL BE LEVEL. COORD. REQUIRED FLATNESS/LEVELNESS W/ BOX MFR.
- ANCHOR BOLTS NOT SHOWN ON THIS PLAN SHALL BE INSTALLED PER THE SECTIONS.
- DIMENSIONS NOTED ARE TO FACE OF CONCRETE.
- [E] DENOTES HOLD DOWN LOCATIONS. COORD. EXACT LOCATIONS W/ FRAMING SHOWN ON S2.
- USE THIS PLAN WITH SECTIONS 1 THRU 14 ON THIS SHEET.
- TOP OF GRADE BEAM 8" BELOW 1/SLAB.
- BOTTOM OF GRADE BEAM SHALL BE 2'-0" BELOW TOP OF SLAB
- FOR SHEAR WALLS "SW.", SEE SHEET S6

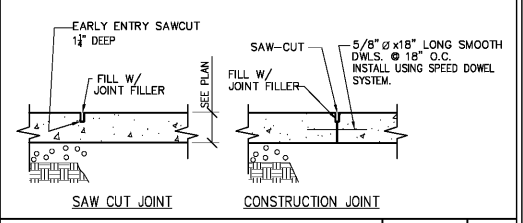
GENERAL NOTES SCALE: N.T.S.

- (1) 2# 26 STUBS - SEE DET. 8/54
- (2) #4 x 4'-0" AT RE-ENTRANT CORNERS, 1 1/2" FROM TOP OF SLAB

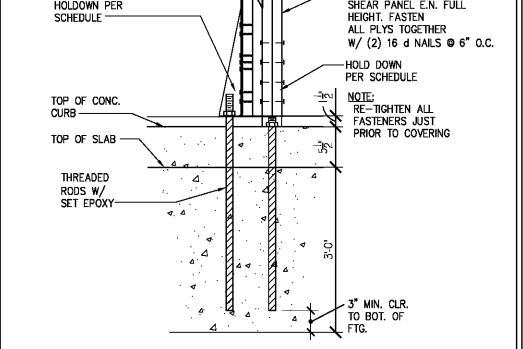
CONSTRUCTION NOTES SCALE: N.T.S.



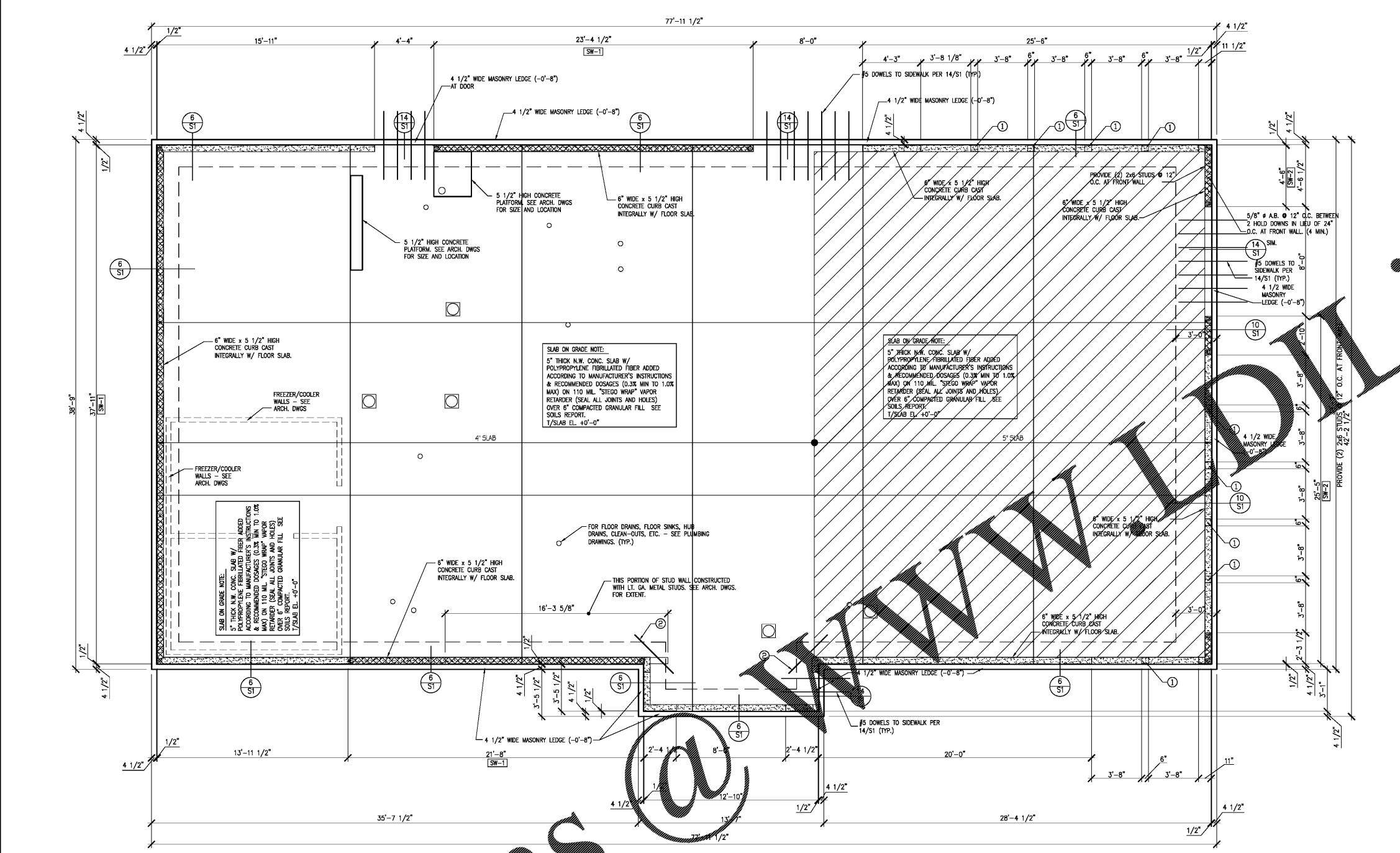
TYPICAL FOUNDATION REINFORCING SCALE: N.T.S.



TYPICAL SLAB JOINTS SCALE: N.T.S.



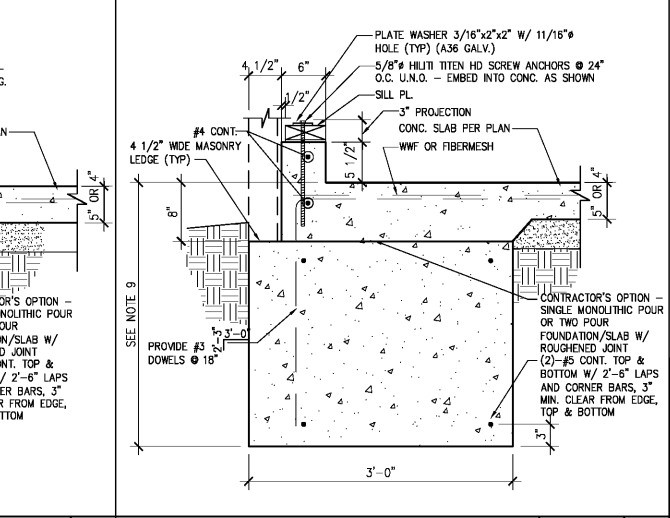
HOLD DOWN DETAIL SCALE: 1/4"=1'-0"



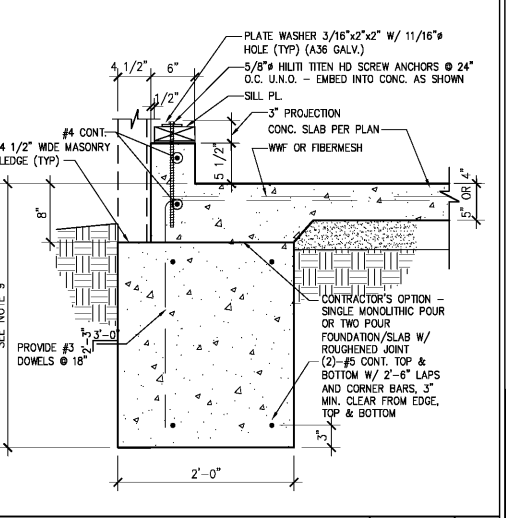
FOUNDATION PLAN SCALE: 1/4"=1'-0"



TYPICAL FOOTING AT DOORS SCALE: 1"=1'-0"



TYPICAL FOOTING AT FRONT SHEAR WALL SCALE: 1"=1'-0"



TYPICAL FOOTING W/ MASONRY LEDGE SCALE: 1"=1'-0"

NOT USED SCALE: -

NOT USED SCALE: -

NOT USED SCALE: -

SCALE: -

SCALE: -

SCALE: -

SCALE: -

SCALE: -

SCALE: -

Order Plans

NO.	REVISIONS	DESCRIPTION	DATE

FOUNDATION PLAN  
 DRAWN BY: [ ]  
 CHECKED BY: [ ]  
 APPROVED BY: [ ]

CKE SITE ID.:  
 DATE: 2-28-17

SHEET NUMBER:  
**S1**