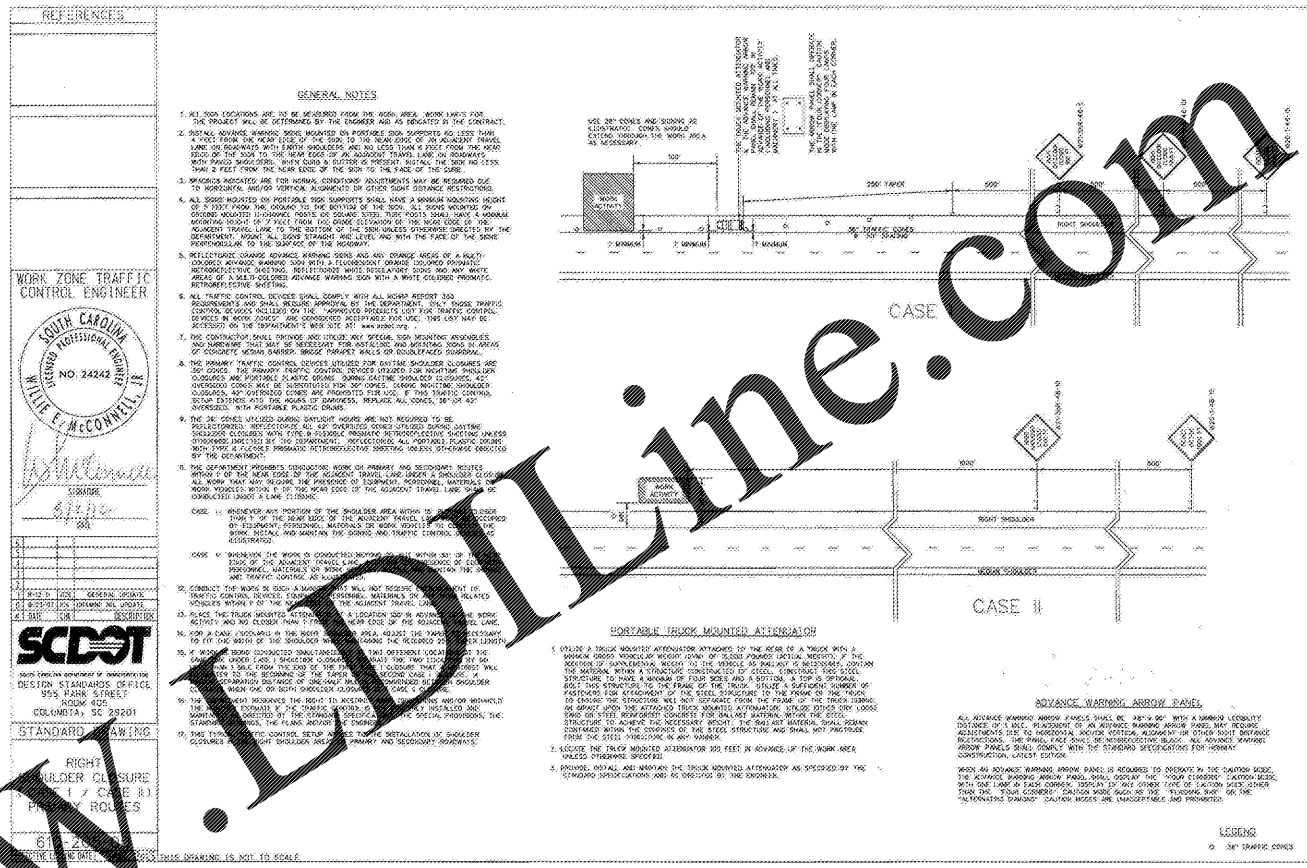
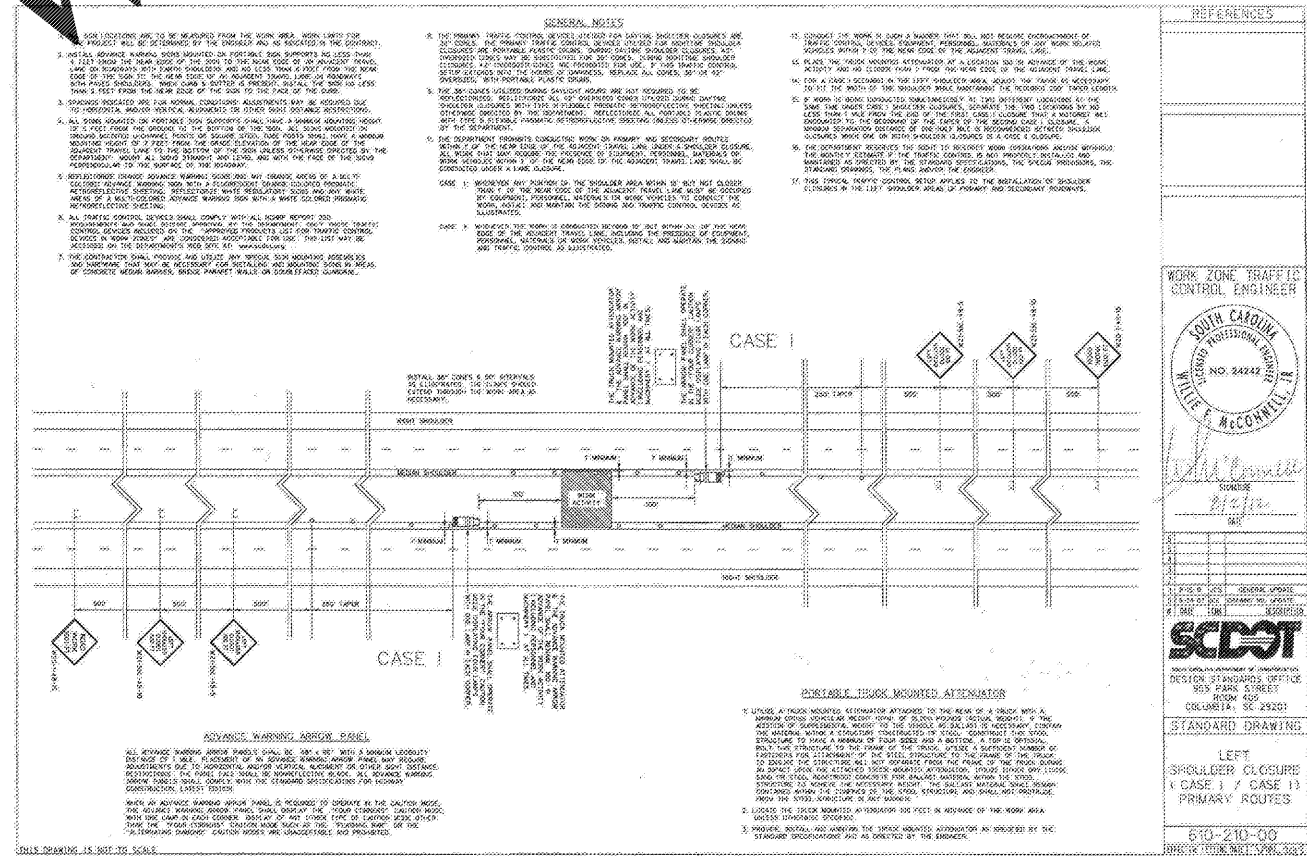


STANDARD DRAWING  
 PAVED TRUNK RAMP  
 CONDENSED  
 TERMINAL  
 (PAVEMENT RAMP)

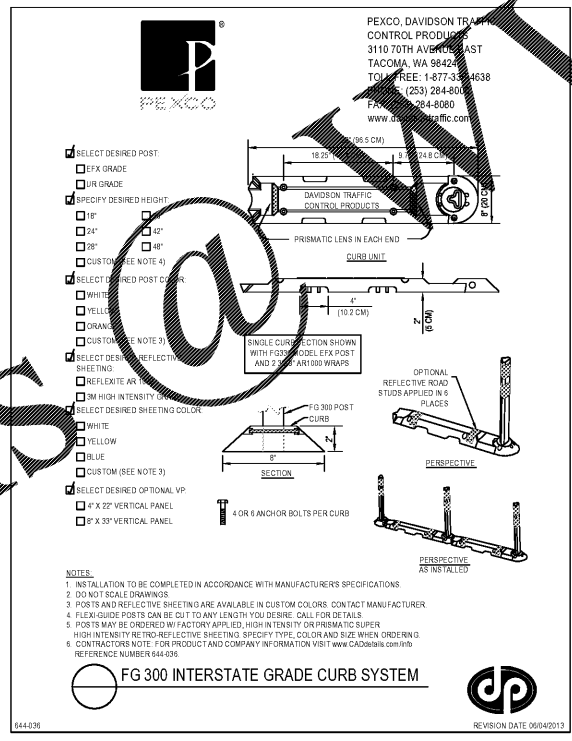


STANDARD DRAWING  
 RIGHT CURB CLOSURE  
 (CASE I)  
 PRIMARY ROUTES



STANDARD DRAWING  
 LEFT CURB CLOSURE  
 (CASE I) / CASE II  
 PRIMARY ROUTES

Order Plans @ [www.wjmcconnell.com](mailto:www.wjmcconnell.com)



NOTES:  
 1. INSTALLATION TO BE COMPLETED IN ACCORDANCE WITH MANUFACTURER'S SPECIFICATIONS  
 2. DO NOT SCALE DRAWINGS  
 3. POSTS AND REFLECTIVE SHEETING ARE AVAILABLE IN CUSTOM COLORS. CONTACT MANUFACTURER  
 4. FLUKE-GUIDE POSTS CAN BE CUT TO ANY LENGTH YOU DESIRE. CALL FOR DETAILS  
 5. POSTS MAY BE ORDERED BY FACTORY APPLIED HIGH INTENSITY OR PHOSPHOR BRONZE HIGH INTENSITY RETRO-REFLECTIVE SHEETING. SPECIFY TYPE, COLOR AND SIZE WHEN ORDERING  
 6. CONTACT MANUFACTURER FOR PRODUCT AND COMPANY INFORMATION VISIT [www.davidson.com](http://www.davidson.com)  
 REFERENCE NUMBER: 044-024



10719 WILSON BLVD. • P.O. BOX 923 • BLYTHEWOOD, S.C. 29016  
 (803) 714-9832 OFFICE • (856) 787-9289 FAX

REVISIONS			DETAILS PROPOSED HARDEE'S RESTAURANT		
NO.	DATE	DESCRIPTION	PREPARED FOR SHIVA SHRI, LLC		
2	3/6/2017	REV. PER SCDOT	IN THE TOWN OF BATESBURG-LEESVILLE, LEXINGTON COUNTY, SOUTH CAROLINA		
			DATE: OCT. 26, 2016	SCALE: AS SHOWN	SHEET C8 OF 9