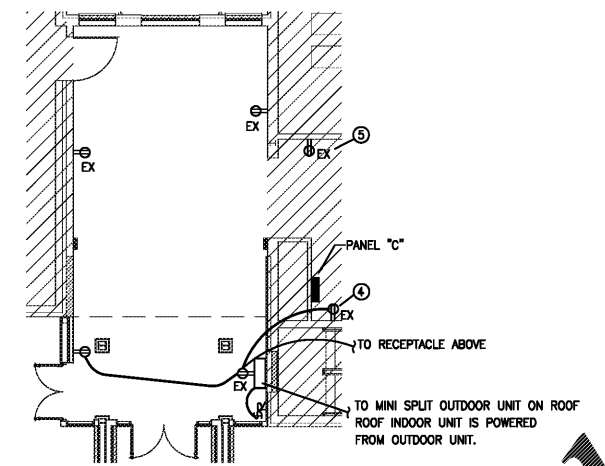
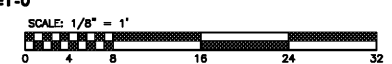
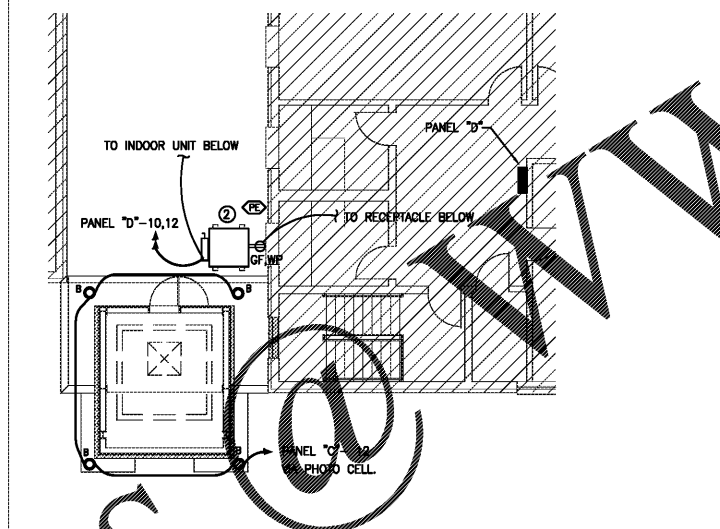
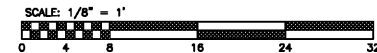
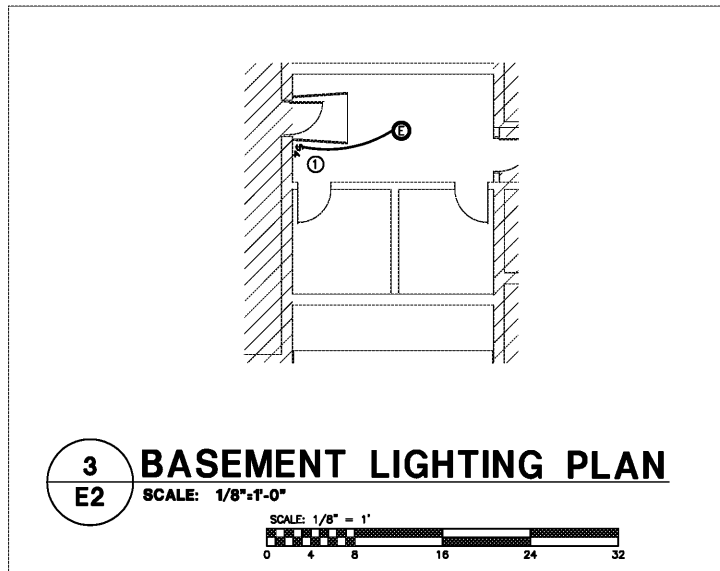
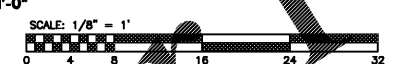


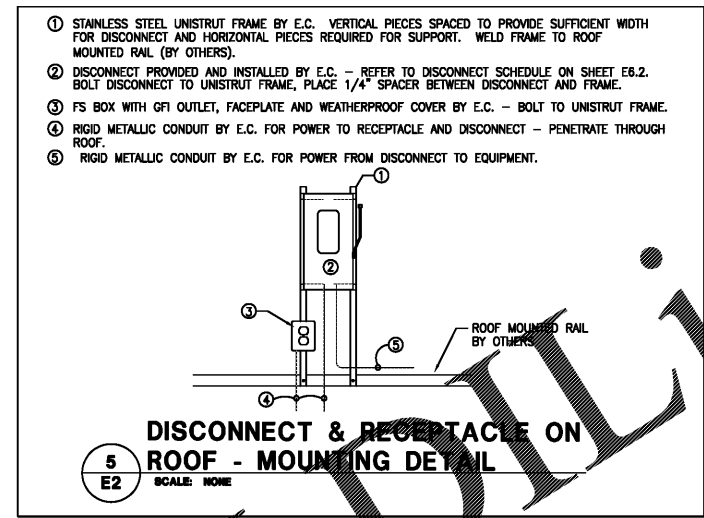
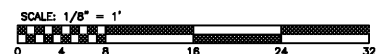
1 1ST FLOOR LIGHTING PLAN
E2 SCALE: 1/8"=1'-0"



2 1ST FLOOR POWER PLAN
E2 SCALE: 1/8"=1'-0"

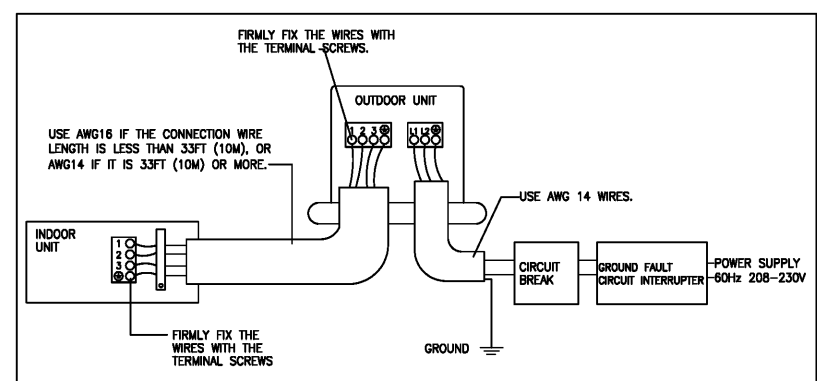


4 ROOF LIGHT & POWER PLAN
E2 SCALE: 1/8"=1'-0"

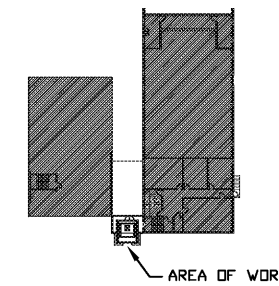


- 1 STAINLESS STEEL UNISTRUT FRAME BY E.C. VERTICAL PIECES SPACED TO PROVIDE SUFFICIENT WIDTH FOR DISCONNECT AND HORIZONTAL PIECES REQUIRED FOR SUPPORT. WELD FRAME TO ROOF MOUNTED RAIL (BY OTHERS).
- 2 DISCONNECT PROVIDED AND INSTALLED BY E.C. - REFER TO DISCONNECT SCHEDULE ON SHEET E6.2. BOLT DISCONNECT TO UNISTRUT FRAME, PLACE 1/4" SPACER BETWEEN DISCONNECT AND FRAME.
- 3 FS BOX WITH GFI OUTLET, FACEPLATE AND WEATHERPROOF COVER BY E.C. - BOLT TO UNISTRUT FRAME.
- 4 RIGID METALLIC CONDUIT BY E.C. FOR POWER TO RECEPTACLE AND DISCONNECT - PENETRATE THROUGH ROOF.
- 5 RIGID METALLIC CONDUIT BY E.C. FOR POWER FROM DISCONNECT TO EQUIPMENT.

- NOTES: (AS INDICATED ON THIS PLAN BY A NUMBER IN A ○)
- 1 RELOCATE SWITCH FOR CHANGE IN DOOR SWING. RECONNECT SWITCH TO LIGHT MAINTAIN EXISTING SWITCHING PATTERN.
 - 2 AC UNIT SPLIT OUTDOOR UNIT (SEE 4/A5.3). SET ON ROOF W/TREATED LAGS SECURE TO THE WALL TO PREVENT MOVEMENT AC UNIT WIRE CONNECT TO PANEL "D".
 - 3 AC UNIT WILL BE MOUNT HIGH ON THE WALL AND WILL CONNECT WITH THE AC UNIT ON THE ROOF.
 - 4 CONNECT NEW RECEPTACLE TO EXISTING RECEPTACLE ON EXISTING CIRCUIT.
 - 5 CONNECT EXISTING RECEPTACLES ON EXISTING CIRCUIT.



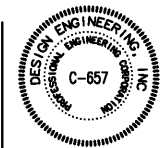
6 AC UNIT WIRING DETAIL
E2 SCALE: NONE



LIGHTING & POWER PLANS
ELECTRICAL DETAILS

2198 East Holly Grove Road
P.O. Box 1256
Lexington, N.C. 27293
Design Engineering, Inc. 336/224-0100
336/224-0099 (fax)

CLEMMONS FIRST BAPTIST CHURCH NARTHEX ADDITION



DESIGNED BY
DSS
CHECKED BY
AUGUST-2017
DATE

SHEET NO.
E2
OF 3

Order Plans @ www.dl-line.com