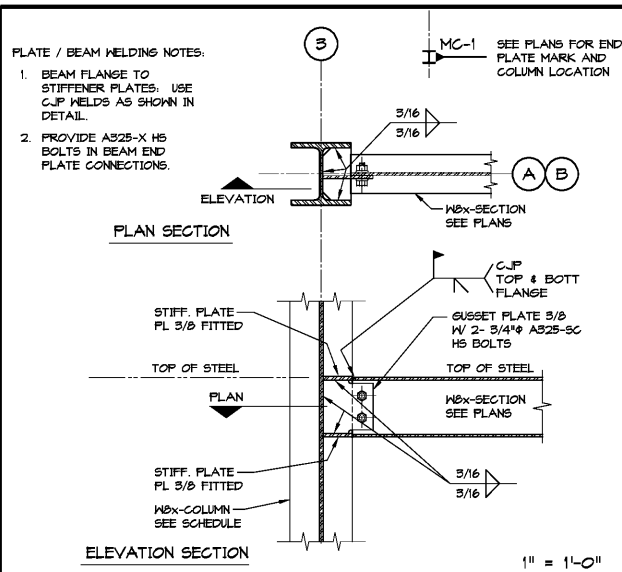
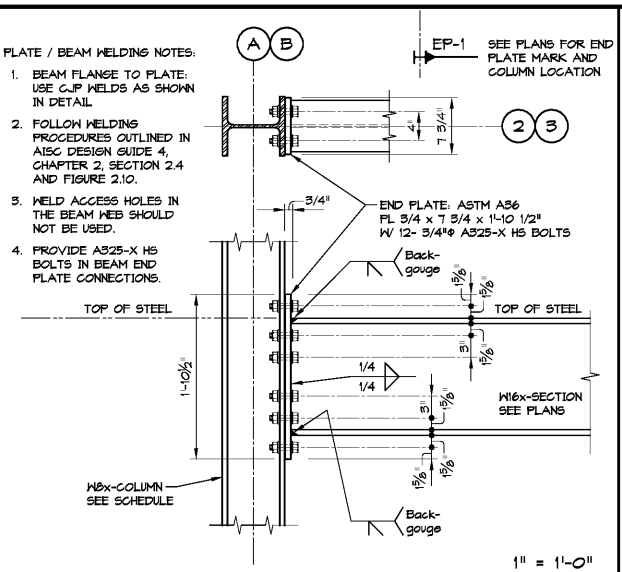




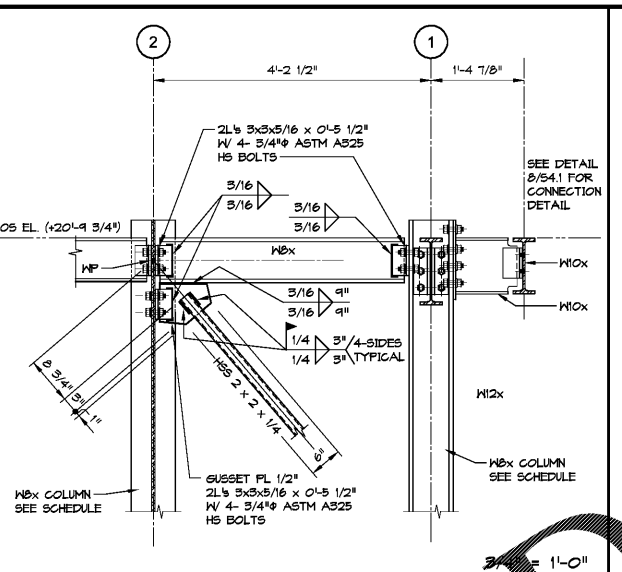
TAG	DESCRIPTION	DATE



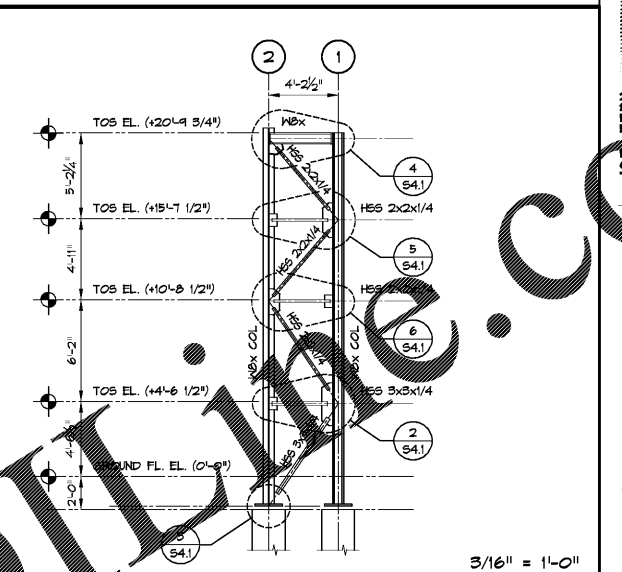
10 MC-1, COLUMN WEB, MOMENT CONNECTION



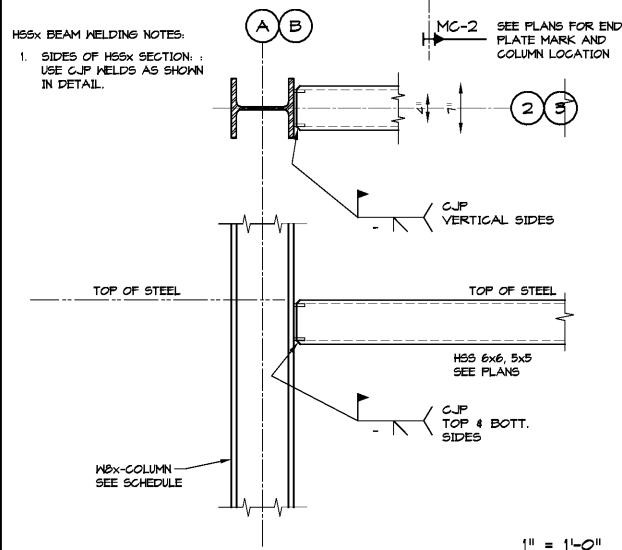
7 EP-1, END PLATE MOMENT CONNECTION



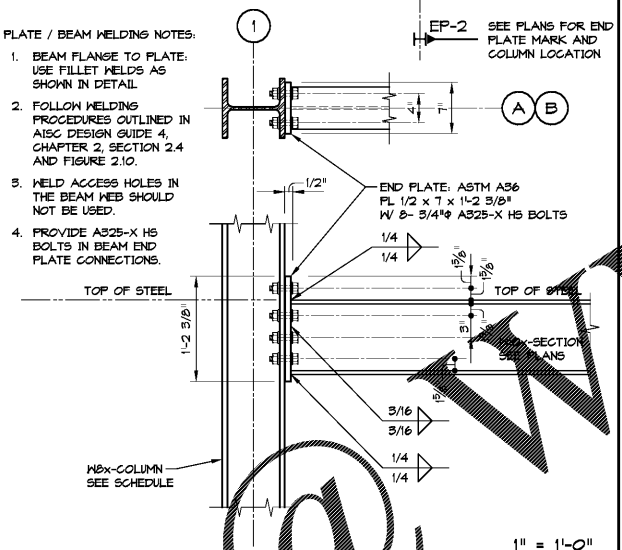
4 BRACE CONNECTION A-1, B-1



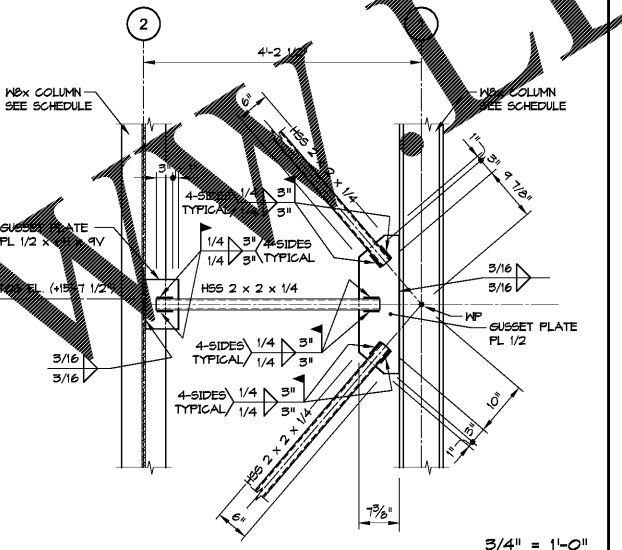
1 BRACED FRAME ELEVATION



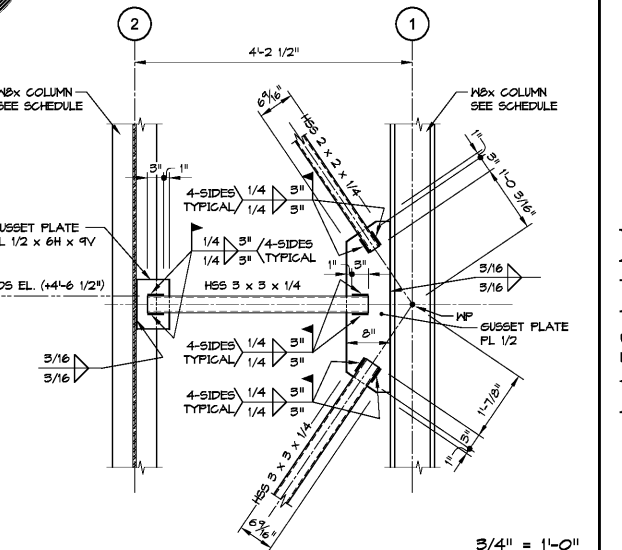
11 MC-2, HSS SECTION MOMENT CONNECTION



8 EP-2, END PLATE MOMENT CONNECTION



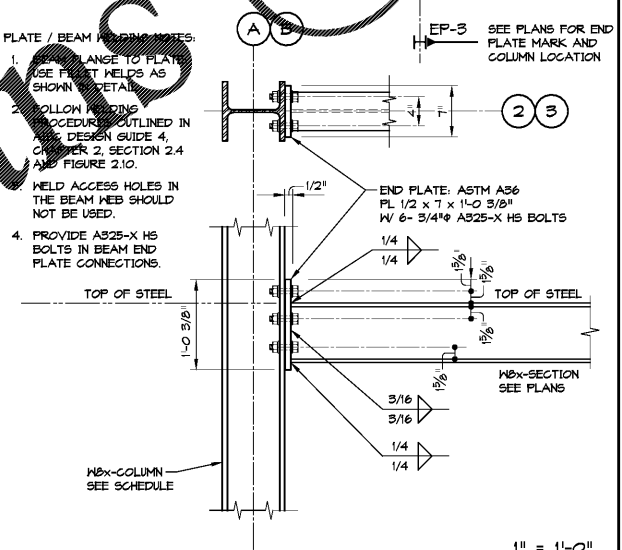
5 BRACE CONNECTION A-1, B-1



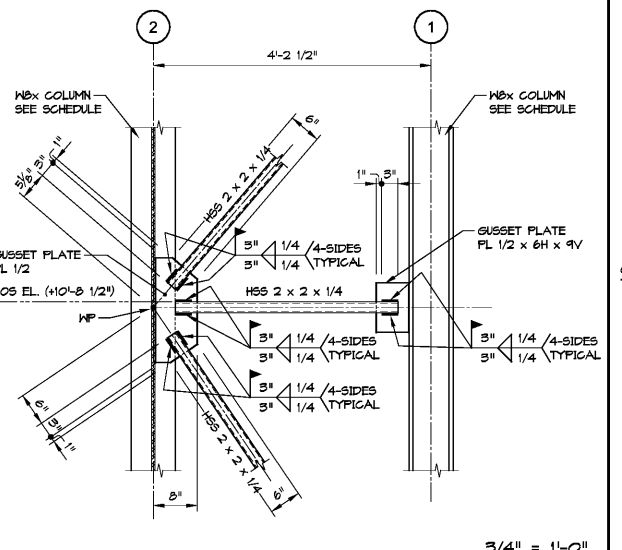
2 BRACE CONNECTION A-1, B-1



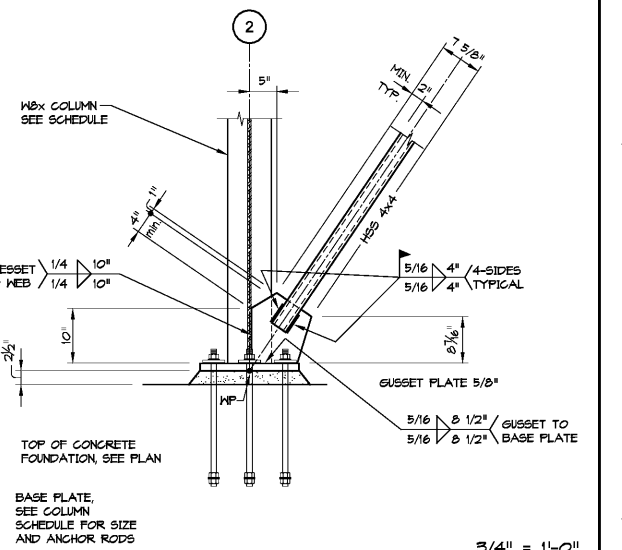
9 EP-3, END PLATE MOMENT CONNECTION



6 BRACE CONNECTION A-1, B-1



3 BRACE CONNECTION A-2, B-2



3 BRACE CONNECTION A-2, B-2

BRACED FRAME ELEVATION SECTIONS & DETAILS

CLEMMONS FIRST BAPTIST CHURCH NARTHEX ADDITION



Order Plans @ www.rbsmith.com