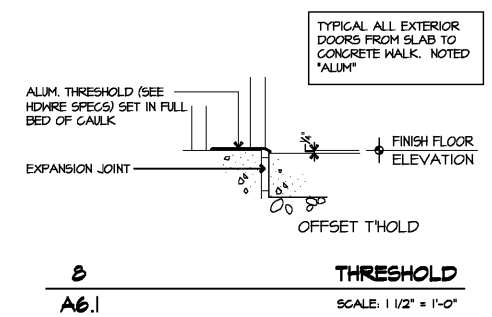


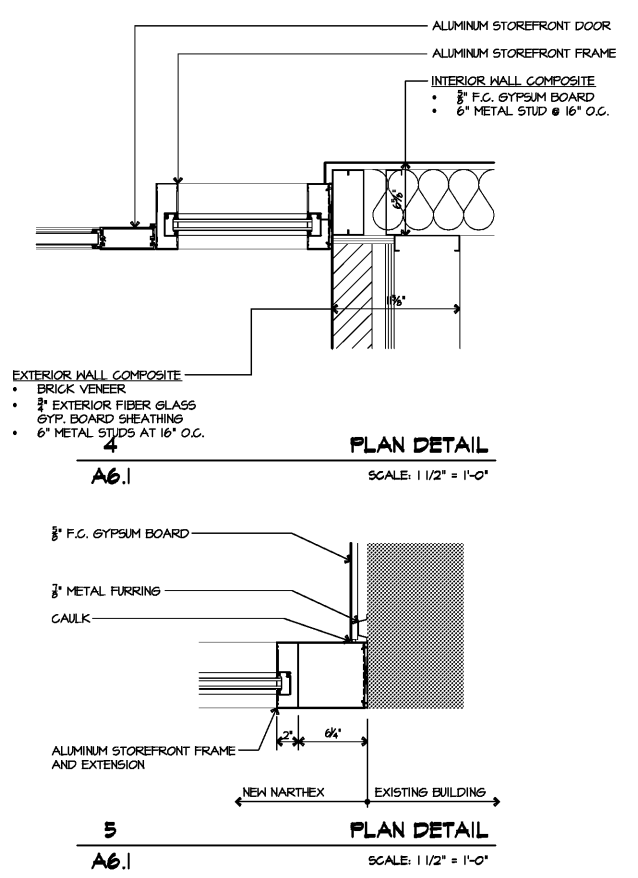
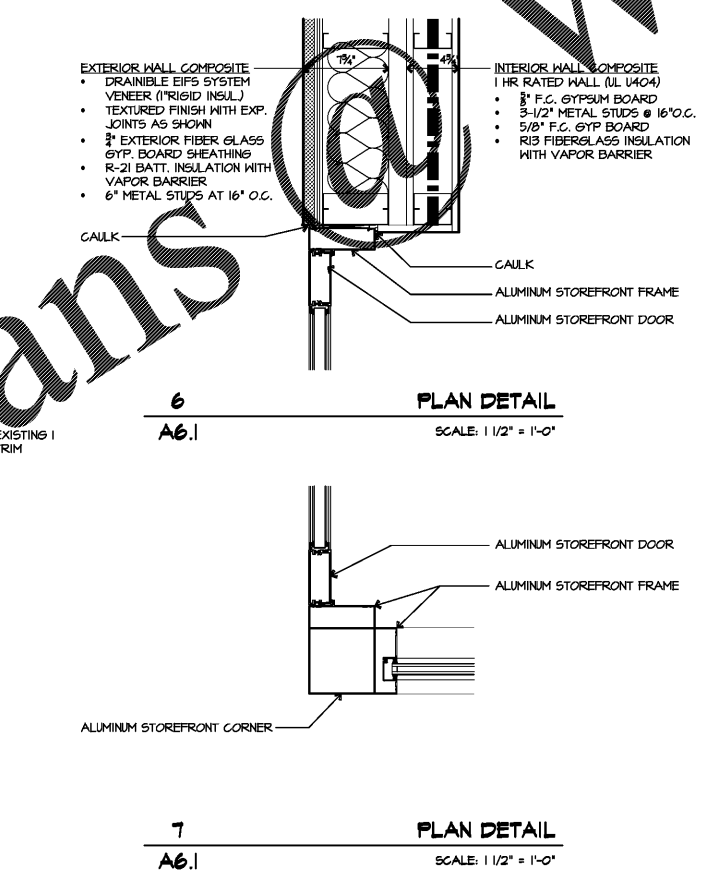
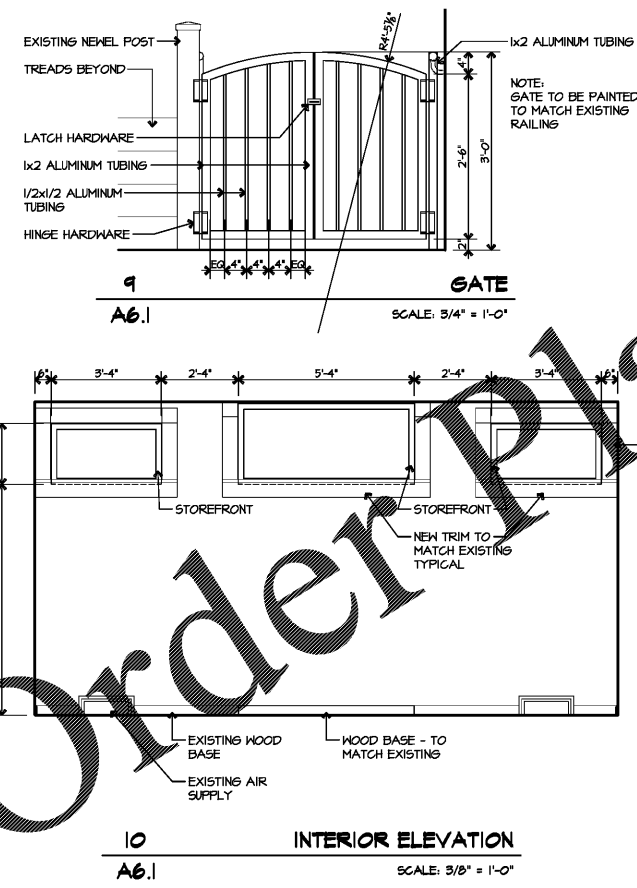
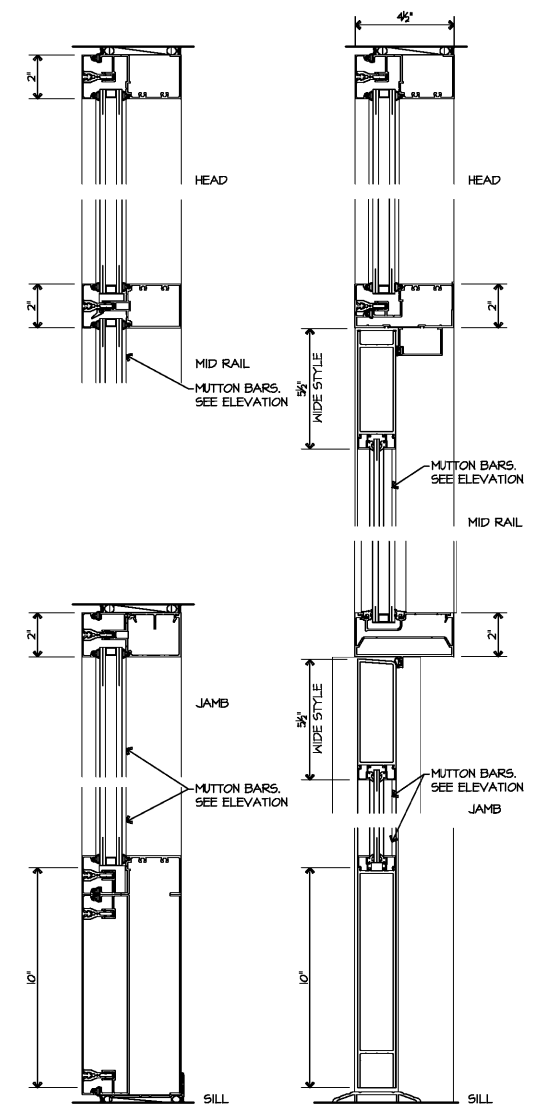
2 DOOR FRAMES SCALE: 1/2" = 1'-0"
A6.1

DOOR TYPES SCALE: 1/2" = 1'-0"
A6.1



DOOR SCHEDULE

DOOR NO.	ROOM DESCRIPTION	DOOR SIZE	DOOR TYPE	FRAME TYPE	DOOR/FINISH	HEAD DETAIL	JAMB DETAIL	FIRE RATING	REMARKS	DOOR NO.
101	PASSAGE	3'-0" x 7'-0" x 1 3/4"	D-1	EXIST'G	PAINTED HM.	-	-	-	-	101
102	HALL	3'-0" x 7'-0" x 1 3/4"	D-1	HMF-1	PAINTED HM.	-	-	-	-	102
201	NEW NARTHEX	PR 3'-0" x 7'-0" x 1 3/4"	-	ALUMINUM	-	-	-	-	-	201
202	NEW NARTHEX	PR 2'-6" x 7'-0" x 1 3/4"	-	ALUMINUM	-	-	-	-	-	202
203	EXISTING FOYER	3'-0" x 7'-0" x 1 3/4"	-	EXIST'G	PAINTED HM.	-	-	3 HR.	-	203
204	VESTIBULE	3'-0" x 7'-0" x 1 3/4"	-	EXIST'G	PAINTED HM.	-	-	90 MIN.	-	204
205	STAIR HELL	3'-0" x 7'-0" x 1 3/4"	-	-	-	-	-	-	GATE - REFER TO A6J-01	205
301	STEEPLE BASE ACCESS	3'-0" x 2'-6" x 1 3/4"	-	-	-	-	-	-	-	301



**DOOR &
WINDOW
DETAILS**
MISC. DETAILS

**CLEMMONS FIRST
BAPTIST CHURCH
NARTHEX ADDITION**

