

PANEL: A		TYPE: NQ		V/I/W: 120/208V 3Ø 4W				
MAINS: 400A MLO		LUGS: (2) #250 MCM AL		S/C RATING: 22KA				
FEED: TOP		MOUNTING: FLUSH						
CKT	LOAD	BKR	A	B	C	BKR	LOAD	CKT
1	LIGHTS	20/1	1.8	-	-	20/1	RECEPTACLES	2
3	LIGHTS	20/1	-	0.9	-	20/1	RECEPTACLES	4
5	LIGHTS	20/1	-	-	1.1	20/1	RECEPTACLES	6
7	LIGHTS	20/1	1.3	-	-	20/1	RECEPTACLES	8
9	LIGHTS (THRU TC)	20/1	-	0.6	-	20/1	RECEPTACLES (ROOF)	10
11	SPARE BREAKER	20/1	-	-	-	20/1	SPARE BREAKER	12
13	SPARE BREAKER	20/1	-	-	-	20/1	SPARE BREAKER	14
15	SPARE BREAKER	20/1	-	-	-	20/1	SPARE BREAKER	16
17	SPARE BREAKER	20/1	-	-	-	20/1	SPARE BREAKER	18
19	BLANK SPACE						BLANK SPACE	20
21	BLANK SPACE						BLANK SPACE	22
23	BLANK SPACE						BLANK SPACE	24
25	SUMP PUMP	20/1	0.5	-	-		BLANK SPACE	26
27	HW RECIRCULATION PUMP	20/1	-	0.5	-		BLANK SPACE	28
29	WATER HEATER CONTROLS	20/1	-	-	0.3		BLANK SPACE	30
31	WATER HEATER	60/3	18.2	-	-	150/3	PANEL B	32
33				18.5	-			34
35					19.7			36
37	RTU1	110/3	19.8	-	-	110/3	RTU2	38
39				19.8	-			40
41					19.8			42
TOTAL KW			41.6	40.3	40.9			
TOTAL AMPS			347	336	341			

PANEL: B		TYPE: NQ		V/I/W: 120/208V 3Ø 4W				
MAINS: 150A MLO		LUGS: #3/0 AWG AL		S/C RATING: 10KA				
FEED: BOTTOM		MOUNTING: FLUSH						
CKT	LOAD	BKR	A	B	C	BKR	LOAD	CKT
1	RICE COOKER (G)	20/1	3.9	-	-	20/1	ICE MACHINE (G)	2
3	RICE COOKER (G)	20/1	-	3.1	-	20/1	DISHWASHER (G)	4
5	RICE COOKER (G)	20/1	-	-	2.5	20/1	LINE COLD WELL (G)	6
7	SALAD WELL (G)	20/1	0.5	-	-		BLANK SPACE	8
9	BLANK SPACE			1.8	-	20/1	SOUP/QUESO WELL (G)	10
11	CHIP WARMER (G)	20/1	-	-	2.6	20/1	SOUP/QUESO WELL (G)	12
13	BLANK SPACE						BLANK SPACE	14
15	POWER MIXER (G)	20/1	-	0.7	-		BLANK SPACE	16
17	FOOD PROCESSOR (G)	20/1	-	-	1.9	20/1	DRINK COOLER (G)	18
19	DICER (G)	20/1	2.4	-	-	20/1	REFRIGERATED ISLAND (G)	20
21	HOOD LIGHTS/CONTROLS (G)	20/1	-	0.7	-	20/1	DISPLAY SCREEN (G)	22
23	BLANK SPACE			0.4	-	20/1	RECEPTACLES (G)	24
25	BLANK SPACE			0.4	-	20/1	RECEPTACLES	26
27	HOOD EXHAUST FAN	20/2	-	2.0	-	20/1	RECEPTACLES	28
29				2.4	-	20/1	RECEPTACLES	30
31	HOOD SUPPLY FAN	20/2	2.5	-	-	30/3	COOLER	32
33				2.5	-			34
35	HOT WELL	25/2	-	-	3.4			36
37				2.5	-	20/1	SALSA COLD WELL	38
39	BLANK SPACE			1.7	-	20/1	TEA MACHINE	40
41	BLANK SPACE			0.5	-	20/1	DRINK DISPENSER	42
TOTAL KW			12.2	12.5	13.7			
TOTAL AMPS			102	104	114			

LIGHTING FIXTURE SCHEDULE						
TYPE	MFG	MODEL	LAMP	VOLT	COMMENTS	
A	LITHONIA	ZSPB G 3 32 A12125 MVOLT 1/3 GEB10IS LP735	F32TB	120		
AA	LITHONIA	ZSPB G 3 32 A12125 MVOLT GEB10IS LP735 EL14	F32TB	120		W/EMERG BALLAST
B	LITHONIA	C 2 32 MVOLT GEB10IS WDGUN NST	F32TB	120		
C	LITHONIA	AF 1/130TT 6AR MVOLT	CF130TT	120		
D	ABOLITE	RWD 200 10 NW LED UE GBK LDS96 WL	LED	120		
E	LITHONIA	ELM2 LED	LED	120		W/EMERG BATTERY
F	ABOLITE	RWD 200 10 NW LED UE RUS LDS96 WL	LED	120		
		GB D 3 GWT	N/A	N/A		GOOSENECK BRACKET
T1	LITHONIA	LTH FLT8 PAR30 DBL WLPS30L 40K	15W PAR30 LED	120		5 HEADS
		LT_BL	N/A	N/A		26 FT. TRACK
T2	LITHONIA	LTH FLT8 PAR30 DBL WLPS30L 40K	15W PAR30 LED	120		8 HEADS
		LT_BL	N/A	N/A		40 FT. TRACK
T3	LITHONIA	LTH FLT8 PAR30 DBL WLPS30L 40K	15W PAR30 LED	120		6 HEADS
		LT_BL	N/A	N/A		28 FT. TRACK
T4	LITHONIA	LTH FLT8 PAR30 DBL WLPS30L 40K	15W PAR30 LED	120		3 HEADS
		LT_BL	N/A	N/A		10 FT. TRACK
X	LITHONIA	LHQM LED R	LED	120		W/EMERG BATTERY
XA	LITHONIA	LHQM LED R HO RO	LED	120		EMERG BATTERY
XB	LITHONIA	ELA QMP L0309	LED	N/A		EMERGENCY HEAD
XC	LITHONIA	LHQM LED R HO	LED	120		W/EMERG BATTERY

SPECIFICATIONS

GENERAL - ALL WORK SHALL CONFORM TO THE NATIONAL ELECTRICAL CODE (NFPA 70-2014) AND ALL APPLICABLE STATE AND LOCAL CODES. ALL MATERIALS SHALL BE NEW AND UL LISTED/LABELED AS APPROPRIATE. FINAL LOCATIONS FOR ROUGH-INS SHALL BE VERIFIED WITH THE ACTUAL EQUIPMENT BEING CONNECTED. AFTER COMPLETING INSTALLATION, REMOVE DIRT AND CONSTRUCTION DEBRIS FROM ALL ELECTRICAL WORK.

CONDUCTORS - CONDUCTOR INSULATION SHALL COMPLY WITH NEMA WC 5. CONDUCTORS #8 AWG AND LARGER SHALL BE CONCENTRIC STRANDED. CONDUCTORS #10 AND SMALLER SHALL BE SOLID.

TYPE AND INSULATION (SERVICE): ALUMINUM, TYPE THWN/THHN
TYPE AND INSULATION (FEEDER): ALUMINUM, TYPE THWN/THHN
TYPE AND INSULATION (BRANCH-EXPOSED): COPPER, TYPE THWN/THHN
TYPE AND INSULATION (BRANCH-CONCEALED): COPPER, TYPE MC CABLE

COLOR CODING (208/120 V. 3Ø): A- BLACK, B-RED, C-BLUE

RACEWAYS - CONDUIT BODIES AND FITTINGS FOR RIGID METAL CONDUIT SHALL BE LISTED THREADED TYPE. CONDUIT FITTINGS FOR ELECTRICAL METALLIC TUBING SHALL BE COMPRESSION TYPE.

OUTDOORS EXPOSED: RIGID GALVANIZED STEEL CONFORMING TO ANSI #20.5
OUTDOORS UNDERGROUND: RIGID NON-METALLIC CONDUIT (SCHEDULE 40 PVC) CONFORMING TO NEMA TO 2
OUTDOORS CONNECTED TO VIBRATING OR IMPACTED EQUIPMENT: LIQUIDTIGHT FLEXIBLE METAL CONDUIT CONFORMING TO ANSI #360

INDOORS CONCEALED: ELECTRICAL METALLIC TUBING CONFORMING TO ANSI C80.3
INDOORS EXPOSED: ELECTRICAL METALLIC TUBING CONFORMING TO ANSI C80.3
INDOORS CONNECTED TO VIBRATING OR IMPACTED EQUIPMENT: FLEXIBLE METALLIC CONDUIT CONFORMING TO UL #360

OUTLET BOXES - BOXES SHALL CONFORM TO NEMA OS 1. BOXES SHALL BE SHEET METAL TYPE WITH PLASTER FINISH IN DRY LOCATIONS. BOXES SHALL BE CAST METAL TYPE WITH GASKETED COVER IN DAMP OR WET LOCATIONS.

FULL AND PARTIAL BOXES - BOXES SHALL BE HOT-DIPPED GALVANIZED STEEL. BOX COVERS SHALL BE GASKETED TYPE WITH SCREWED OR BOLTED FASTENERS.

SWITCH DEVICES - DEVICES SHALL CONFORM TO NEMA WD 1 AND WD 6. DEVICES SHALL BE COMMERCIAL SPECIFICATION GRADE OR BETTER. DEVICES SHALL BE OF THE GROUNDING TYPE. DEVICES SHALL BE MOUNTED FLUSH WITH THE LONG DIMENSION VERTICAL AND GROUNDING TERMINAL OF RECEPTACLES ON TOP. SWITCHES SHALL BE QUIET TYPE RATED 20 AMPERES AT 120/277 VOLTS. GROUND-FAULT CIRCUIT INTERRUPTERS SHALL BE FEED-THROUGH TYPE. WEATHERPROOF COVERS SHALL BE PROVIDED IN DAMP OR WET LOCATIONS.

DEVICE COLOR: IVORY, UNLESS OTHERWISE INDICATED
DEVICE COVER: SMOOTH PLASTIC WITH COLOR TO MATCH DEVICE COLOR

GROUNDING - GROUNDING AND BONDING COMPONENTS SHALL CONFORM WITH UL 467. AN INSULATED EQUIPMENT GROUNDING CONDUCTOR SHALL BE INSTALLED WITH CIRCUIT CONDUCTORS FOR ALL FEEDER AND BRANCH CIRCUITS.

PANELBOARDS - PANELBOARDS SHALL CONFORM TO NEMA PB 1. PANELBOARDS SHALL BE PROVIDED WITH AN EQUIPMENT GROUND BUS AND SHALL BE BONDED TO THE PANEL BOX. PANELBOARDS EQUIPPED WITH SERVICE DISCONNECT(S) SHALL BE LISTED FOR USE AS SERVICE EQUIPMENT. CIRCUIT BREAKERS IN PANELBOARDS MAY BE SERIES RATED FOR AIC RATING. CIRCUIT BREAKERS SHALL BE LISTED FOR SWD OR HACR USE AS APPROPRIATE. MULTIPOLE CIRCUIT BREAKERS SHALL HAVE A COMMON TRIP. TANDEM CIRCUIT BREAKERS SHALL NOT BE USED. FILLER PLATES SHALL BE INSTALLED IN ALL UNUSED SPACES. A TYPED OR COMPUTER GENERATED CIRCUIT DIRECTORY SHALL BE INSTALLED ON THE INSIDE OF PANELBOARD DOORS.

DISCONNECT SWITCHES - DISCONNECT SWITCHES SHALL BE FUSED OR NONFUSED AS INDICATED AND SHALL CONFORM TO NEMA KS 1 TYPE. HD DISCONNECT SWITCHES SHALL BE HANDLE LOCKABLE AND INTERLOCKED WITH THE COVER IN THE CLOSED POSITION. ENCLOSURES SHALL BE NEMA TYPE 1 IN DRY LOCATIONS AND NEMA TYPE 3R IN DAMP OR WET LOCATIONS.

FUSES - FUSES SHALL BE CARTRIDGE TYPE AND SHALL CONFORM TO NEMA FU 1. FUSE VOLTAGE RATING SHALL BE CONSISTENT WITH CIRCUIT VOLTAGE. FUSES SHALL BE ARRANGED IN FUSIBLE EQUIPMENT SUCH THAT THE FUSE RATINGS ARE READABLE WITHOUT REMOVING THE FUSE.

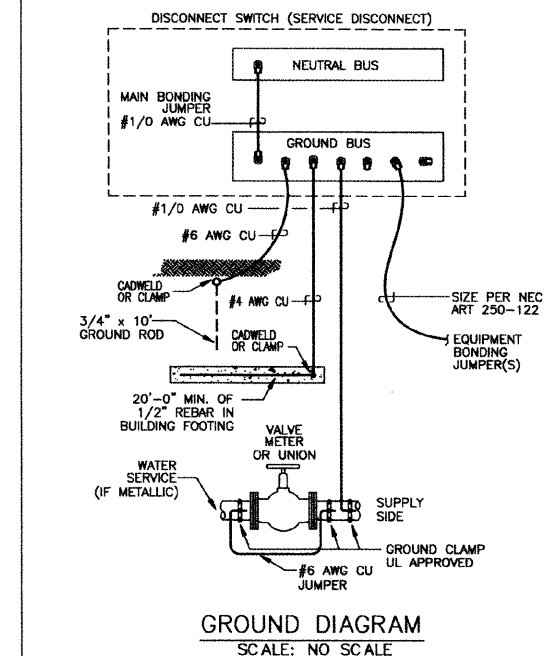
MOTOR FEEDER AND BRANCH CIRCUITS: UL CLASS RK 5, TIME DELAY
OTHER FEEDER AND BRANCH CIRCUITS: UL CLASS RK1 NON-TIME DELAY

INTERIOR LIGHTING - FIXTURE MOUNTING HARDWARE AND TRIM SHALL BE COORDINATED WITH THE CEILING SYSTEM. RECESSED FIXTURES SHALL BE SUPPORTED FROM THE BUILDING STRUCTURAL SYSTEM. FLUORESCENT FIXTURE BALLASTS SHALL BE CBM LABELED, CLASS P, SOUND RATING "A", ELECTRONIC, HIGH POWER FACTOR TYPE.

ELECTRICAL IDENTIFICATION - ALL PANELBOARDS AND DISCONNECT SWITCHES SHALL BE IDENTIFIED WITH SELF-ADHESIVE TYPE LABELS. LETTERING SHALL BE 1/2 INCHES HIGH AND SHALL BE BLACK ON A YELLOW BACKGROUND.

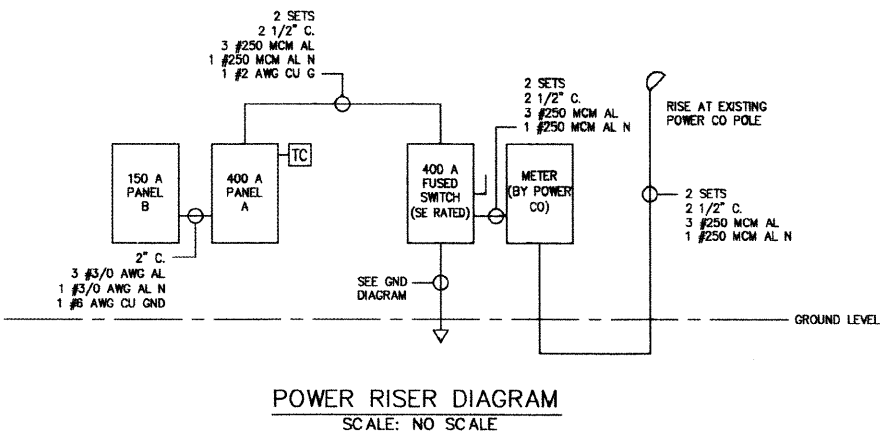
VOICE & DATA SYSTEM - PROVIDE OUTLET BOX WITH 3/4" EMPTY RACEWAY STUBBED ABOVE LIFT-OUT CEILING. PROVIDE PULL STRING IN EMPTY RACEWAYS.

LIGHTING TIME CLOCK - PROVIDE TIME CLOCK EQUAL TO TORK CATALOG NO. DG120.



TYPE	DESCRIPTION	REMARKS
○ ₁	120V, 1Ø EXHAUST FAN	SWITCH WITH LIGHTS
○ ₂	208V, 1Ø HOOD SUPPLY FAN	LOCAL DISCONNECT
○ ₃	208V, 1Ø HOOD EXHAUST FAN	LOCAL DISCONNECT
○ ₄	87.5 MCA, 208V, 3Ø ROOFTOP UNIT	LOCAL DISCONNECT
○ ₅	81.7 MCA, 208V, 3Ø ROOFTOP UNIT	LOCAL DISCONNECT
● ₁	120V, 1Ø RICE COOKER	PLUG/CORD DISCONNECT
● ₂	120V, 1Ø ICE MACHINE	PLUG/CORD DISCONNECT
● ₃	120V, 1Ø DISHWASHER	PLUG/CORD DISCONNECT
● ₄	120V, 1Ø SALAD WELL	PLUG/CORD DISCONNECT
● ₅	208V, 1Ø HOT WELL	PLUG/CORD DISCONNECT
● ₆	120V, 1Ø LINE COLD WELL	PLUG/CORD DISCONNECT
● ₇	120V, 1Ø SOUP/QUESO WELL	PLUG/CORD DISCONNECT
● ₈	120V, 1Ø CHIP WARMER	PLUG/CORD DISCONNECT
● ₉	120V, 1Ø SALSA COLD WELL	PLUG/CORD DISCONNECT
● ₁₀	120V, 1Ø TEA MACHINE	PLUG/CORD DISCONNECT
● ₁₁	120V, 1Ø DRINK COOLER	PLUG/CORD DISCONNECT
● ₁₂	120V, 1Ø DRINK DISPENSER	PLUG/CORD DISCONNECT
● ₁₃	120V, 1Ø POWER MIXER	PLUG/CORD DISCONNECT
● ₁₄	120V, 1Ø FOOD PROCESSOR	PLUG/CORD DISCONNECT
● ₁₅	120V, 1Ø DICER	PLUG/CORD DISCONNECT
● ₁₆	120V, 1Ø REFRIGERATED ISLAND	PLUG/CORD DISCONNECT
● ₁₇	120V, 1Ø HOOD LIGHTS/CONTROLS	HARD WIRED
● ₁₈	208V, 3Ø COOLER (SINGLE POINT CONNECTION)	LOCAL DISCONNECT
● ₁₉	120V, 1Ø GAS WATER HEATER CONTROLS	HARD WIRED
● ₂₀	120V, 1Ø HW RECIRCULATION PUMP	PLUG/CORD DISCONNECT
● ₂₁	120V, 1Ø SUMP PUMP	PLUG/CORD DISCONNECT
● ₂₂	120V, 1Ø WATER HEATER	LOCAL DISCONNECT

TYPE	DESCRIPTION	REMARKS
□	2" X 4" FIXTURE	SEE FIXTURE SCHEDULE
□	STRIP FIXTURE	SEE FIXTURE SCHEDULE
○	DOWN LIGHT FIXTURE	SEE FIXTURE SCHEDULE
○	WALL LIGHT FIXTURE	SEE FIXTURE SCHEDULE
○	CEILING EXIT FIXTURE	SEE FIXTURE SCHEDULE
○	WALL EXIT FIXTURE	SEE FIXTURE SCHEDULE
○	WALL EXIT/EMERGENCY FIXTURE	SEE FIXTURE SCHEDULE
○	WALL EMERGENCY FIXTURE	SEE FIXTURE SCHEDULE
○	DOUBLE POLE SWITCH	C/L 48" AFF UON
○	THREE-WAY SWITCH	C/L 48" AFF UON
○	FOUR-WAY SWITCH	C/L 48" AFF UON
○	DUPLEX RECEPTACLE, 20A, 120V	C/L 18" AFF UON
○	DUPLEX RECEPTACLE, 20A, 120V	C/L 48" AFF UON
○	MOTOR CONNECTION	SEE SCHEDULE
○	SPECIAL OUTLET	SEE SCHEDULE
○	FUSED DISCONNECT SWITCH	
○	VOICE/DATA OUTLET	C/L 18" AFF UON
UON	UNLESS OTHERWISE NOTED	
G	GROUND FAULT	
W	WEATHERPROOF	
TC	LIGHTING TIME CLOCK	SEE SPECIFICATIONS
C	CEILING MOUNTED	
NL	NIGHT LIGHT (NON-SWITCHED)	
—	BRANCH CIRCUIT RACEWAY/CABLE	CONCEALED IN FINISHES
—	NO. OF #12 CONDUCTORS AS INDICATED	
—	BRANCH CIRCUIT RACEWAY/CABLE	EXPOSED ON FINISHES
—	NO. OF #12 CONDUCTORS AS INDICATED	



Order Plans @ WWWW.COM

DIABLOS SOUTHWESTERN GRILLE
 3102 Washington Rd.
 Martinez, GA 30907

Print Record
 11-19-15

Drawn By:
 Checked by:
 Date: 3/18/16

Revisions

Sheet Title

Sheet No.
 E-04
 Scale: