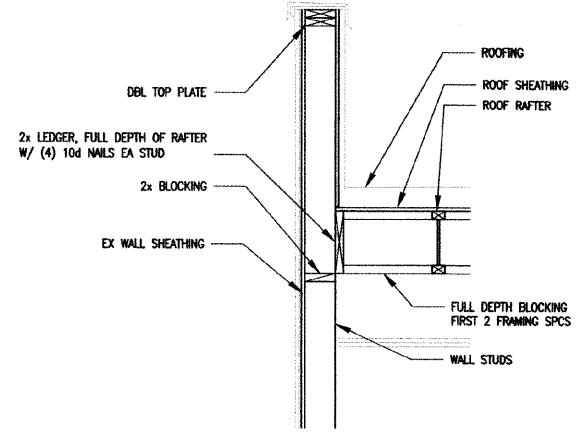
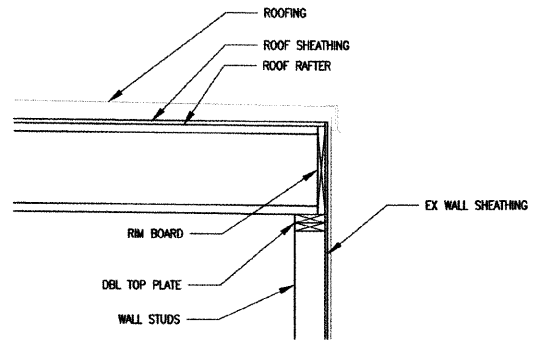


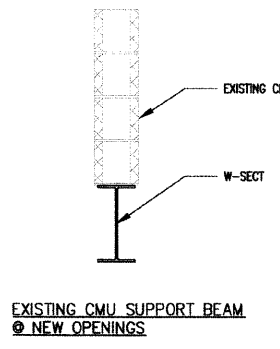
This drawing is the property of J. E. STEWART ENGINEERING, INC. The design concepts and information contained herein are proprietary to this company and are submitted in confidence. They are not transferable and must be used only for the purpose for which the drawing is expressly issued. They must not be disclosed, reproduced or otherwise used in any manner detrimental to the interest of J. E. STEWART ENGINEERING, INC.



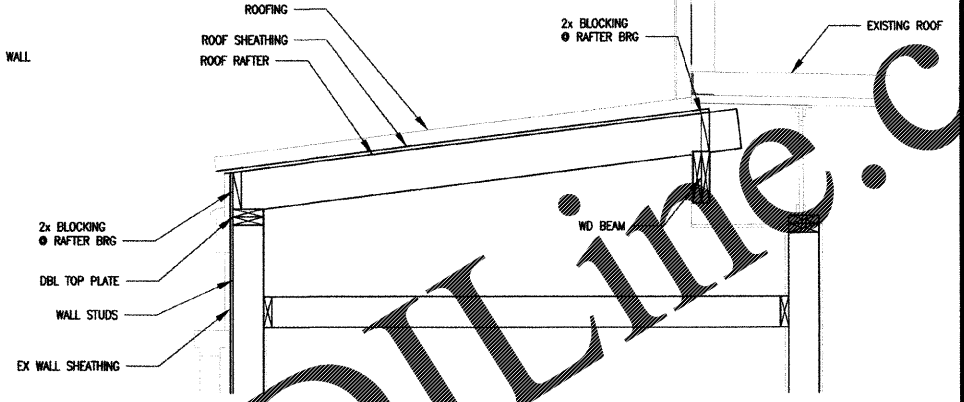
**1 DETAIL**  
S201 Scale: NTS



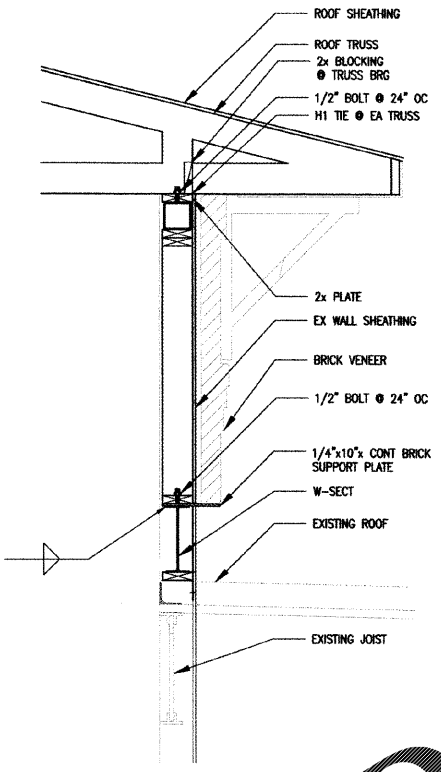
**2 DETAIL**  
S201 Scale: NTS



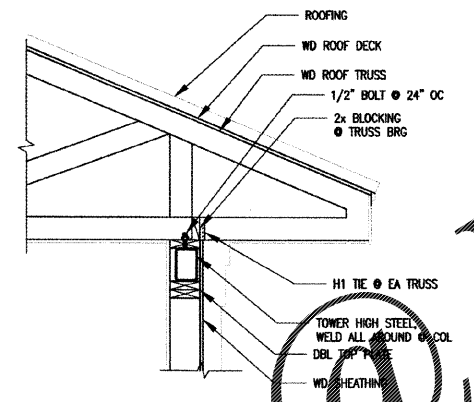
**3 DETAIL**  
S201 Scale: NTS



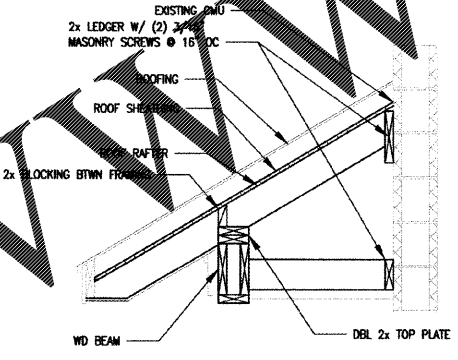
**4 DETAIL**  
S201 Scale: NTS



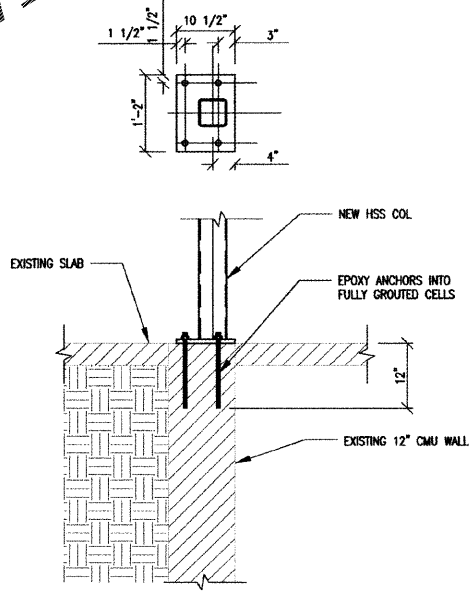
**5 DETAIL**  
S201 Scale: NTS



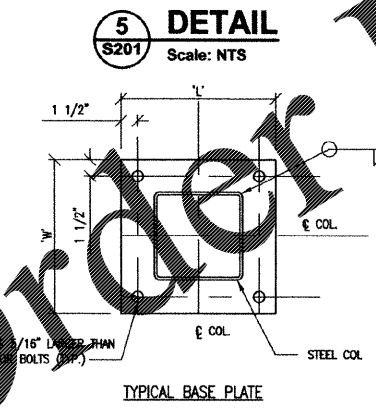
**6 DETAIL**  
S201 Scale: NTS



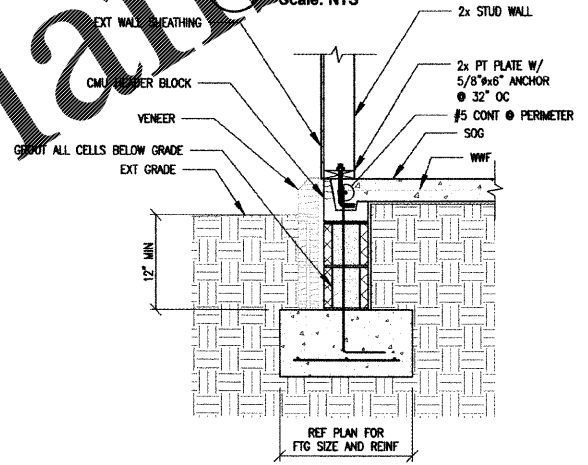
**7 DETAIL**  
S201 Scale: 3/4\"/>



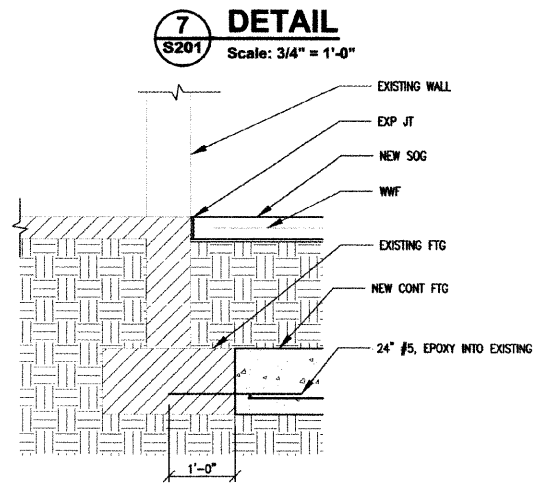
**8 DETAIL**  
S201 Scale: 3/4\"/>



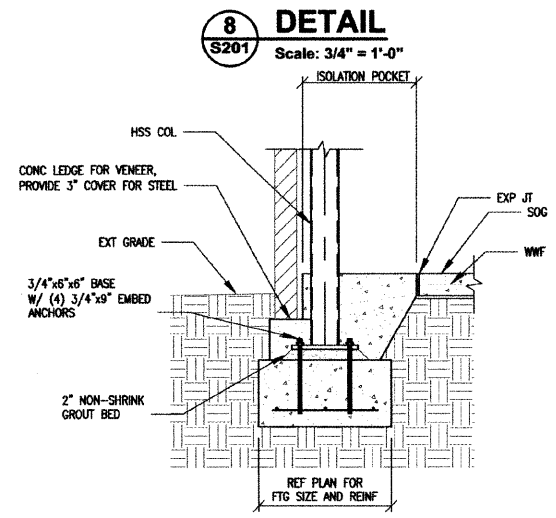
**9 DETAIL**  
S201 Scale: 3/4\"/>



**10 DETAIL**  
S201 Scale: 3/4\"/>



**11 DETAIL**  
S201 Scale: 3/4\"/>



**12 DETAIL**  
S201 Scale: 3/4\"/>

WWW.LDLine.com

DIABLOS

CITY OF AUGUSTA, GEORGIA

REV	DATE	DESCRIPTION	APP

ISSUE DATE: MAR 28, 2016  
DESIGNED BY: JES DRAWN BY: JES  
CHECKED BY: SUBMITTED BY: JES

STRUCTURAL

STRUCTURAL  
DETAILS

S201