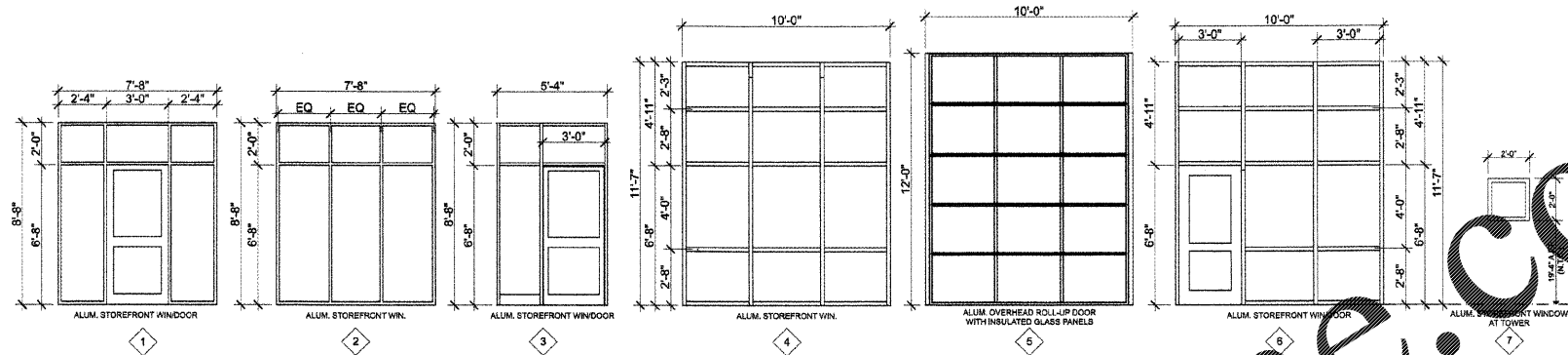
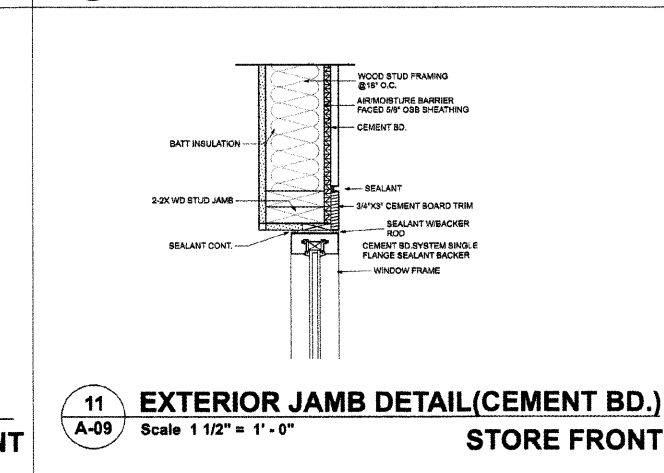
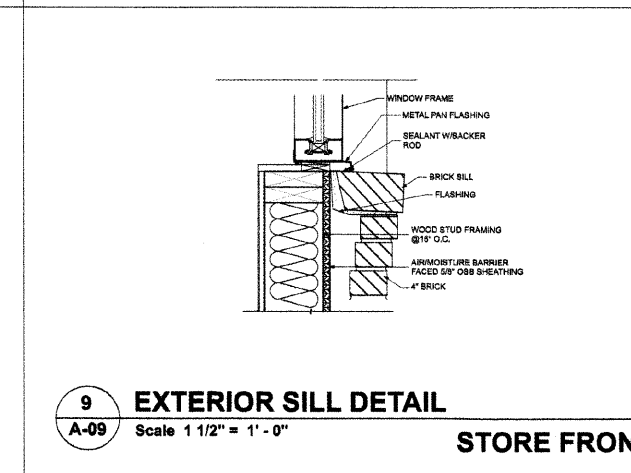
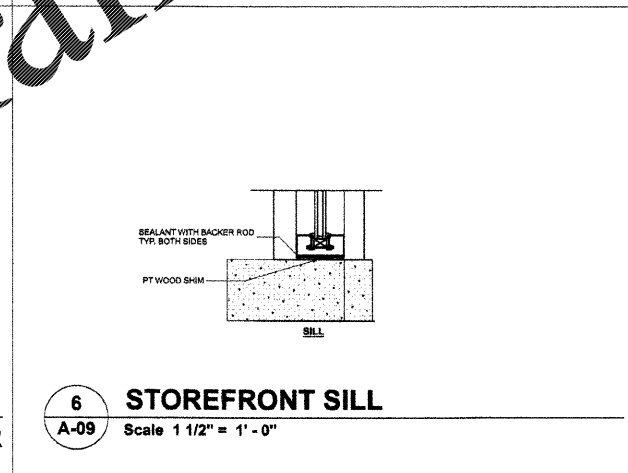
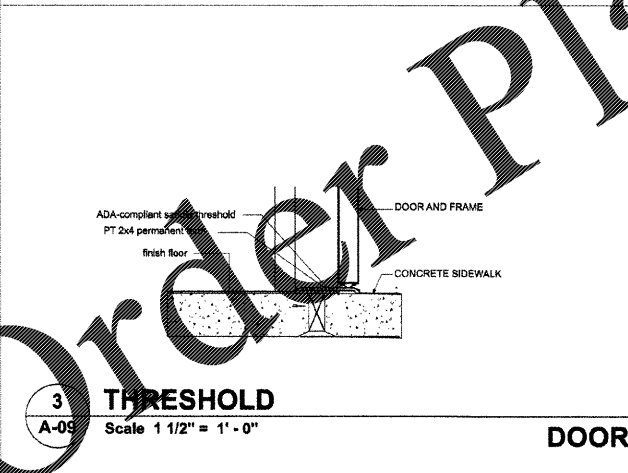
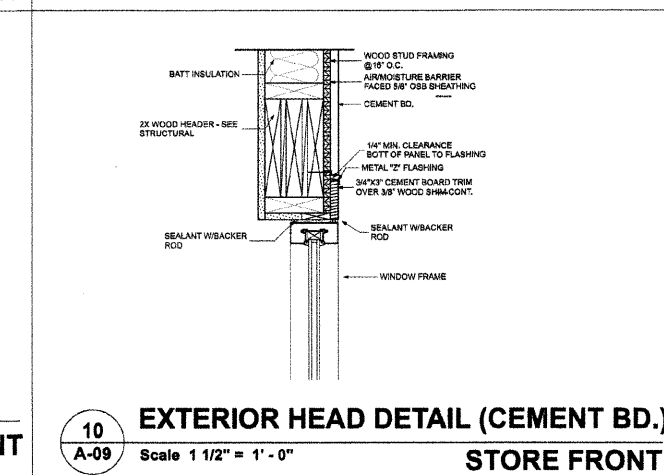
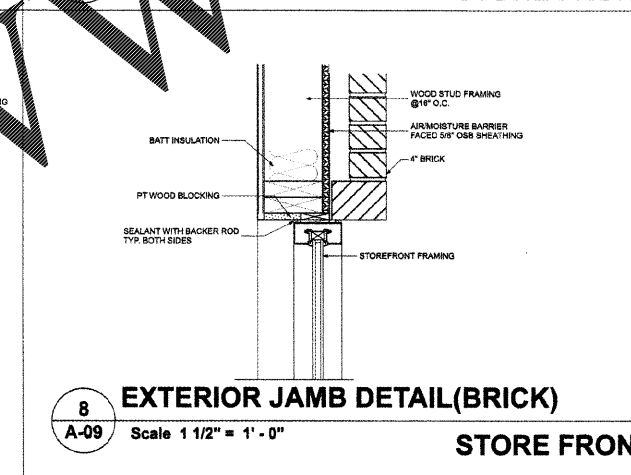
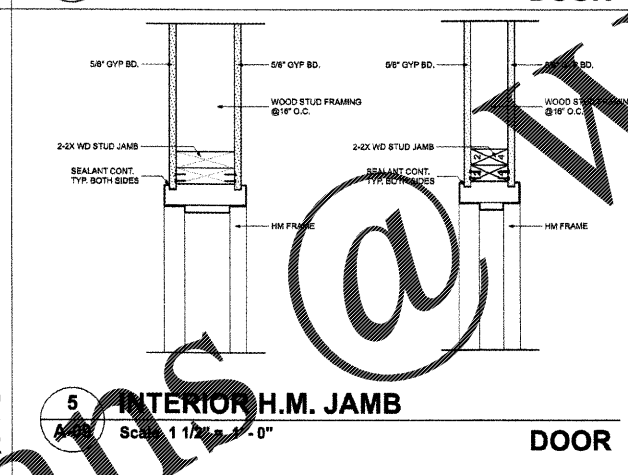
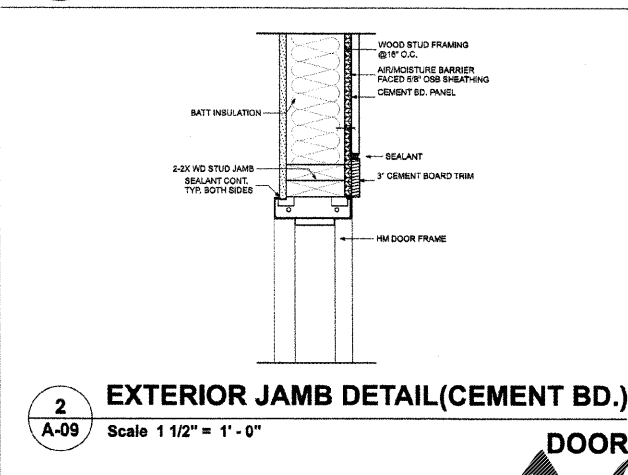
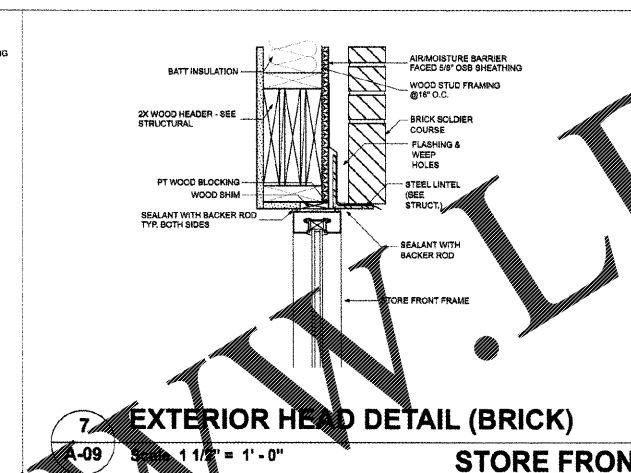
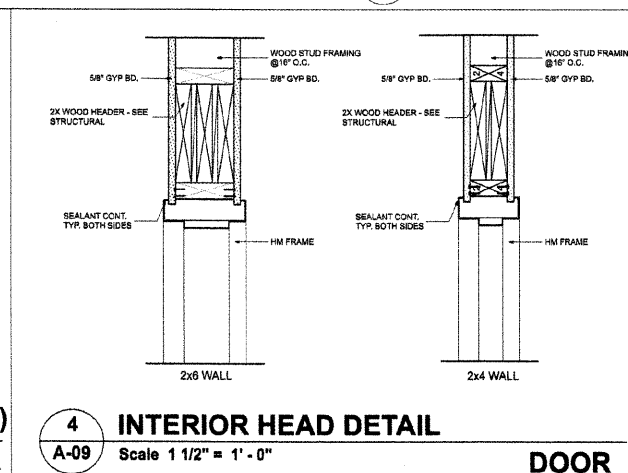
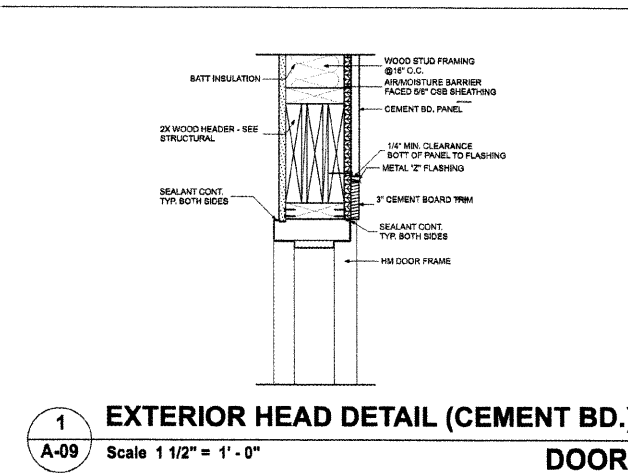


DOOR SCHEDULE											
NO	ELEV.	SIZE	MTL	FINISH	RATING	FRAME	FINISH	ELEV.	JAMB	HEAD	COMMENT
W1	W1	3'-0" x 6'-8"	ALUM/GLASS	-	-	ALUM	-	W1	8	7	LOCK
W3	W3	3'-0" x 6'-8"	ALUM/GLASS	-	-	ALUM	-	W3	11	10	LOCK
W6	W6	10'-0" x 12'-0"	ALUM/GLASS	-	-	ALUM	-	W6			LOCK PANEL/O.H. DOOR
W7	W7	3'-0" x 6'-8"	ALUM/GLASS	-	-	ALUM	-	W7			LOCK
105	A	3'-0" x 6'-8"	WOOD	PAINT	-	HOLLOW METAL	PAINT	F1	5	4	LOCK
106	A	3'-0" x 6'-8"	WOOD	PAINT	-	HOLLOW METAL	PAINT	F1	5	4	LOCK
107	A	3'-0" x 6'-8"	WOOD	PAINT	-	HOLLOW METAL	PAINT	F1	5	4	DOUBLE ACTING
108	B	3'-0" x 6'-8"	HOLLOW METAL	PAINT	-	HOLLOW METAL	PAINT	F1	2	1	LOCK
PRE FAB COOLER DOOR											
109	A	3'-0" x 6'-8"	WOOD	PAINT	-	HOLLOW METAL	PAINT	F1	5	4	LOCK
112	B	3'-0" x 6'-8"	HOLLOW METAL	PAINT	1-HR	HOLLOW METAL	PAINT	F1	5	4	LOCK

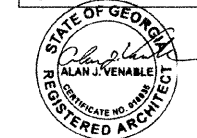


1 WINDOW & DOOR ELEVATIONS
A-08 SCALE: 1/4" = 1'-0"



1 DOOR AND WINDOW DETAILS
A-08 SCALE: 1 1/2" = 1'-0"

INTERNET SPACE PLANNING
1017 ST. AUGUSTA, GA 30901
706.724.4800 TOLL FREE 724.4800 FAX
Alan Venable Architect LLC
2114 Piedmont Dr.
Augusta, Ga. 30904 PH: 706.722.7414



DIABLOS SOUTHWESTERN GRILLE
3102 Washington Rd.
Martinez, GA 30907
Date: 04-24-16
Approved by:

Print Record
04-24-16
Drawn By: GKD
Checked by: Alan Venable
Date: 4/24/16

Revisions

Sheet Title
Street No.
A-08
Scale: