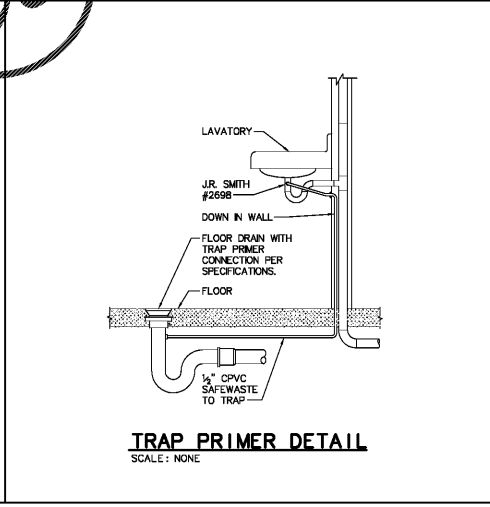
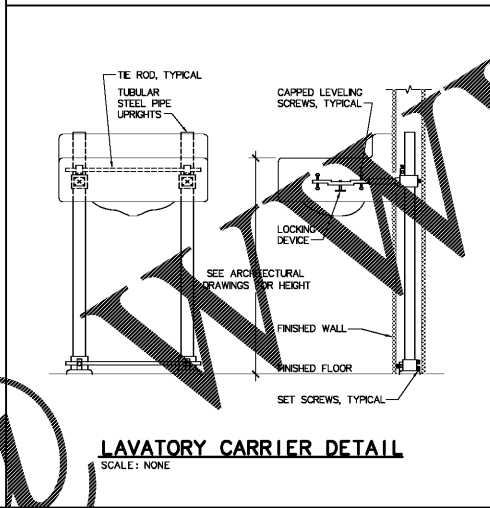
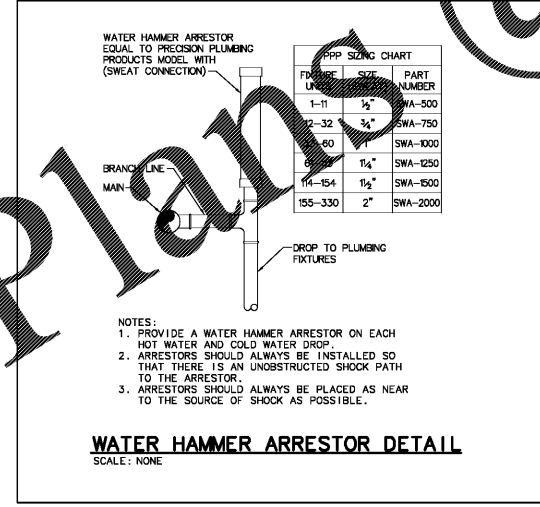
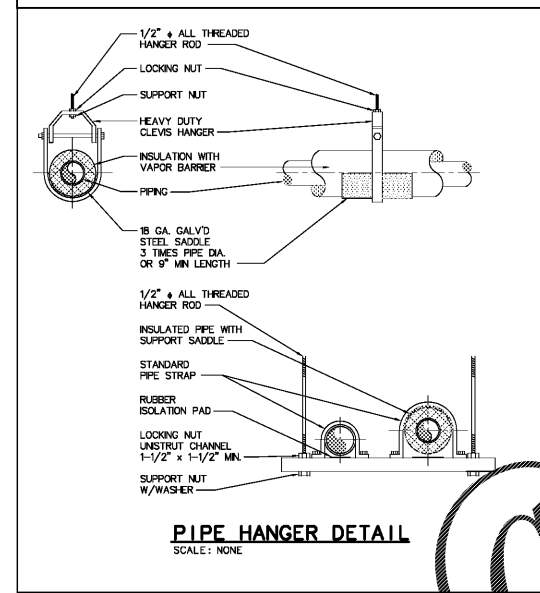
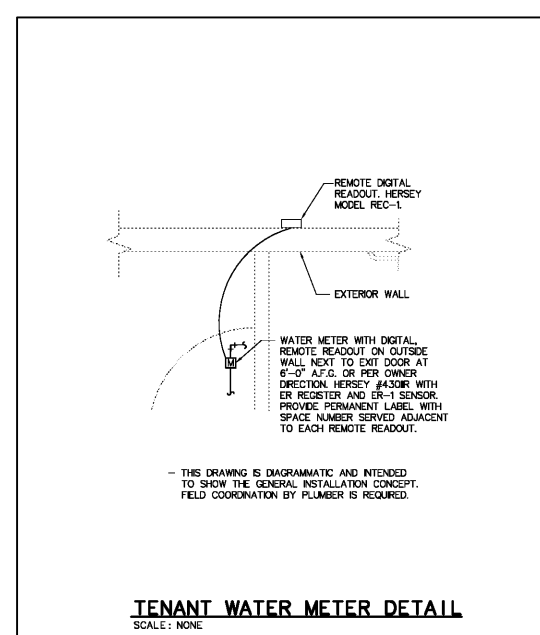


1\131207 Public Leasing\plan\CA31111207 P200.dwg, 4/23/20, 8/17/2017 5:21:34 PM, cde helen, 01999a.plt, ARCH, L1, 11

Order Plans @

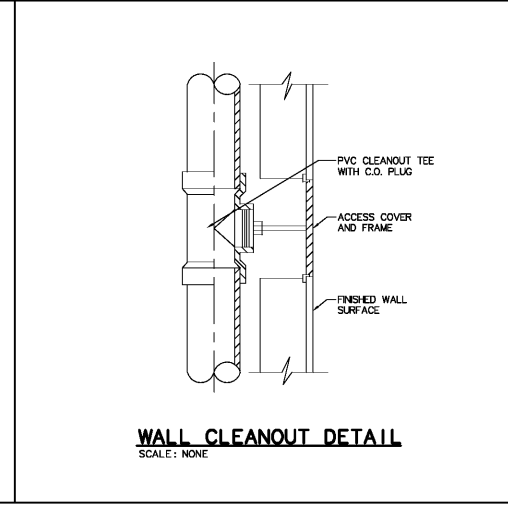
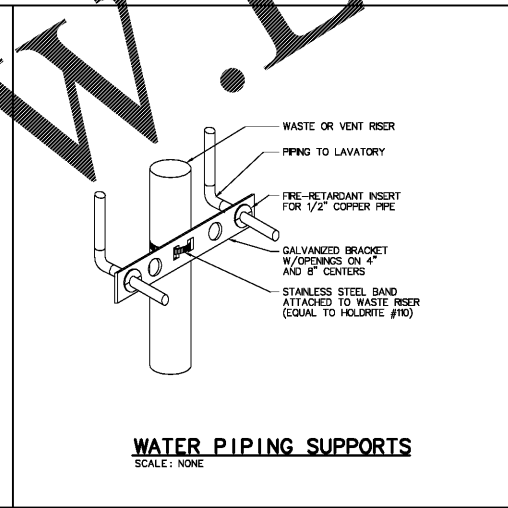


WATER DEMAND TENANT

ABBR.	FIXTURE	CW EACH	HW EACH	TOTAL EACH	QTY EACH	TOTAL ALL
WC-HC	WATER CLOSET - TANK TYPE	5.0	—	5.0	1	5.0
LAV-HC	LAVATORY	15	—	15	1	20
EW-C	ELECTRIC WATER COOLER	0.25	—	0.25	1	0.25
TOTAL WSFU						7.25
TOTAL GPM		12.3 GPM		PPE SIZE=		3/4"

PLUMBING FIXTURE SCHEDULE

MARK	FIXTURE, MODEL #, DESCRIPTION	ROUGH-IN			
		WASTE	VENT	CW	HW
WC-HC	WATER CLOSET, HANDICAPPED AMERICAN STANDARD "CADET" #2467.018 WHITE ELONGATED, "PRESSURE ASSISTED 1.6 GALLON FLUSH, TANK TYPE WATER CLOSET, GLSSNITE #95 WHITE SEAT, CP STOP AND SUPPLY.	3"	2"	1/2"	—
LAV-HC	LAVATORY, WALL HUNG, HANDICAPPED AMERICAN STANDARD "LUCRENE" #0355.012 WITH #7401.172H 6" GOOSENECK FAUCET AND 4" WRIST BLADE HANDLES, 1-1/2" CP P-TRAP, CP STOPS, SUPPLIES.	1-1/2"	2"	1/2"	1/2"
EW-C	ELECTRIC WATER COOLER, DUAL LEVEL, HANDICAPPED ELKAY EZSTIBC COOLER, STANDARD COLOR, 1-1/2" 20 GAUGE CP P-TRAP, LESS CO, STOP AND SUPPLIES - 4" O.P.L.A. R134A REFRIGERANT, MOUNT LOWER BOWL NOZZLE AT 30" A.F.F. FOR ADA.	1-1/2"	2"	1/2"	—
FD	FLOOR DRAIN ZURN Z415-BB-P 6" FLOOR DRAIN WITH TRAP-PRIMER CONNECTION AND TYPE "B" STRAINER.	3"	2"	1/2"	—
WCO	WALL CLEANOUT ZURN Z1400 D.C.C.I. BODY ADJUSTABLE TO FINISHED FLOOR.	SEE PLAN	—	—	—
IWH	INSTANTANEOUS WATER HEATER CHROMITE M-20L 0.9 GPM @ 33°F RISE, 2400 WATTS WITH MICROPROCESSOR CONTROL AT 120 VOLTS. INSTALL ON WALL BENEATH SINK AS INDICATED. MOCF = 20A	—	—	1/2"	2"
WH	WALL HYDRANT ZURN Z-1320-C ECOLOTROL WALL HYDRANT SELF-DRAINING, NON FREEZE ANTISIPHON WITH POLISHED NICKEL BRONZE BOX AND LOCKING COVER. PROVIDE WITH 3/4" HOSE CONNECTION AND INTEGRAL BACKFLOW PREVENTER. MOUNT AT 18" A.F.F.G. COORDINATE WITH ARCHITECT.	—	—	—	—

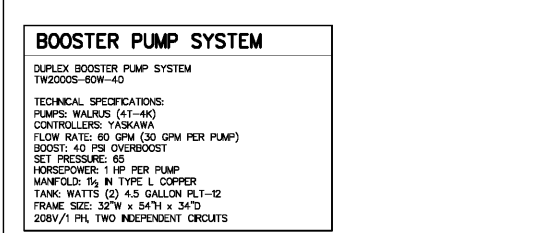


PLUMBING GENERAL NOTES

- THE REQUIREMENTS OF THESE GENERAL NOTES SHALL APPLY TO ALL PLUMBING WORK. INSTALLATION SHALL BE IN ACCORDANCE WITH THE 2015 SOUTH CAROLINA BUILDING CODE, STATE AND LOCAL CODES AND THE LATEST AMENDMENTS THERETO.
- THE WORK COVERED BY THIS CONTRACT CONSISTS OF FURNISHING ALL LABOR, EQUIPMENT, MATERIALS AND SERVICE NECESSARY FOR AND REASONABLY INCIDENTAL TO THE PROPER COMPLETION OF ALL PLUMBING WORK SHOWN ON THE DRAWINGS AND SPECIFIED. MATERIALS OR PRODUCTS SPECIFIED BY TRADE NAME, MANUFACTURER'S NAME OR CATALOG NUMBER SHALL BE INTERPRETED AS ESTABLISHING A STANDARD OF QUALITY AND DESIGN. SUBSTITUTIONS SHALL NOT BE ALLOWED UNLESS THEY ARE SUBMITTED FOR REVIEW TO USE AND APPROVED BY THE ARCHITECT. FIXTURES BY ELJER, KOHLER OR AMERICAN-STANDARD ARE APPROVED EQUIVAL.
- FURNISH SIX (6) COPIES OF SHOP DRAWINGS OF EQUIPMENT OR FIXTURES FOR APPROVAL PRIOR TO PURCHASING.
- PLUMBING CONTRACTOR SHALL COORDINATE WITH ARCHITECTURAL, CIVIL, STRUCTURAL, ELECTRICAL, FIRE PROTECTION, MECHANICAL AND ALL OTHER TRADES FOR PIPE ROUTING AND EQUIPMENT PLACEMENT. AVOID INTERFERENCE WITH ARCHITECTURAL FEATURES, BEAMS, FOOTINGS, WINDOWS, ETC. NOTIFY ARCHITECT IMMEDIATELY OF ANY CONFLICTS. SLEEVES SHALL BE INSTALLED WHERE PIPING PASSES THROUGH STRUCTURE.
- CONTRACTOR SHALL KEEP A RECORD OF THE LOCATIONS OF ALL CONCEALED WORK AND UPON COMPLETION OF THE JOB, SHALL PROVIDE AS-BUILT DRAWINGS SHOWING IN COLORED PENCIL ON BLACK LINES WITH 1/8" DEVIATION FROM THE ORIGINAL DRAWINGS. THESE DRAWINGS SHALL INDICATE DIMENSIONS OF BURIED UTILITY LINES FROM BUILDING WALLS.
- ALL WORK SHALL BE GUARANTEED WITH MATERIAL AND INSTALLATION, FOR A PERIOD OF ONE YEAR FROM ACCEPTANCE BY OWNER.
- PROVIDE WALL CARRIERS FOR ALL WALL HUNG PLUMBING FIXTURES. ALL WALL HUNG PLUMBING FIXTURES SHALL BE CAPABLE OF SUPPORTING A 250 POUND VERTICAL LOAD.
- INSULATE P-TRAP AND SUPPLIES UNDER WALL HUNG HANDICAPPED LAVATORY FOR ADA COMPLIANCE.
- INSULATE SANITARY, WASTE AND VENT PIPING.
- SANITARY, WASTE AND VENT PIPING SHALL BE SCHEDULE 40 PVC (ASTM-2865) WITH APPROVED PVC SOLVENT WELDED FITTINGS. COMPLY WITH SOUTH CAROLINA BUILDING CODE. PVC PIPING SHALL NOT BE RUN IN RETURN AIR DUCTS OR FIRE RATED ASSEMBLIES.
- ALL WASTE PIPING, 2-1/2" AND SMALLER, SHALL BE SLOPED AT 1/4" PER FOOT. LARGER WASTE PIPING SHALL BE SLOPED AT 1/8" PER FOOT.
- ALL VENTS THROUGH ROOF SHALL BE A MINIMUM OF 10'-0" OR AS REQUIRED BY CODE AWAY FROM FRESH AIR INTAKES.
- ALL VENTS THROUGH ROOF SHALL BE PROVIDED WITH FOUR (4) POUND SHEET LEAD FLASHING EXTENDING UPWARD AROUND THE PIPE AND TURNED DOWN INSIDE THE PIPE.
- EXPOSED WASTE DRAINS, IN TOILETS, SHALL BE CHROME PLATED BRASS WITH MATCHING ESCUTCHEONS.
- CLEANOUT SHALL BE PROVIDED AT THE BASE OF EACH WASTE OR SOIL STACK AT 18" A.F.F. MINIMUM, PER LATEST EDITION OF PLUMBING CODE.
- TEST SANITARY, WASTE AND VENT PIPING BY A 10" WATER COLUMN FOR TWENTY-FOUR (24) HOURS OR AS REQUIRED BY THE BUILDING DEPARTMENT.

WATER PIPING

- BELOW GROUND WATER PIPING SHALL BE TYPE "K" COPPER WITH VINYL SLEEVE FOR CORROSION PROTECTION WITH WROUGHT COPPER FITTINGS AND 95-5 SOLDERED JOINTS.
- ABOVE GROUND WATER PIPING SHALL BE TYPE "L" COPPER WITH WROUGHT COPPER FITTINGS AND 95-5 SOLDERED JOINTS.
- THE SITE SUBCONTRACTOR SHALL PROVIDE THE BACKFLOW PREVENTOR AND MAIN WATER METER. SUB-METERS BY PLUMBING CONTRACTOR.
- A SERVICE VALVE SHALL BE PROVIDED ON THE DOMESTIC WATER RISER AT -0" ABOVE FINISHED FLOOR, WHERE WATER ENTERS THE BUILDING.
- PROVIDE EACH FIXTURE WITH STOPS AND SUPPLIES. EXPOSED STOPS AND SUPPLY PIPING SHALL BE CHROME PLATED, WITH A CHROME PLATED ESCUTCHEON PLATE.
- PROVIDE UNIONS FOR ALL CONNECTIONS TO EQUIPMENT. PROVIDE DIELECTRIC TYPE WHERE DISSIMILAR METALS ARE CONNECTED.
- EQUIVALENT WATER HAMMER PROTECTION (EQUAL TO PRECISION PLUMBING PRODUCT "SWA" SERIES) AT EACH FIXTURE OR GROUP OF SIMILAR FIXTURES. FIELD FABRICATED MODELS ARE NOT ACCEPTABLE.
- PROVIDE TRAP PRIMERS FOR ALL FLOOR DRAINS AS REQUIRED BY CODE.
- STERILIZE ALL WATER PIPING IN ACCORDANCE WITH HEALTH DEPARTMENT REGULATIONS AND AMERICAN WATER WORKS SPECIFICATIONS.
- SUPPORT ALL WATER PIPING WITH PIPE HANGERS BY GRINNELL OR APPROVED EQUAL.
- INSULATE ALL HOT AND COLD WATER PIPING WITH 1" THICK, 3-1/2 POUND DENSITY, RIGID FIBERGLASS INSULATION. INSULATE FITTINGS, VALVES AND ALL SIMILAR ITEMS. INSULATE WATER PIPE AND P-TRAP BELOW ALL HANDICAPPED LAVATORIES.



1925 Prospect Ave.
Orlando, FL 32814
P (407) 661-9100
F (407) 661-9101
www.cpe.com

Colucci & Retz
Architects & Planners
Engineers

WindCrest Companies
605 E. Robinson Street, Suite 340
Orlando, Florida 32801

Publix/Retail @ Lake Crossing
South Lake Drive & Platt Springs Road
Levinston, South Carolina

Revision Schedule

No.	Description	Date
A	100% Final Submission	03/07/17
B	100% Public Submission	06/17/17
A	Issued for Bidding	08/10/17

PROJECT NO. 216102

DATE 03-17-17

DESIGNER CDR

CHECKED JS

Job Number: 51207

Colwill Engineering
Consulting Engineers, Inc.
Engineering Business No. CO 2657-PB

3750 Bart Adams Drive Tampa, Florida 33609
Tel: 813-941-0888 Fax: 813-941-0888

© 2017 ALL RIGHTS RESERVED

P200