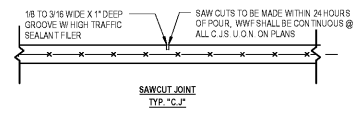
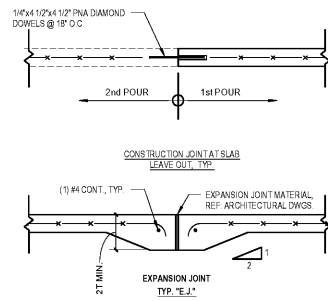


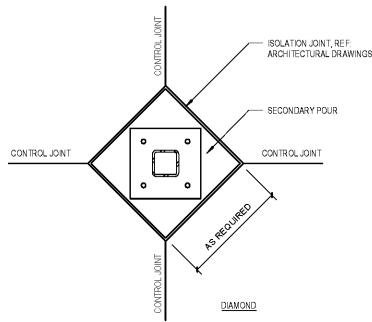
# Order Plans @



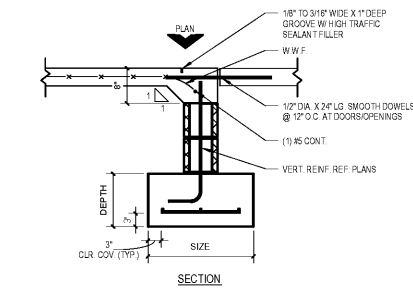
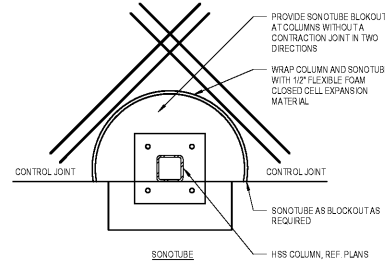
**1 Sawcut Joint**  
SCALE: 3/4" = 1'-0"



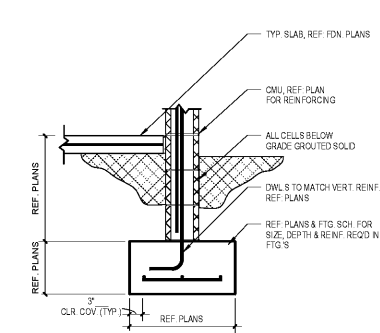
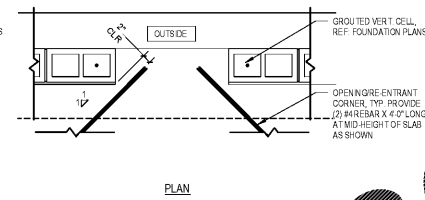
**2 Construction Joint**  
SCALE: 3/4" = 1'-0"



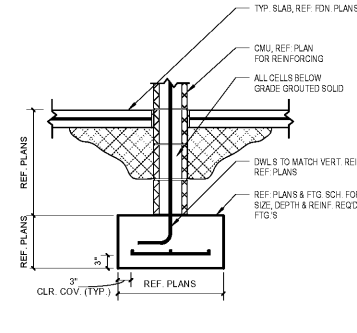
**3 Secondary Isolation Pour**  
SCALE: 3/4" = 1'-0"



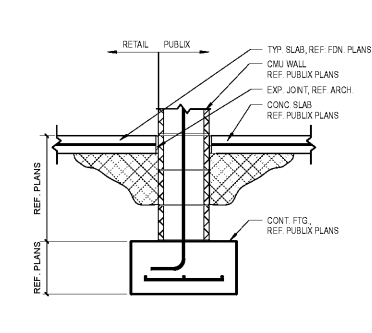
**4 Foundation @ Opening Detail**  
SCALE: 3/4" = 1'-0"



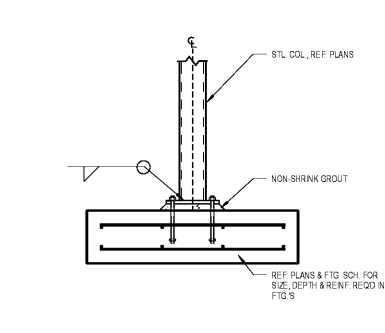
**5 Foundation Detail**  
SCALE: 3/4" = 1'-0"



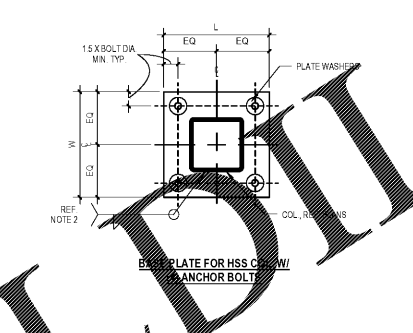
**6 Foundation Detail**  
SCALE: 3/4" = 1'-0"



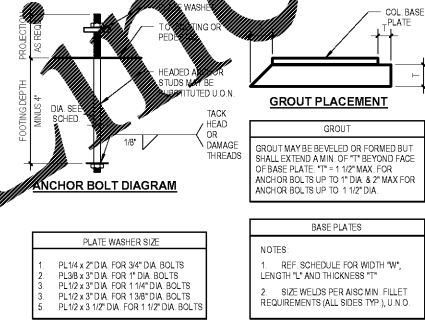
**7 Foundation Detail**  
SCALE: 3/4" = 1'-0"



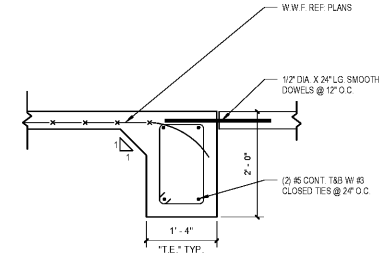
**8 Foundation Detail**  
SCALE: 3/4" = 1'-0"



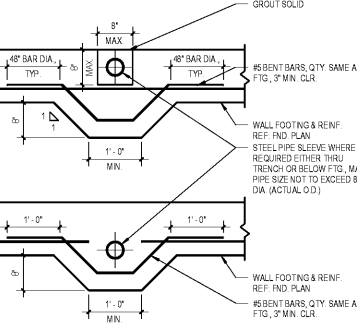
**9 Base Plate Detail w/ Plate Washers**  
SCALE: 1 1/2" = 1'-0"



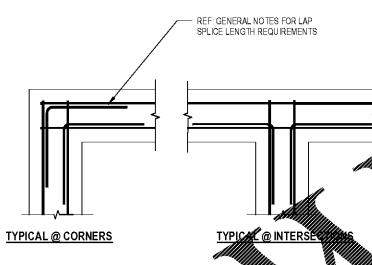
**10 Anchor Rod & Grout Detail**  
SCALE: 1 1/2" = 1'-0"



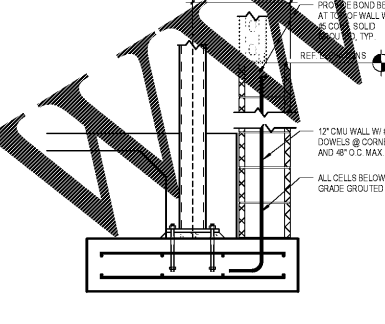
**11 Foundation Detail**  
SCALE: 3/4" = 1'-0"



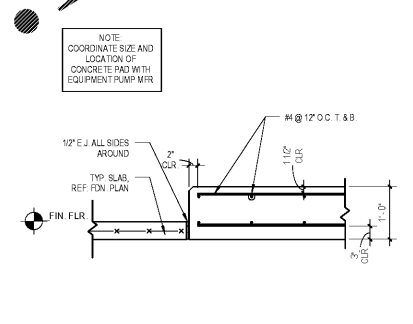
**12 Foundation Detail**  
SCALE: 3/4" = 1'-0"



**13 Continuity Corner, Typ.**  
SCALE: 3/4" = 1'-0"



**14 Foundation Detail**  
SCALE: 3/4" = 1'-0"



**15 Isolation Pad Detail**  
SCALE: 3/4" = 1'-0"

PLATE WASHER SIZE
1. PL 1/4 x 2" DIA. FOR 3/4" DIA. BOLTS
2. PL 3/8 x 3" DIA. FOR 1" DIA. BOLTS
3. PL 1/2 x 3" DIA. FOR 1 1/4" DIA. BOLTS
4. PL 5/8 x 3" DIA. FOR 1 3/8" DIA. BOLTS
5. PL 3/4 x 3 1/2" DIA. FOR 1 1/2" DIA. BOLTS

BASE PLATES
NOTES
1. REF. SCHEDULE FOR WIDTH "W", LENGTH "L" AND THICKNESS "T"
2. SIZE WELDS PER AISC MIN. FILLET REQUIREMENTS (ALL SIDES TYP.) U.O.N.

1925 PROSPECT AVENUE  
Orlando, FL 32814  
P (407) 661-9100  
F (407) 661-9101  
www.r.p.a.com

**Chalaci & Reto**  
Architects Engineers

**WindCrest Companies**  
605 E. Robinson Street, Suite 340  
Orlando, Florida 32801

**Publix/Retail @ Lake Crossing**  
South Lake Drive & Platt Springs Road  
Lexington, South Carolina



Revision Schedule	Date
A 100% Public Submission	03-31-17
C 100% Public Permit	08-15-17

**S501**