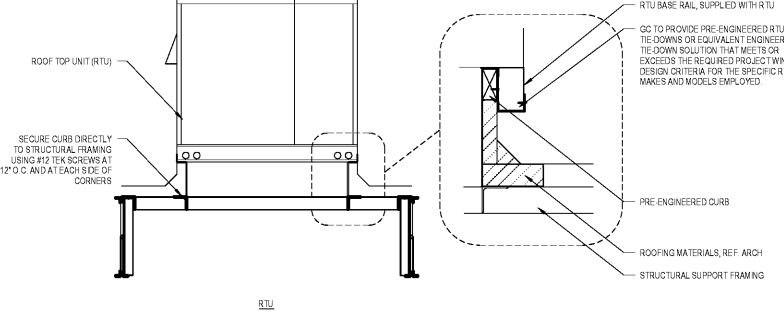
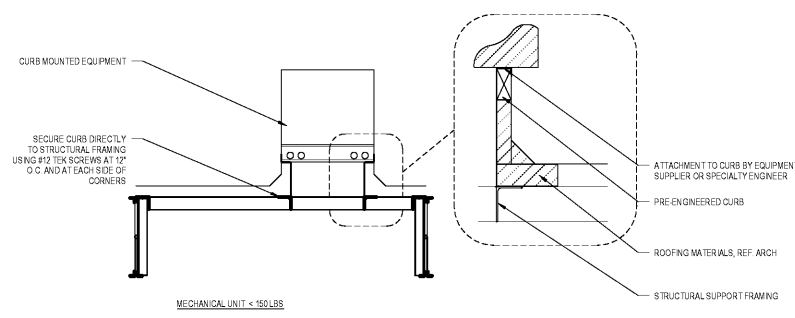


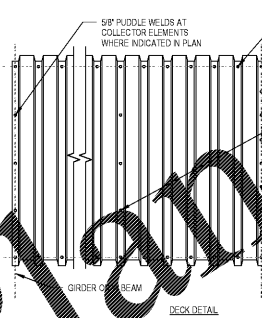
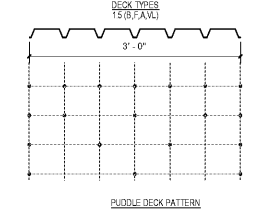
Total Weight	Max. Spacing	Header	Leg A	Leg B
Up to 150 Lbs	6'-0"	N/A	L3X3KX16	L3X3KX16
500 LBS	6'-0"	N/A	L3X3KX14	L3X3KX14
1000 LBS	6'-0"	L4X4KX14X12'-0"	L3 1/2X3 1/2X14	L3 1/2X3 1/2X14
1500 LBS	6'-0"	L4X4KX14X12'-0"	L4X4KX14	L4X4KX14
2000 LBS	6'-0"	L4X4KX14X12'-0"	Section B-B	L5X3KX14 L2V

1. ALL STRUCTURAL CHORDS, HEADERS, AND FRAMING TO SUPPORT STEEL BEFORE CURBS ARE PLACED. ALL TALL STRUTS SHALL BE PLACED ON TOP OF DECK.
2. ALL JOIST SPACING OF RTU SHALL BE AT LEAST 3 INCHES OF JOIST PANEL POINTS, WHERE PERMITTED BY THE MANUFACTURER'S DESIGN CRITERIA.
3. GENERAL CONTRACTOR SHALL VERIFY RTU DIMENSIONS AND FRAMING LOCATIONS.
4. TOTAL WEIGHT OF EQUIPMENT SHALL NOT EXCEED WEIGHT OF CURB.
5. ALL EQUIPMENT SHALL BE PRE-ENGINEERED CURBS.

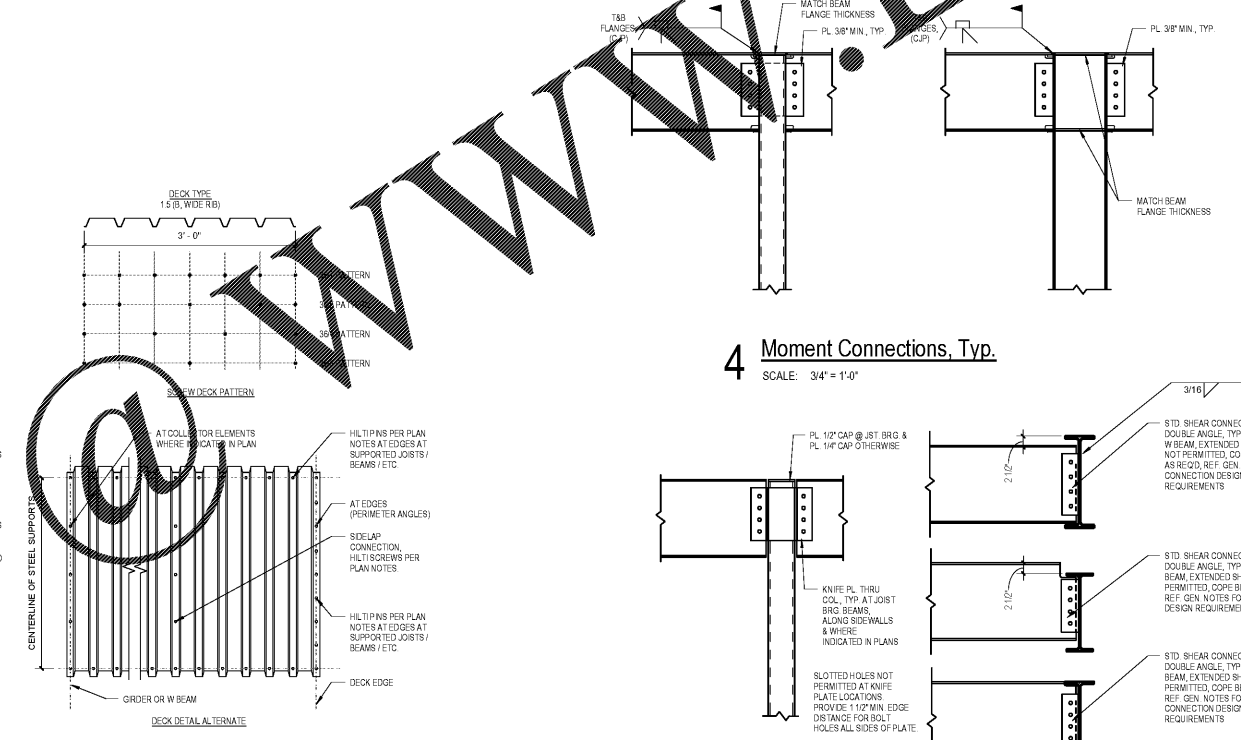
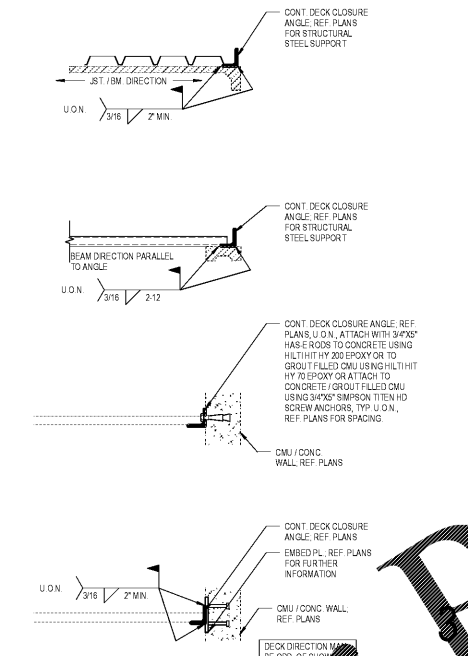


**1 General Mechanical Equipment**  
SCALE: 3/4" = 1'-0"

MINIMUM DECK PROPERTIES	15B
NOMINAL DEPTH: 1 1/2"	
TYPE B (WIDE RIB) PAINTED METAL DECK	
F <sub>y</sub> 33 ksi	
22 GAUGE: I=0.169 IN <sup>4</sup> /FT SP=0.186 N3/FT SN=0.192 N3/FT	
20 GAUGE: I=0.212 IN <sup>4</sup> /FT SP=0.234 N3/FT SN=0.247 N3/FT	
18 GAUGE: I=0.262 IN <sup>4</sup> /FT SP=0.318 N3/FT SN=0.327 N3/FT	

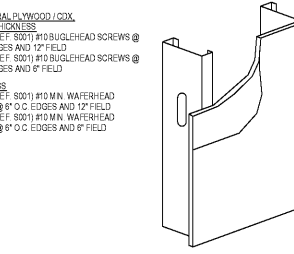


**General Mtl. Deck & Closure Angle Info.**  
SCALE: 1" = 1'-0"



**4 Moment Connections, Typ.**  
SCALE: 3/4" = 1'-0"

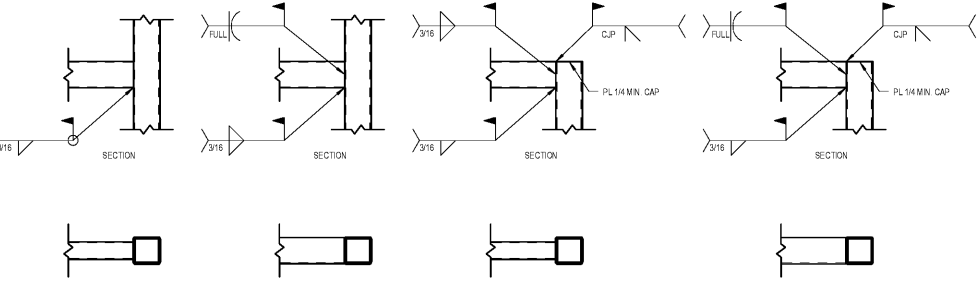
**5 Shear Connections, Typ.**  
SCALE: 3/4" = 1'-0"



**7 Sheathing Fastener Requirements**  
SCALE: 3/4" = 1'-0"

**2 General Mtl. Deck & Closure Angle Info.**  
SCALE: 1" = 1'-0"

**6 HSS to HSS Weld Connections, Typ.**  
SCALE: 3/4" = 1'-0"



Order Plans

WWW.LDLINE.COM

1925 PROSPECT AVE  
Orlando, FL 32814  
P (407) 661-9100  
F (407) 661-9101  
www.ldline.com  
Cubaci & Reto  
Architects Engineers

CLIENT NAME  
**WindCrest Companies**  
605 E. Robinson Street, Suite 340  
Orlando, Florida 32801

PROJECT NAME  
**Publix/Retail @ Lake Crossing**  
South Lake Drive & Platt Springs Road  
Lexington, South Carolina

SHEET TITLE  
**General Information**



Revision	Description	Date
A	100% Public Submission	03-31-17
B	100% Public Submission	08-10-17
C	100% Public Submission	08-10-17

S005