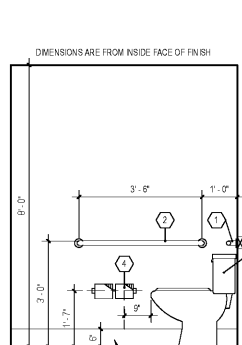
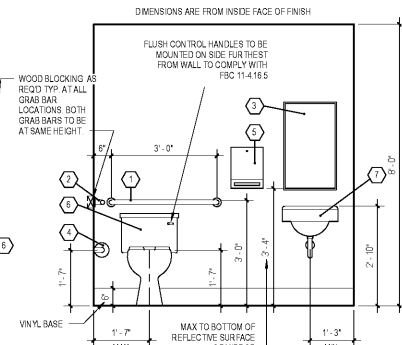


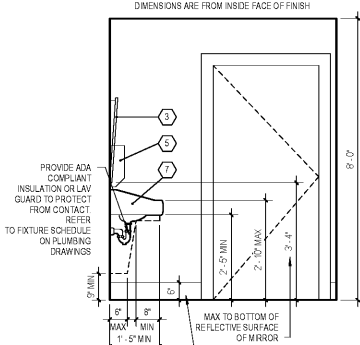
1 Typical Toilet Layout
SCALE: 1/2" = 1'-0"



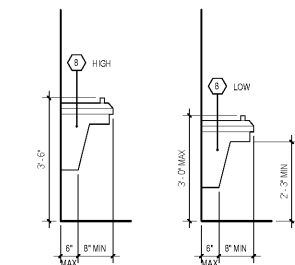
2 Interior Elevation
SCALE: 1/2" = 1'-0"



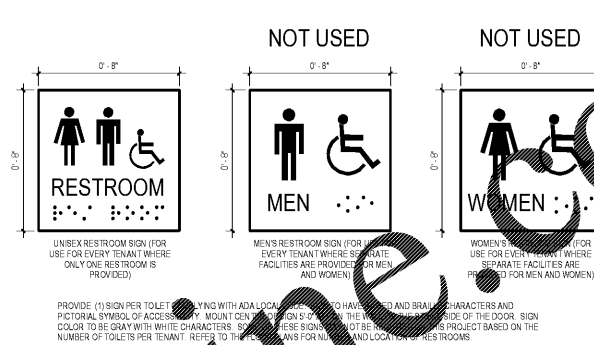
3 Interior Elevation
SCALE: 1/2" = 1'-0"



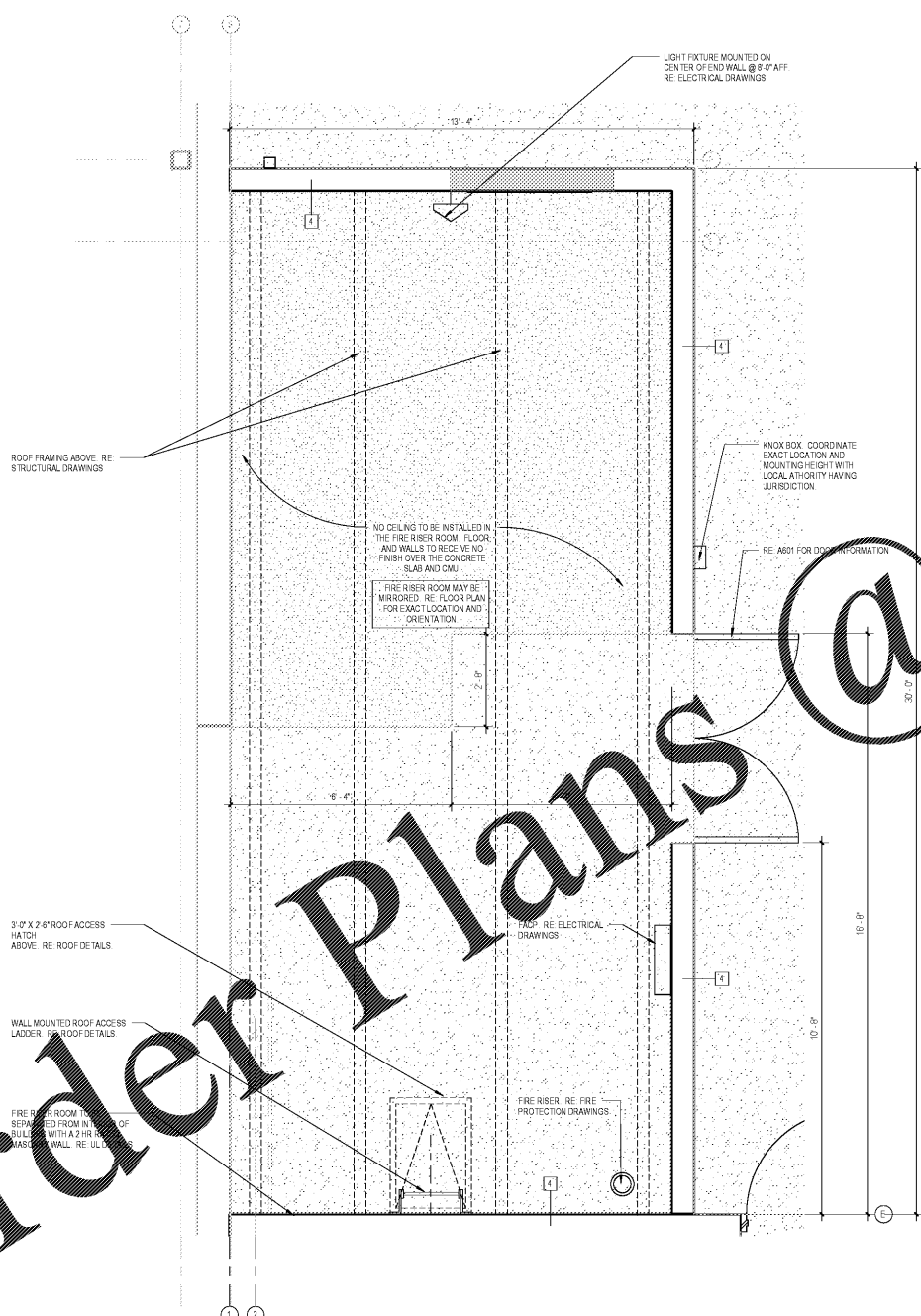
4 Interior Elevation
SCALE: 1/2" = 1'-0"



5 Drinking Fountains
SCALE: 1/2" = 1'-0"



6 Accessible Signage
SCALE: 1/2" = 1'-0"



7 Fire Rise/Fire Pump Room Floor Plan
SCALE: 1/2" = 1'-0"

RESTROOM GENERAL NOTES

- ALL ACCESSORIES ARE TO BE MOUNTED IN ACCORDANCE WITH THE ACCESSIBILITY CRITERIA OF AMERICAN WITH DISABILITIES ACT AS WELL AS WITH ANY APPLICABLE STATE AND LOCAL ACCESSIBILITY CODES.
- UNLESS OTHERWISE NOTED, THE FINISH SCHEDULE FOR ALL RESTROOMS SHALL BE AS FOLLOWS: FLOORING - VCT; WALLS - 6" VINYL WALLS - ENAMEL; CEILING - 6" ENAMEL; WATER PROOF - TYPE CRYSTAL BOARD; CEILING - ACoustical TILE.
- INSTALL SUPPORT BLOCKING IN WALLS WHERE NECESSARY FOR TOILET ACCESSORIES, INCLUDING GRAB BARS. REFER TO MANUFACTURING INSTALLATION INSTRUCTIONS.
- PROVIDE INSULATION ON DRAINS AND HOT WATER LINES AT HANDICAP LEVEL.
- UNLESS OTHERWISE NOTED, ALL RESTROOM ACCESSORIES TO BE AT 8'-0" ABOVE FINISHED FLOOR.
- REFER TO A601 FOR ALL WALL TYPE INFORMATION.

TOILET ACCESSORY SCHEDULE

NO.	DESCRIPTION	BOBRICK MODEL	BRADLEY MODEL	ASI MODEL	REMARKS
1	36" GRAB BAR	6806	8120-001360	3800-36	STAINLESS STEEL, SATIN FINISH
2	42" GRAB BAR	6806	8120-001420	3800-42	1 1/4" - 1 1/2" DIA. TIE, PROVIDE 1 1/4" SPACE BETWEEN BAR & WALL
3	MIRROR UNIT	8-294	782	06007A	16" X 30" TILT MIRROR W/ STAINLESS STEEL FRM
4	TOILET TISSUE DISPENSER	8-288	5402	0030	STAINLESS STEEL, MULTI-ROLL SURFACE MOUNTED
5	PAPER TOWEL DISPENSER	8-262	250-150000	0210	STAINLESS STEEL SURFACE MOUNTED
6	WATER CLOSET				RE: ELEVATIONS ABOVE FOR FIXTURE MOUNTING HEIGHTS
7	LAVATORY				RE: PLUMBING DRAWINGS FOR FIXTURE TYPE
8	HIGH/LOW DRINKING FOUNTAIN				

RESTROOM SPECIFICATIONS

PART 1 - SUMMARY

- 1.1 SUMMARY
- THIS SECTION INCLUDES THE FOLLOWING:
 - TOILET AND BATH ACCESSORIES
 - UNDERLAVATORY GUARDS
- 1.2 QUALITY ASSURANCE
 - INSTALLERS AND ANCHORAGE: FURNISH INSERTS AND ANCHORING DEVICES AND COORDINATE DELIVERY WITH OTHER WORK TO AVOID DELAY.
 - PROVIDE PRODUCTS OF THE SAME MANUFACTURER FOR EACH TYPE OF ACCESSORY UNIT AND FOR UNITS EXPOSED IN THE SAME AREA.
 - SPECIAL WARRANTY: MANUFACTURER'S STANDARD FORM IN WHICH MANUFACTURER AGREES TO REPAIR OR REPLACE MIRRORS THAT DEVELOP VISIBLE SILVER SPALLAGE DEFECTS WITHIN 15 YEARS FROM DATE OF SUBSTANTIAL COMPLETION.

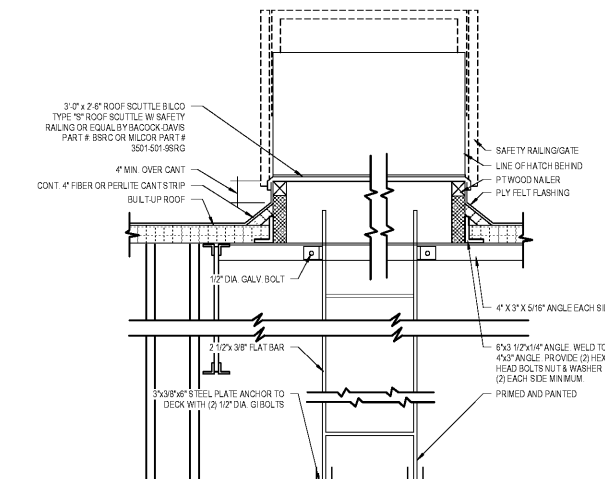
PART 2 - PRODUCTS

- 2.1 MANUFACTURERS: SUBJECT TO COMPLIANCE WITH REQUIREMENTS, PROVIDE PRODUCTS BY ONE OF THE FOLLOWING:
 - TOILET AND BATH ACCESSORIES
 - AMERICAN SPECIALTIES, INC.
 - BOBRICK WASH-ROOM EQUIPMENT, INC.
 - BRADLEY CORPORATION
 - UNDERLAVATORY GUARDS
 - TRUESD, INC.
 - PLUMBEREX SPECIALTY PRODUCTS, INC.
- 2.2 SCHEDULE OF TOILET ACCESSORIES

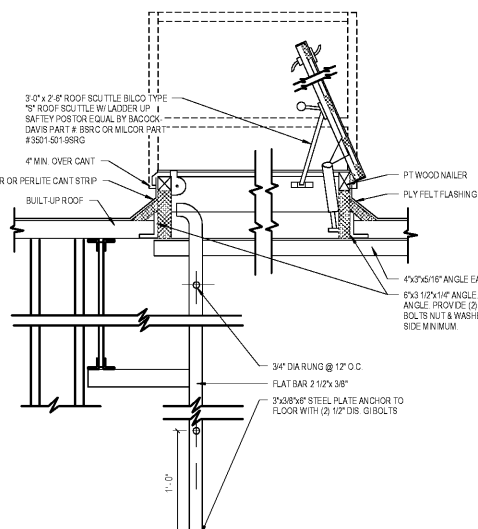
REFER TO SCHEDULE ON THIS SHEET FOR LIST OF TOILET ACCESSORIES. CONTRACTOR TO COMPLY WITH MANUFACTURER'S RECOMMENDATIONS FOR ANCHORAGE OF ACCESSORIES TO SUBSTRATE.

PART 3 - EXECUTION

- 3.1 INSTALLATION
 - INSTALL ACCESSORIES USING FASTENERS APPROPRIATE TO SUBSTRATE INDICATED AND RECOMMENDED BY UNIT MANUFACTURER. INSTALL UNITS LEVEL, PLUMB, AND FIRMLY ANCHORED IN LOCATIONS AND AT HEIGHTS INDICATED. PROVIDE BLOCKING WHERE REQUIRED TO MEET FORCE REQUIREMENTS INDICATED BELOW. ENSURE BLOCKING IS FIRE RETARDANT IN WALLS THAT ARE RATED OR ARE OTHERWISE REQUIRED TO BE NON-COMBUSTIBLE.
 - INSTALL GRAB BARS TO WITHSTAND A DOWNWARD LOAD OF AT LEAST 250 LBF, WHEN TESTED ACCORDING TO METHOD IN ASTM F 448.
 - INSTALL UNDER-SINK PROTECTION AROUND TRAP AND ANGLE VALVE ASSEMBLIES. SECURE COVERS WITH MANUFACTURER'S STANDARD FASTENERS.
 - ADJUST ACCESSORIES FOR UNOBSTRUCTED, SMOOTH OPERATION AND VERIFY THAT MECHANISMS FUNCTION PROPERLY. REPLACE DAMAGED OR DEFECTIVE ITEMS. REMOVE TEMPORARY LABELS AND PROTECTIVE COATINGS.



8 Roof Hatch & Ladder Detail
SCALE: 1 1/2" = 1'-0"



9 Roof Hatch & Ladder Detail
SCALE: 1 1/2" = 1'-0"

Order Plans @

1925 Prospect Ave.
Orlando, FL 32814
P (407) 661-9100
F (407) 661-9101
www.r.p.a.com

Publix Super Markets, Inc.
3300 Public Corporate Pkwy
Lakeland, Florida

Publix/Retail @ Lake Crossing
South Lake Drive & Platt Springs Road
Lexington, South Carolina

Enlarged Plans & Interior Elevations

A411