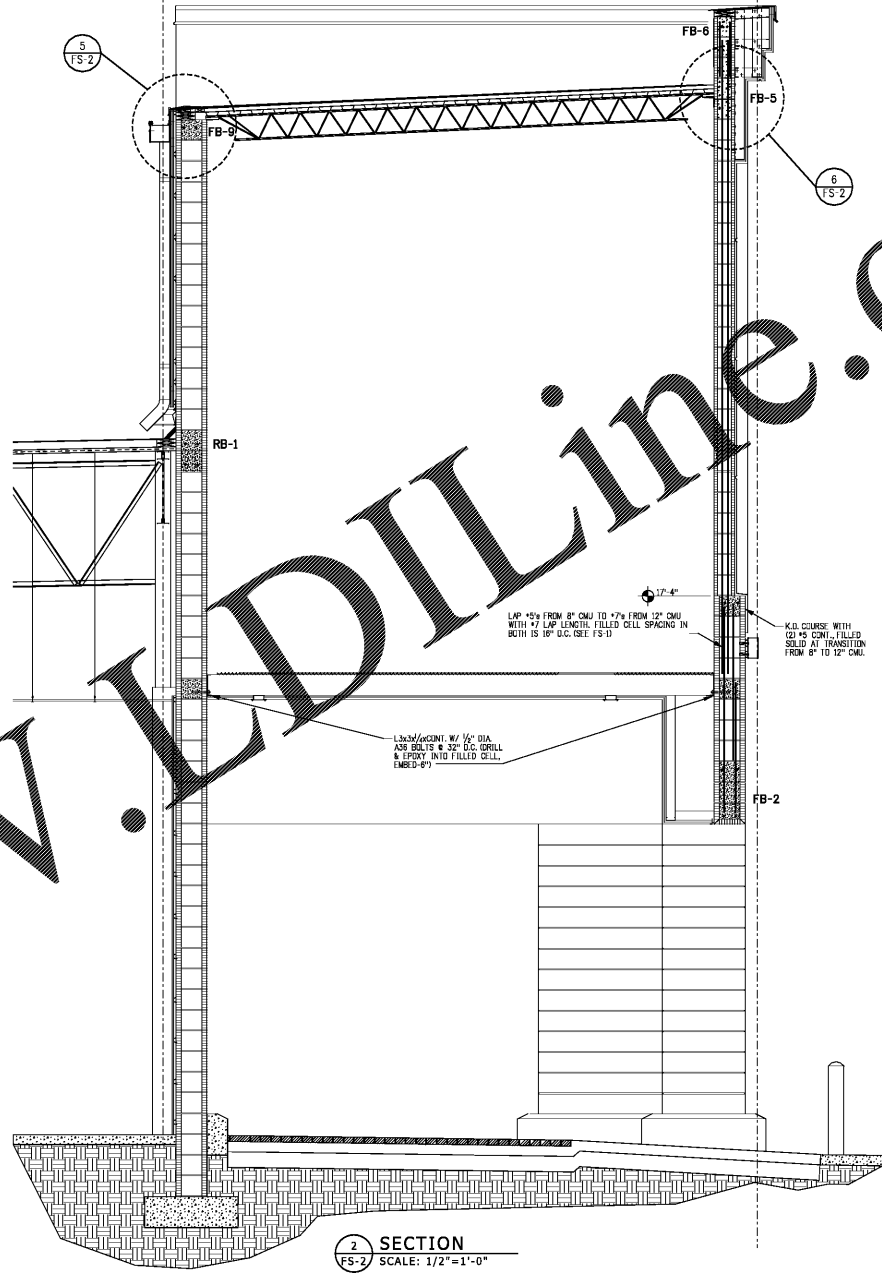
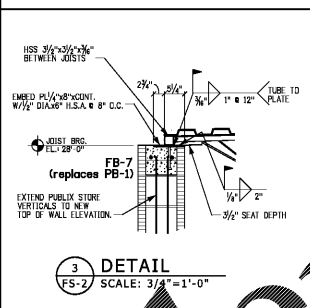


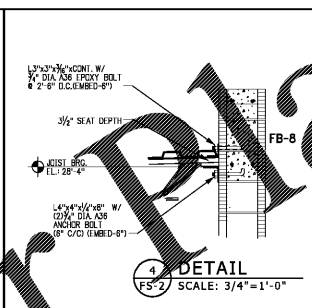
1 SECTION
FS-2 SCALE: 1/2"=1'-0"



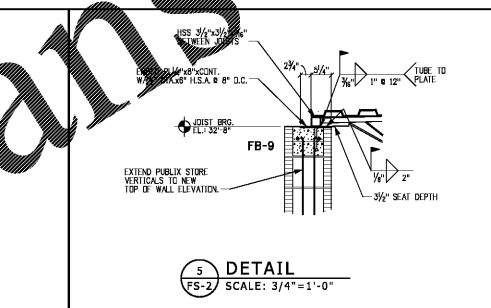
2 SECTION
FS-2 SCALE: 1/2"=1'-0"



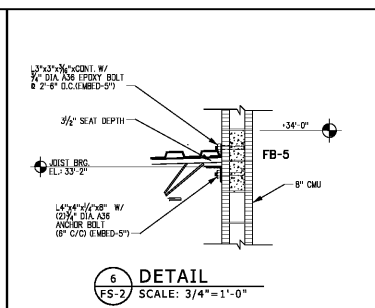
3 DETAIL
FS-2 SCALE: 3/4"=1'-0"



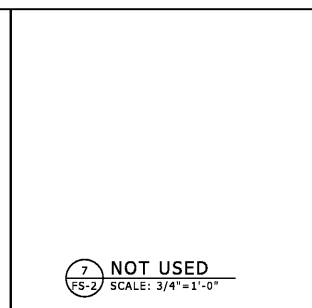
4 DETAIL
FS-2 SCALE: 3/4"=1'-0"



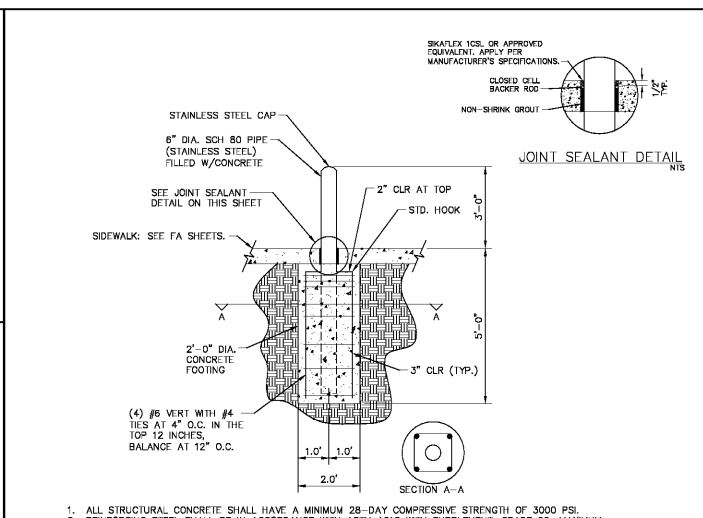
5 DETAIL
FS-2 SCALE: 3/4"=1'-0"



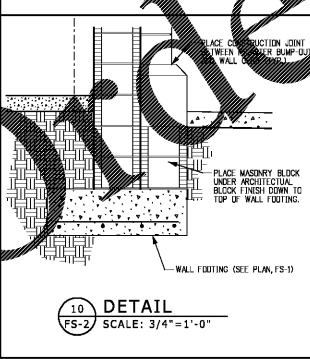
6 DETAIL
FS-2 SCALE: 3/4"=1'-0"



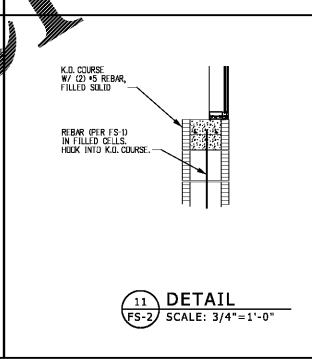
7 NOT USED
FS-2 SCALE: 3/4"=1'-0"



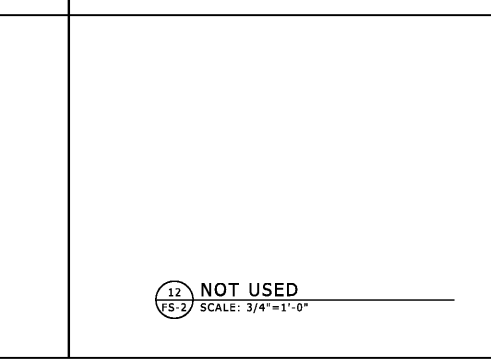
9 FRONT BOLLARD
FS-2 SCALE: 1/2"=1'-0"



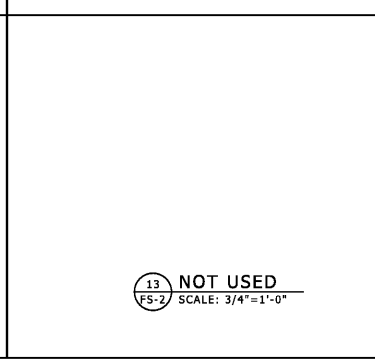
10 DETAIL
FS-2 SCALE: 3/4"=1'-0"



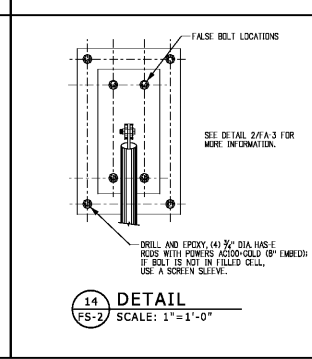
11 DETAIL
FS-2 SCALE: 3/4"=1'-0"



12 NOT USED
FS-2 SCALE: 3/4"=1'-0"



13 NOT USED
FS-2 SCALE: 3/4"=1'-0"



14 DETAIL
FS-2 SCALE: 1"=1'-0"

1. ALL STRUCTURAL CONCRETE SHALL HAVE A MINIMUM 28-DAY COMPRESSIVE STRENGTH OF 3000 PSI.
2. REINFORCING STEEL SHALL BE IN ACCORDANCE WITH ASTM A615 WITH SUPPLEMENT, GRADE 60; MAXIMUM WORKING STRESS OF 24,000 PSI.

DATE:	25 AUG 2017
REVISION DATA:	

1637
PUBLIX @ LAKE CROSSING
PLATT SPRINGS RD & HWY 6
LEXINGTON, LEXINGTON, SC

45.92
08/17/2017
SIENNA - LITE

FACADE STRUCTURAL SECTIONS

SCALE: AS NOTED

FS-2

Order Plans

www.LDILine.com