

CORPORATE OFFICES, FACILITIES DESIGN  
404 457 LAKELAND, FL 32922  
888.488.2274  
PHYSICAL ADDRESS: 2300 PARKWAY CORCORAN PARKWAY  
LAKELAND, FL 32811-2111

**PUBLIC FACILITIES  
DESIGN DEPARTMENT**

DAVID  
ARCHITECT IN CHARGE  
FL REG. 12117  
AL REG. 12117  
NC REG. 12117  
VA REG. 12117

JOHN J. CARMALIS, PE  
MECHANICAL  
FL REG. 30221  
AL REG. 30221  
NC REG. 30221  
VA REG. 30221

PAUL C. HARMAN, PE  
STRUCTURAL  
FL REG. 37740  
AL REG. 37740  
NC REG. 37740  
VA REG. 37740

JOHN J. CARMALIS, PE  
MECHANICAL  
FL REG. 30221  
AL REG. 30221  
NC REG. 30221  
VA REG. 30221

ANTHONY CLEMENTI, PE  
MECHANICAL  
FL REG. 30221  
AL REG. 30221  
NC REG. 30221  
VA REG. 30221

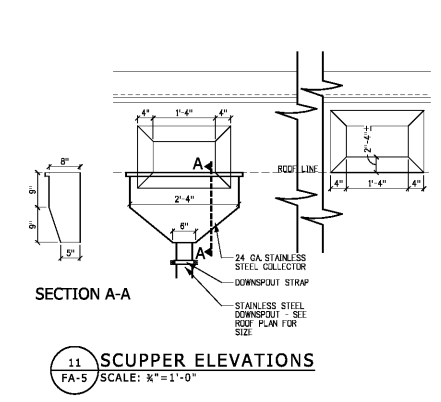
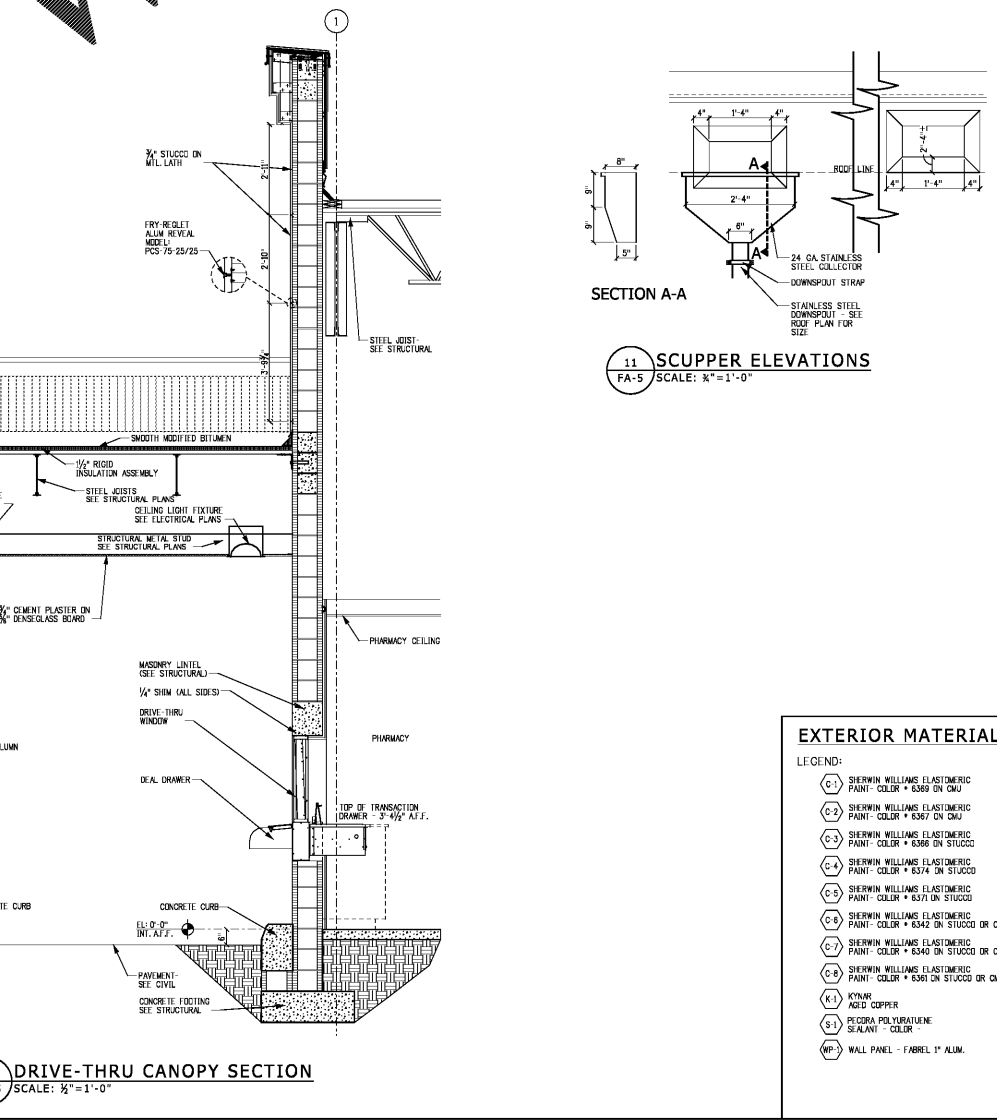
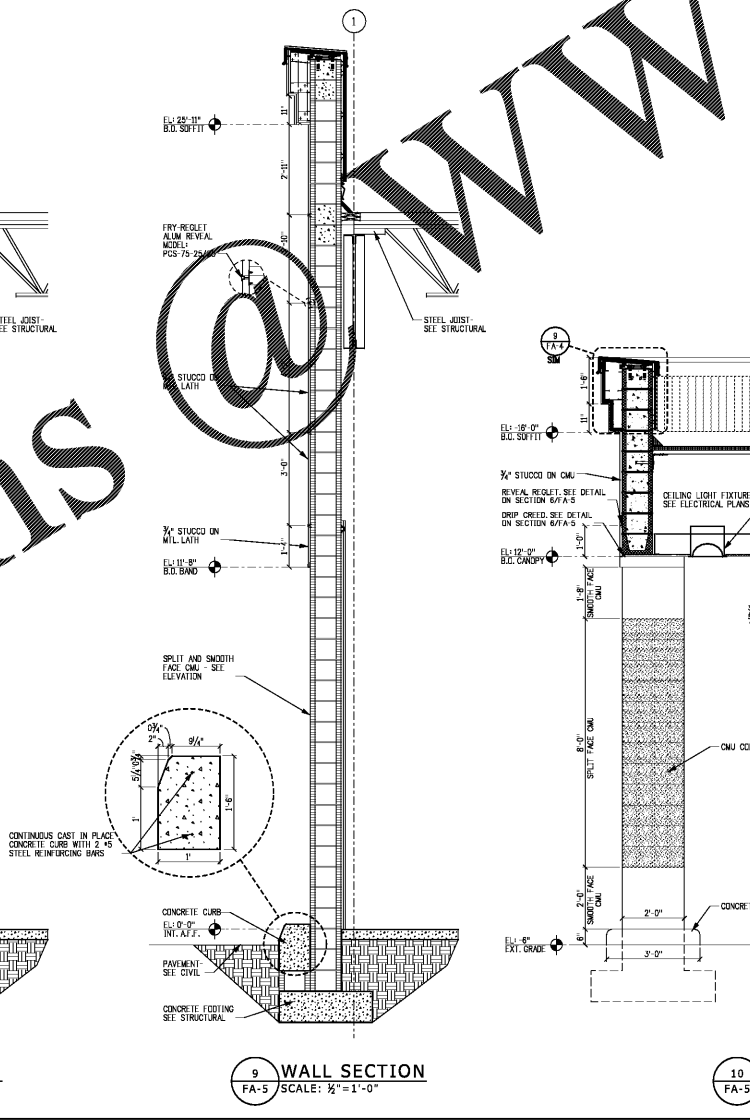
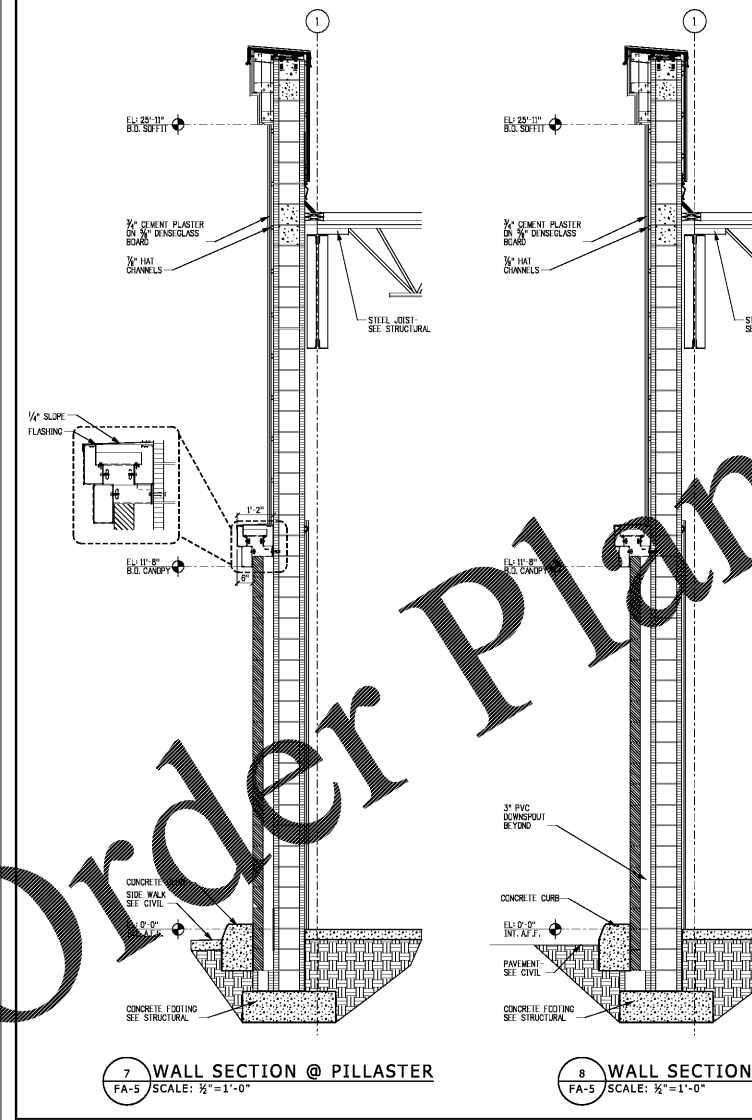
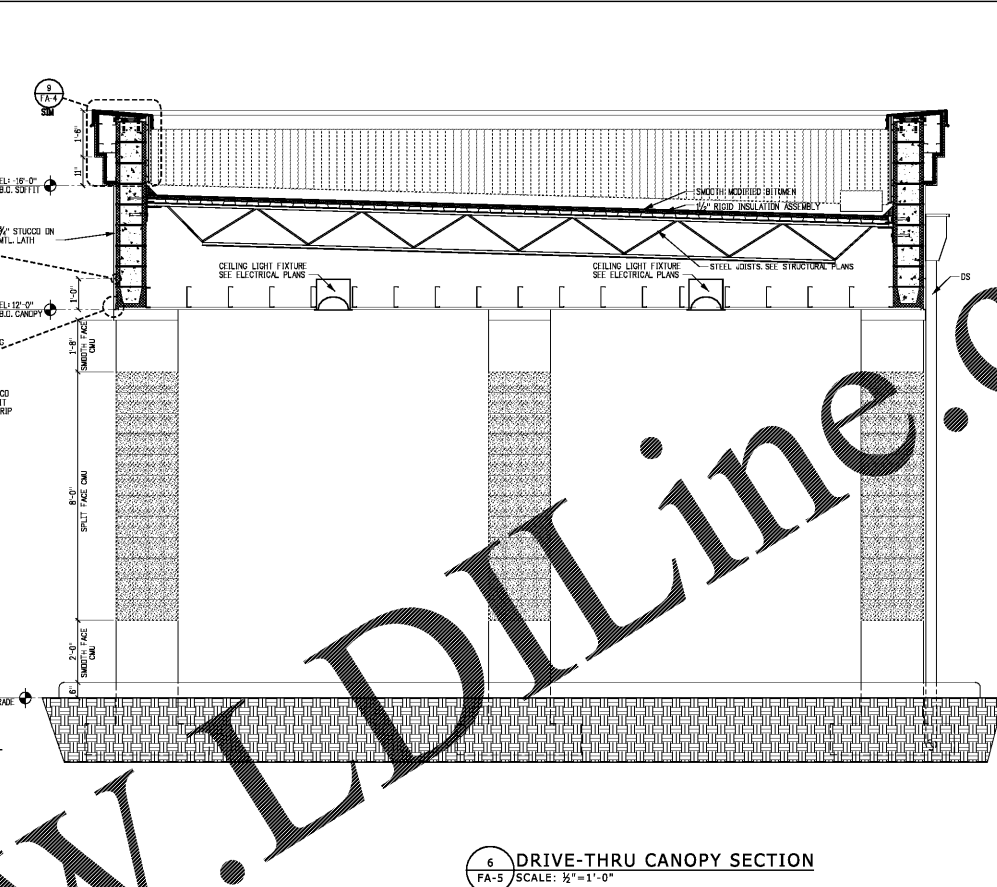
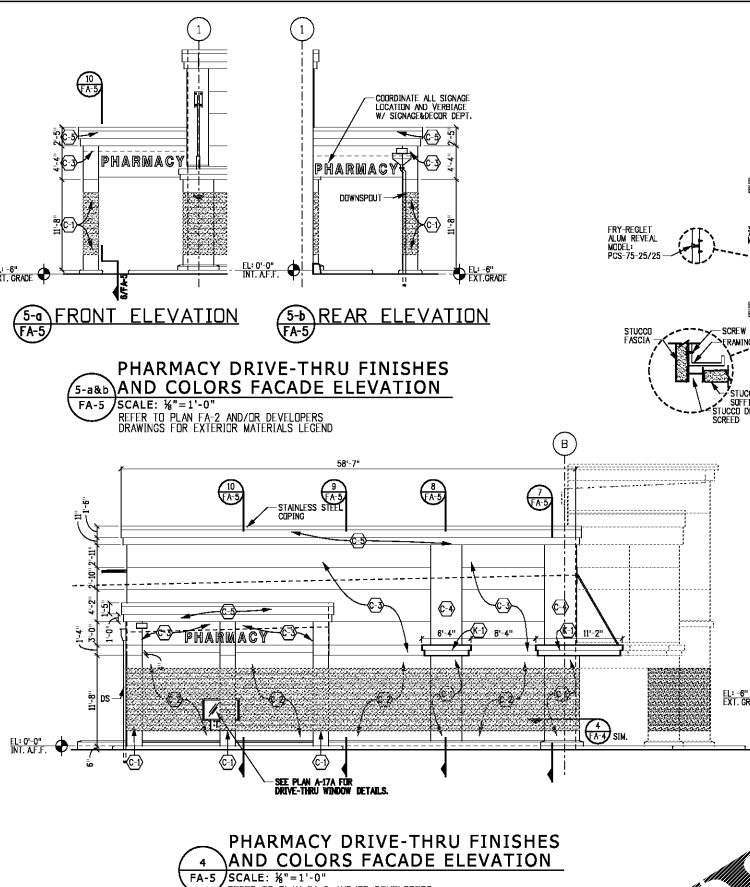
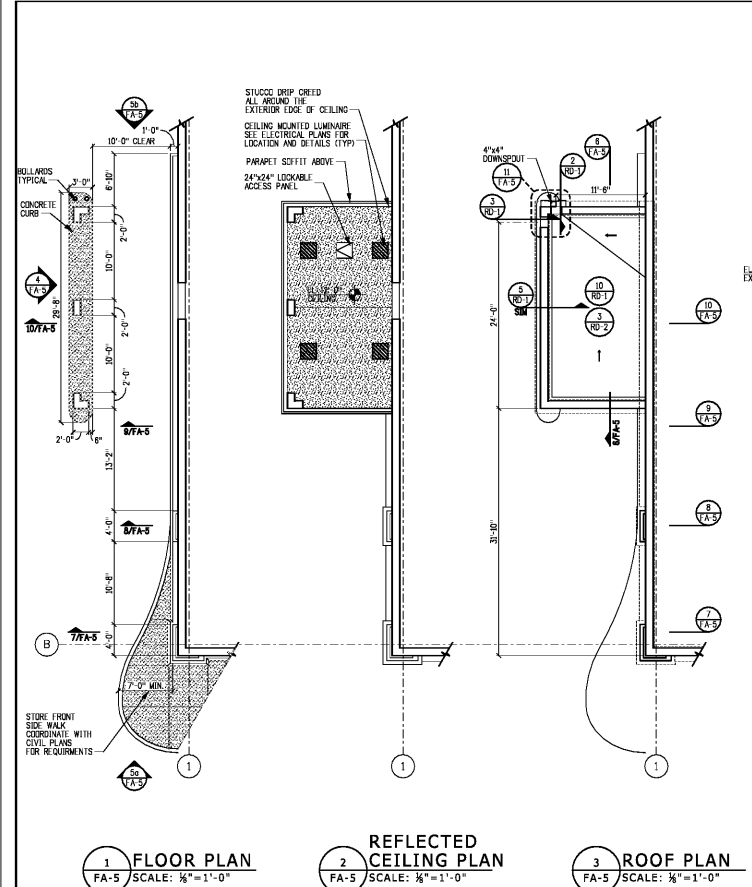
RAYMOND J. SIRIANNI, PE  
ELECTRICAL  
FL REG. 84820  
AL REG. 84820  
NC REG. 84820  
VA REG. 84820

NORMAN MEIER, PE  
ELECTRICAL  
FL REG. 84820  
AL REG. 84820  
NC REG. 84820  
VA REG. 84820

© COPYRIGHT 2017  
THEY ARE NOT TO BE REPRODUCED

THESE CONSTRUCTION DOCUMENTS ARE THE PROPERTY OF PUBLIX SUPERMARKETS, INC. AND ARE NOT TO BE REPRODUCED OR TRANSMITTED IN ANY FORM OR BY ANY MEANS, ELECTRONIC OR MECHANICAL, INCLUDING PHOTOCOPYING, RECORDING, OR BY ANY INFORMATION STORAGE AND RETRIEVAL SYSTEM, WITHOUT THE WRITTEN PERMISSION OF PUBLIX SUPERMARKETS, INC. THE USER AGREES TO HOLD PUBLIX SUPERMARKETS, INC. HARMLESS FROM ANY AND ALL LIABILITY ARISING FROM THE USE OF THESE CONSTRUCTION DOCUMENTS.

THE USER AGREES TO HOLD PUBLIX SUPERMARKETS, INC. HARMLESS FROM ANY AND ALL LIABILITY ARISING FROM THE USE OF THESE CONSTRUCTION DOCUMENTS.



**EXTERIOR MATERIALS**

- LEGEND:
- (C1) SHERWIN WILLIAMS ELASTOMERIC PAINT - COLOR # 6369 ON CMU
  - (C2) SHERWIN WILLIAMS ELASTOMERIC PAINT - COLOR # 6367 ON CMU
  - (C3) SHERWIN WILLIAMS ELASTOMERIC PAINT - COLOR # 6366 ON STUCCO
  - (C4) SHERWIN WILLIAMS ELASTOMERIC PAINT - COLOR # 6374 ON STUCCO
  - (C5) SHERWIN WILLIAMS ELASTOMERIC PAINT - COLOR # 6371 ON STUCCO
  - (C6) SHERWIN WILLIAMS ELASTOMERIC PAINT - COLOR # 6342 ON STUCCO OR CMU
  - (C7) SHERWIN WILLIAMS ELASTOMERIC PAINT - COLOR # 6340 ON STUCCO OR CMU
  - (C8) SHERWIN WILLIAMS ELASTOMERIC PAINT - COLOR # 6361 ON STUCCO OR CMU
  - (K1) KYNAR AGZ COPPER
  - (S1) SICOBA POLYURETHANE SEALANT - COLOR
  - (WP) WALL PANEL - FIBREX 1" ALUM.

PLOT DATE:  
25 AUG 2017

REVISION DATA:


1637  
PUBLIX @ LAKE CROSSING  
PLATT SPRINGS RD & HWY 6  
LEXINGTON, LEWIS, SC

**45.9.2**  
08/21/2017  
SIENNA-LITE

FACADE  
PHARMACY  
DRIVE-THRU  
PLANS, ELEVATIONS,  
SECTIONS AND DETAILS

SCALE: AS NOTED

Order Plans

WWW.LDLine.com