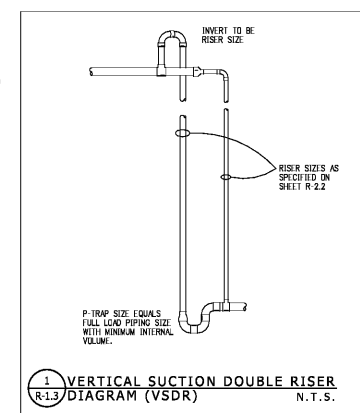


CONTRACTOR NOTES:
1. REFRIGERATION CONTRACTOR SHALL SET AND START ALL SELF-CONTAINED EQUIPMENT, INCLUDING ICE MACHINES, REFRIGERATORS, FREEZERS, AND WALK-IN COOLERS. INSTALL PROBES IN COOLERS AND FREEZERS. PROBES ARE FURNISHED BY PUBlix.
2. WALK-IN COOLERS AND FREEZERS ARE FURNISHED BY PUBlix AND INSTALLED BY THE MANUFACTURER. REFRIGERATION CONTRACTOR SHALL INSTALL AND PPE ALL EVAPORATOR COILS AND HAND VALVES IN COOLERS AND FREEZERS.
3. ALL OVERHEAD REFRIGERATION PIPING ABOVE THE SALES AREA, THE REFRIGERATION INSTALLATION CONTRACTOR SHALL PROVIDE AND INSTALL A DRAIN PAN AS PER TYPICAL DETAIL #5.
4. REFRIGERATION CONTRACTOR SHALL SET REFRIGERANT VALVES TO MAINTAIN 145°F AT HEAT RECLAIM TANKS. COILS AT 142°F CUT OUT AT 145°F. SET AUXILIARY ELEMENTS IN HEAT RECLAIM TANKS TO 150°F. HILL PHOENIX SHALL SET ELEMENT IN FILL WATER HEATER TO 100°F.
5. REFRIGERATION CONTRACTOR SHALL MOUNT MANUFACTURER SUPPLIED QA SENSOR UNDERNEATH REFRIGERATION CONDENSER TO AVOID DIRECT CONTACT WITH SOLIDICE. QA SENSOR AND WIRING PROVIDED BY MECHANICAL CENTER MANUFACTURER.
6. REFRIGERATION CONTRACTOR TO COORDINATE REFRIGERATION PIPING WITH DUCTWORK INSTALLER. REFRIGERATION CONTRACTOR AND PLUMBING CONTRACTOR SHALL ALSO COORDINATE REFRIGERATION DROPS AND VENT PIPES TO RUN SCHEDULED LOGS/TILES.

PIPING NOTES
1. ALL OVERHEAD REFRIGERATION PIPING AT BACKROOM NEEDS TO STAY A MINIMUM 3/4" OUT OF THE BACK WALL OF THE SALES FLOOR AREA (WHICH IS THE WALL BEHIND THE MEAT LINE/UPS).
2. UTILIZE THE STACKING OF REFRIGERATION LINES WHERE SPACE IS LIMITED.
3. OVERHEAD REFRIGERATION PIPING TO BE HELD TIGHT TO THE BOTTOM OF THE JOISTS.

AREAS OF HORIZONTAL RUNS BY TRADES
ELECTRICAL: TOP OF STEEL ORDER AND JUST TO 30" BELOW TOP OF STEEL WHERE EXPOSED IN PROTOTYPE, IMMEDIATELY BELOW TOP OF JOIST MEMBER AND PASSING BETWEEN STEEL JOIST MEMBER. THE INSTALLATION SHALL BE IN COMPLIANCE WITH NEC 300.40(B).
REFRIGERATION: 32" IN. TO 36" IN. BELOW ROOF DECK WHERE EXPOSED IN PROTOTYPE, IMMEDIATELY BELOW BOTTOM CHORD OF STEEL JOIST MEMBERS AND JOISTS.
FIRE SPRINKLER: 8" IN. ABOVE CEILING WHERE EXPOSED IN PROTOTYPE; 8" IN. ABOVE BOTTOM CHORD OF STEEL ORDER JOISTS AND JOISTS.
AIR CONDITIONING: 36" IN. BELOW ROOF DECK TO 9" IN. ABOVE CEILING WHERE EXPOSED IN PROTOTYPE; HANG AS CLOSE UNDER BOTTOM CHORD OF STEEL JOIST MEMBERS AND JOISTS AS POSSIBLE WHILE LEAVING ROOM FOR REFRIGERATION LINES.
IF DEVIATION FROM THESE AREAS IS INDICATED, SUCH DEVIATION MUST BE APPROVED UPON BY JOB SUPERINTENDENT AND PUBlix REPRESENTATIVE.

LEGEND
- - - - - REFRIGERATION LOOP 1B PIPING
- - - - - REFRIGERATION LOOP 2B PIPING
- - - - - REFRIGERATION LOOP 3B PIPING
□ FALSE COLUMN



PLOT DATE:
25 AUG 2017

REVISION DATA:

1637
PUBlix @ LAKE CROSSING
PLATT SPRINGS RD & HWY 6
LEXINGTON, LEXINGTON, SC

45.92
08/17/2017
SIENNA - LITE

REFRIGERATION PIPING PLAN - DX LOOP (MEDIUM TEMP)

SCALE: 1/8" = 1'-0"

R-1.3

Order Plans @ WWW.Downloadline.com