

PLOT DATE:
25 AUG 2017

REVISION DATA:

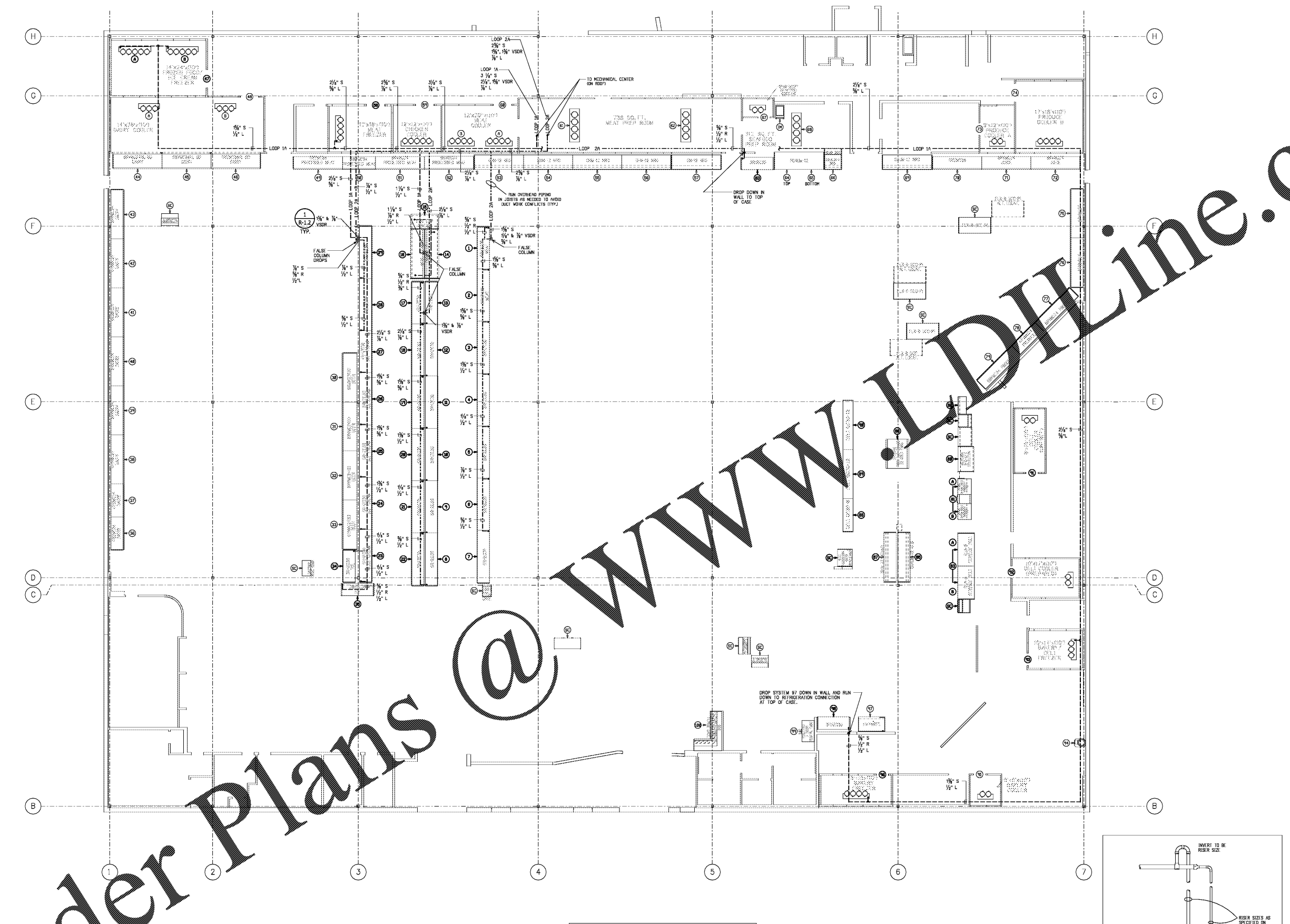
1637
PUBLIX @ LAKE CROSSING
PLATT SPRINGS RD & HWY 6
LEXINGTON, LEXINGTON, SC

45.92
08/2017
SIENNA - LITE

REFRIGERATION
PIPING PLAN -
DX LOOP
(LOW TEMP)

SCALE: 1/8" = 1'-0"

R-1.2

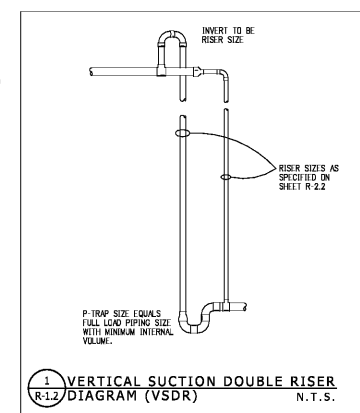


CONTRACTOR NOTES:
1. REFRIGERATION CONTRACTOR SHALL SET AND START ALL SELF-CONTAINED EQUIPMENT, INCLUDING ICE MACHINES.
2. REFRIGERATION CONTRACTOR SHALL INSTALL PROBES IN COOLERS AND FREEZERS. PROBES ARE FURNISHED BY PUBlix.
3. WALK-IN COOLERS AND FREEZERS ARE FURNISHED BY PUBlix AND INSTALLED BY THE MANUFACTURER.
4. REFRIGERATION CONTRACTOR SHALL INSTALL AND PPE ALL EVAPORATOR COILS AND HAND VALVES IN COOLERS AND FREEZERS.
5. TOP OVERHEAD REFRIGERATION PIPING ABOVE THE SALES AREA, THE REFRIGERATION INSTALLATION CONTRACTOR SHALL PROVIDE AND INSTALL A DRAIN PAN AS PER TYPICAL DETAIL.
6. REFRIGERATION CONTRACTOR SHALL SET REFRIGERANT VALVES TO MAINTAIN 145°F AT HEAT RECLAIM TANKS. CUT IN AT 142°F, CUT OUT AT 148°F. SET AUXILIARY ELEMENTS IN HEAT RECLAIM TANKS TO 130°F. HILL PHOENIX SHALL SET ELEMENT IN CIRCULAR WATER HEATER TO 140°F.
7. REFRIGERATION CONTRACTOR SHALL MOUNT MANUFACTURER SUPPLIED SENSORS UNDERNEATH REFRIGERATION CONDENSERS TO AVOID DIRECT CONTACT WITH WALLS. SENSORS AND WIRING PROVIDED BY MECHANICAL CENTER MANUFACTURER.
8. REFRIGERATION CONTRACTOR TO COORDINATE REFRIGERATION PIPING WITH DUCTWORK INSTALLER. REFRIGERATION CONTRACTOR AND PLUMBING CONTRACTOR SHALL ALSO COORDINATE REFRIGERATION DROPS AND VENT PIPES TO RUN BUNDLED TOGETHER.

PIPING NOTES
1. ALL OVERHEAD REFRIGERATION PIPING AT BACKROOM NEEDS TO STAY A MINIMUM 24" OUT OF THE BACK WALL OF THE SALES FLOOR AREA (WHICH IS THE WALL BEHIND THE MEAT LINEUP).
2. UTILIZE THE STACKING OF REFRIGERATION LINES WHERE SPACE IS LIMITED.
3. OVERHEAD REFRIGERATION PIPING TO BE HELD TIGHT TO THE BOTTOM OF THE JOISTS.

AREAS OF HORIZONTAL RUNS BY TRADES
ELECTRICAL: TOP OF STEEL ORDER AND JOIST TO 36" IN BELOW TOP OF STEEL WHERE EXPOSED IN PROTOTYPE. IMMEDIATELY BELOW TOP OF JOIST MEMBER AND PASSING BETWEEN STEEL JOIST MEMBER. THE INSTALLATION SHALL BE IN COMPLIANCE WITH NEC 300.4(D).
REFRIGERATION: 32" IN. TO 36" IN BELOW ROOF DECK WHERE EXPOSED IN PROTOTYPE. IMMEDIATELY BELOW BOTTOM CHORD OF STEEL JOIST ORDERS AND JOISTS.
FIRE SPRINKLER: 8" IN ABOVE CEILING WHERE EXPOSED IN PROTOTYPE. 8" IN ABOVE BOTTOM CHORD OF STEEL ORDER JOISTS AND JOISTS.
AIR CONDITIONING: 36" IN BELOW ROOF DECK TO 9" IN ABOVE CEILING WHERE EXPOSED IN PROTOTYPE. HANG AS CLOSE UNDER BOTTOM CHORD OF STEEL JOIST ORDERS AND JOISTS AS POSSIBLE WHILE LEAVING ROOM FOR REFRIGERATION LINES.
IF DEVIATION FROM THESE AREAS IS INDICATED, SUCH DEVIATION MUST BE APPROVED UPON BY JOB SUPERINTENDENT AND PUBlix REPRESENTATIVE.

LEGEND
--- REFRIGERATION LOOP 1A PIPING
--- REFRIGERATION LOOP 2A PIPING
□ FALSE COLUMN



Order Plans @ WWW.LDOnline.com