

DATE:	
PLT DATE:	25 AUG 2017
REVISION DATA:	

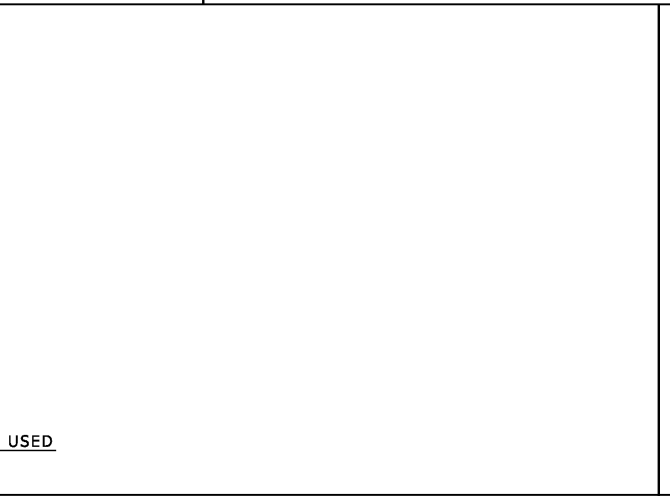
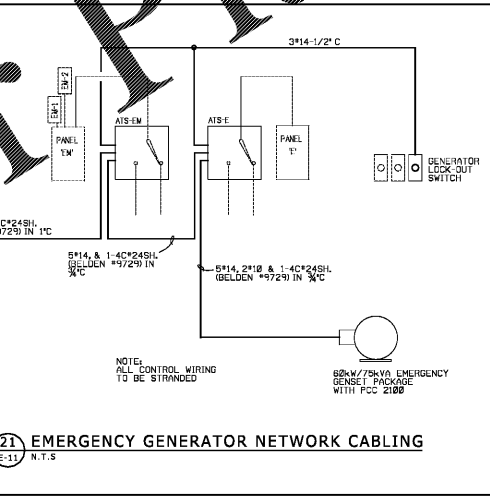
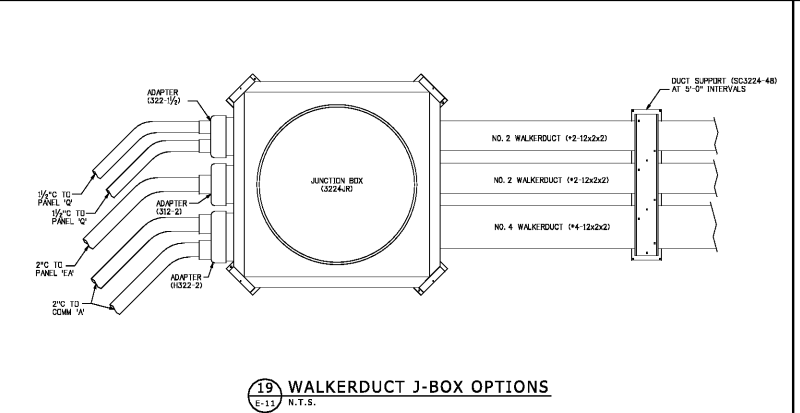
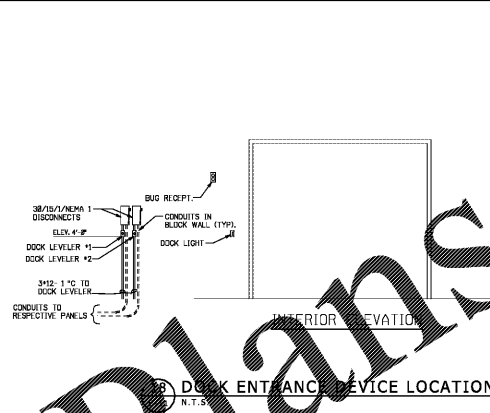
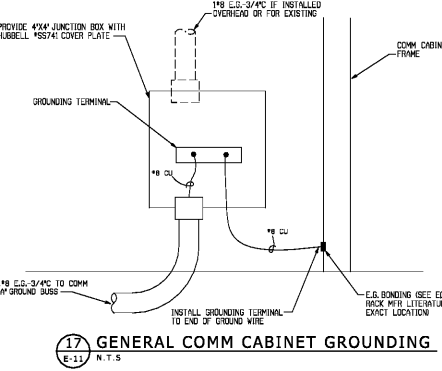
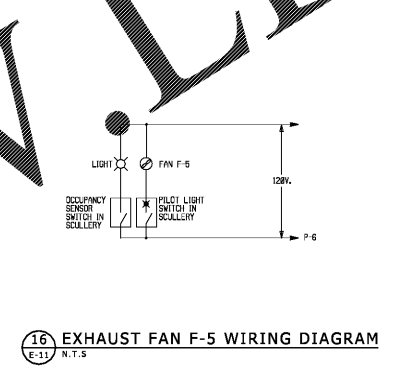
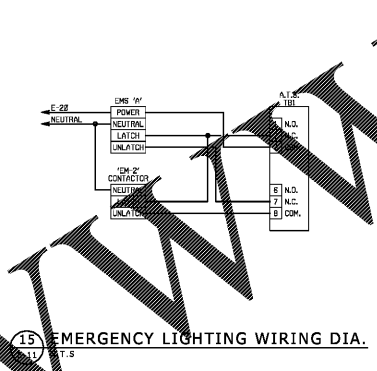
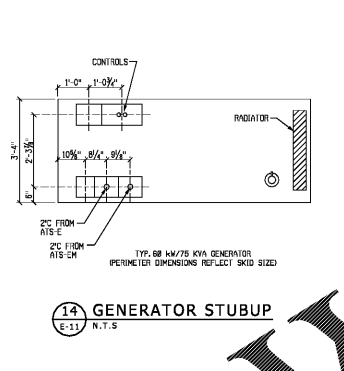
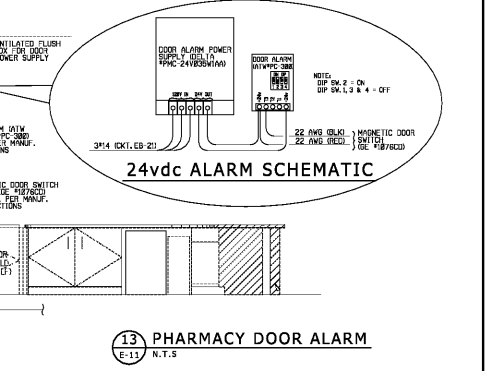
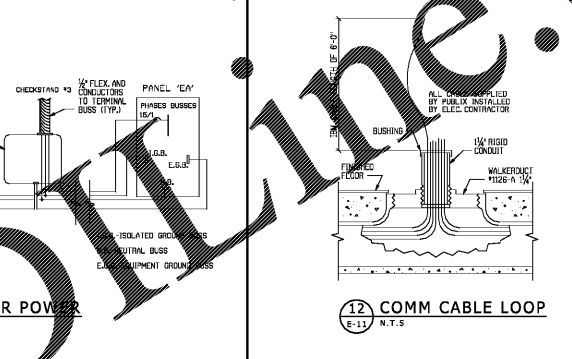
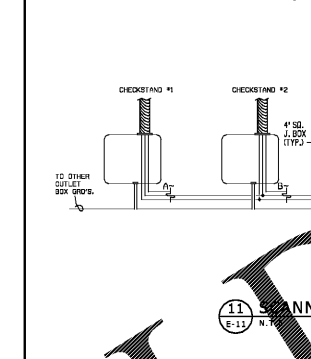
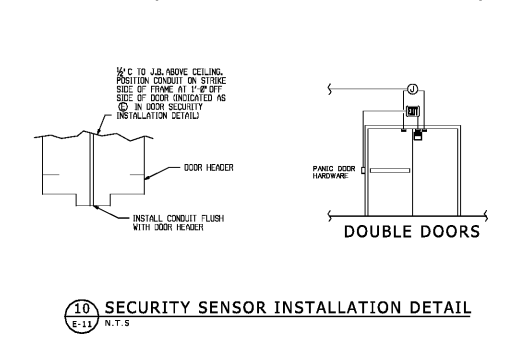
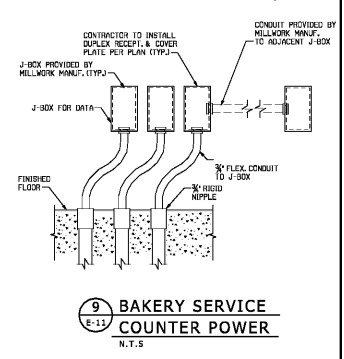
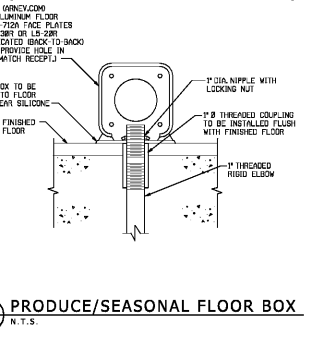
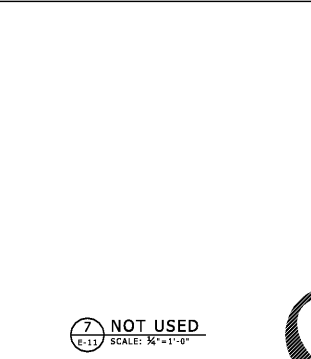
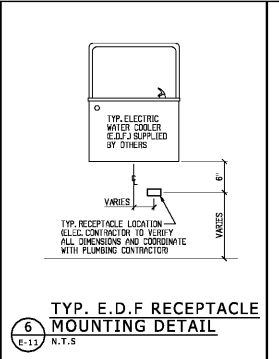
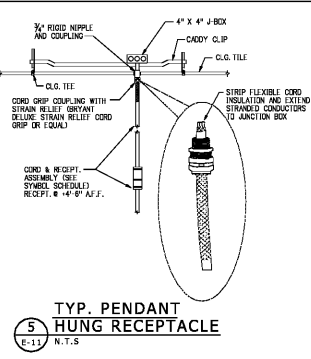
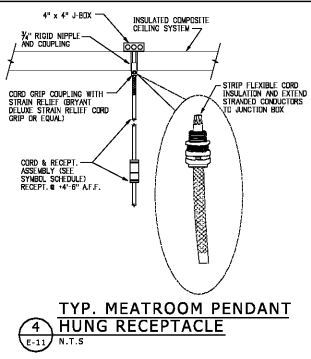
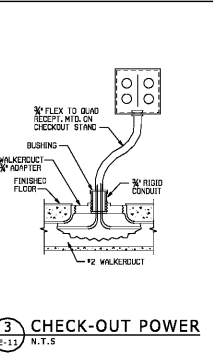
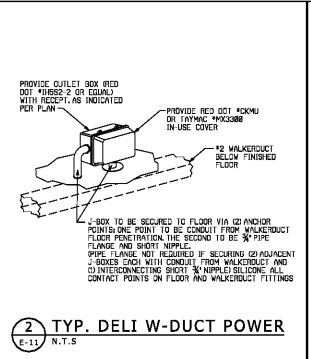
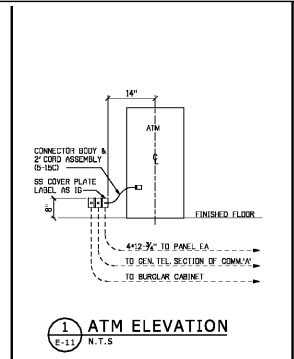
1637  
PUBLIX @ LAKE CROSSING  
PLATT SPRINGS RD & HWY 6  
LEXINGTON, LEXINGTON, SC

**45.9.2**  
08/17/2017  
SIENNA - LITE

ELECTRICAL  
DETAILS

SCALE: AS NOTED

**E-11**



Order Plans @ [www.linedrive.com](http://www.linedrive.com)