

PLOT DATE:
25 AUG 2017

REVISION DATA:

1637
PUBLIX @ LAKE CROSSING
PLATT SPRINGS RD & HWY 6
LEXINGTON, LEXINGTON, SC

45.92
08/17/2017
SIENNA - UTE

ELECTRICAL
SECONDARY
LIGHTING PLAN

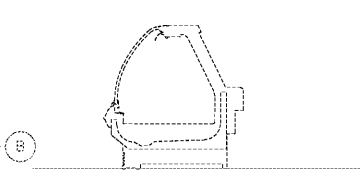
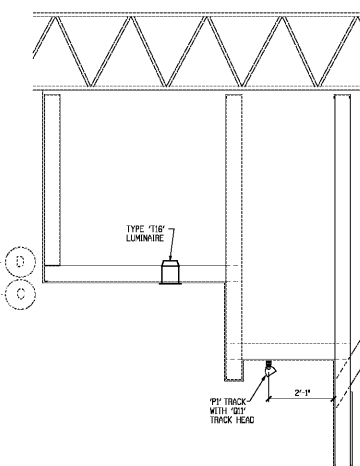
SCALE: 1/8" = 1'-0"

E-2

TRACK LIGHTING BILL OF MATERIAL

QTY.	MARK/PART #	MANUF.	DESCRIPTION	REMARKS
18	0552-2-3	AMERLUX	12" 2" 1-CIRCUIT TRACK	4 CABLES PER LENGTH
14	0552-2-3	AMERLUX	8" 2" 1-CIRCUIT TRACK	3 CABLES PER LENGTH
5	0552-2-3	AMERLUX	4" 2" 1-CIRCUIT TRACK	3 CABLES PER LENGTH
1	ACU-0811-3-3	AMERLUX	END FEED CURRENT LIMITER 3A	
1	ACU-0814-3-3	AMERLUX	CENTER FEED CURRENT LIMITER 3A	
18	0813-1-3	AMERLUX	END FEED (LIVE END)	
18	0813-1-3	AMERLUX	STRAIGHT CONNECTOR	
136		AMERLUX	1/8" STAINLESS STEEL CABLE	
136		AMERLUX	CABLE DRIPPERS	
24	Q11	AMERLUX	HORNET-HP-A1-1/2" 120V-15A	15A TRACK LIGHTING
24	Q13	AMERLUX	QTY 1/4" 1/2" 120V-15A	15A TRACK LIGHTING

TRACK LIGHTING INSTALLATION NOTES:
TRACK LIGHTING SHALL BE SPACED WITH 1/8" CABLE AND HARDWARE BY PUBLIX
AND UNLESS NOTED OTHERWISE, SHALL BE INSTALLED AT 14'-0" A.F.F. TOP OF TRACK (UNLESS NOTED OTHERWISE).
TRACK TO BE SUSPENDED WITH 4 CABLES.
TRACK TO BE SUSPENDED WITH 4 CABLES.
TRACK AND CABLES SHALL BE INSTALLED PER MANUFACTURER'S INSTRUCTIONS.
IMPORTANT: TRACK LIGHTING INSTALLATION SHALL BE APPROVED BY ARCHITECT PRIOR TO CONSTRUCTION. THESE DOCUMENTS ARE FOR DESIGN TEAM ONLY.



Order Plans @

WWW.WDLINE.COM