

SPECIAL GREASE HOOD NOTES

- HOOD FURNISHED BY PUBLIX, INSTALLED BY CONTRACTOR.
- ENTIRE HOOD TO BE 18 GA. STAINLESS STEEL, 430, K04L LINE FINISH.
- HOOD TO HAVE FIRE EXTINGUISHER SYSTEM AS SPECIFIED WITH DEEP FRYER PROTECTION. HOOD AND EXTINGUISHER SYSTEM SHALL BE IN COMPLIANCE WITH N.F.P.A. STANDARDS NFPA 96 AND 11.300.
- HOOD MUST BE HANG LEVEL FOR PROPER GREASE DRAINAGE.
- HOOD AND DUCT SHALL BE WELDED CONSTRUCTION WITH LIQUID TIGHT CONTINUOUS EXTERNAL WELD.
- DUCT TO BE 1" O.C. TIGHT OF ANY COMBUSTIBLE MATERIALS.
- ALL SHEET METAL EDGES AND WELDS TO BE GRIND SMOOTH SO HOOD CAN BE CLEANED THOROUGHLY AND SAFELY.
- PROVIDE S.S. NO. 430, 18 GA. SHORT AROUND DUCT FROM HOOD TO FINISH CEILING FOR BAKERY HOOD.
- STAINLESS STEEL WALL FINISH TO BE 48" SHEET WELDED TURNED 1/2" TO WRAP 1/2" DUCTWORK SMOOTH OUT TO 48" WELDED EXTEND PANELS FROM TOP OF BASE TO HOOD AND TO CEILING AT SIDES OF HOOD.

SCALE: 1/2" = 1'-0"

Publix SUPER MARKETS

CORPORATE OFFICES, FACILITIES DESIGN
 9064 W. LAKEWOOD BL. #3002
 LAKELAND, FL 33809
 3300 PALM COUNTRYSIDE DR. #100
 LAKELAND, FL 33811

PUBLIX FACILITIES DESIGN DEPARTMENT

DAVID W. BROWN, PE
 ARCHITECTURAL
 CA REG. 000137
 FL REG. 000137
 NC REG. 000137
 VA REG. 000137

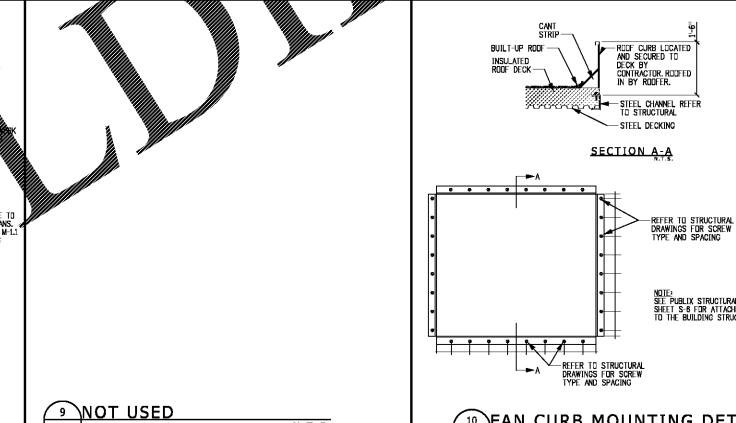
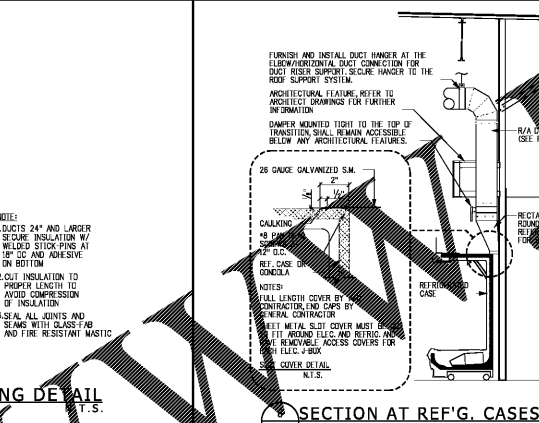
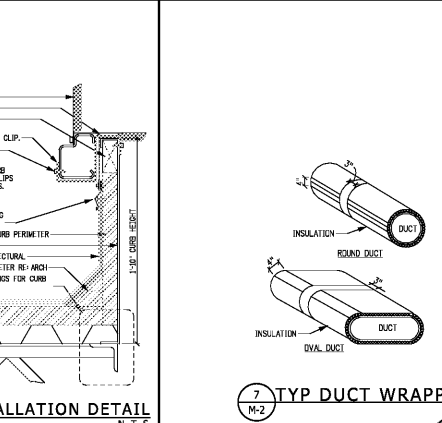
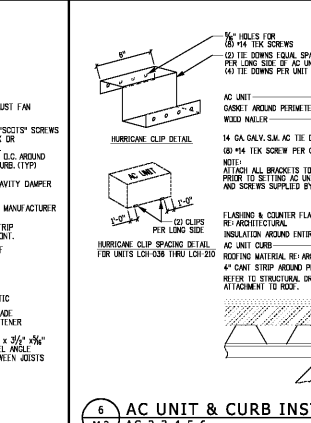
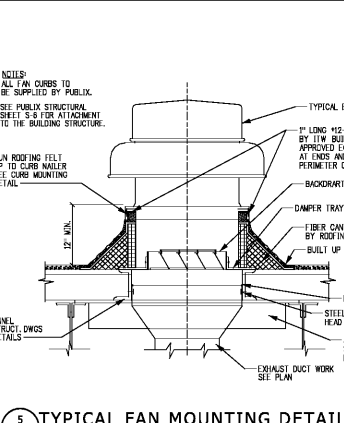
JOHN J. HARMAN, PE
 STRUCTURAL
 CA REG. 000137
 FL REG. 000137
 NC REG. 000137
 VA REG. 000137

JOHN J. CARAMAN, PE
 MECHANICAL
 CA REG. 000137
 FL REG. 000137
 NC REG. 000137
 VA REG. 000137

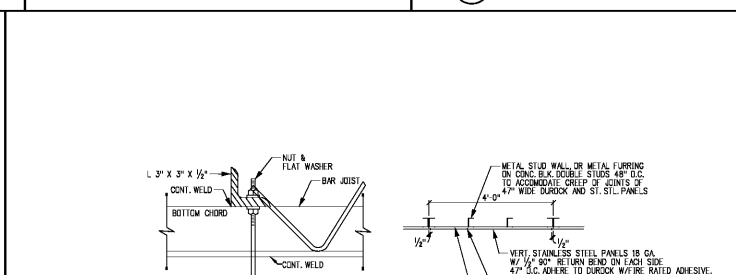
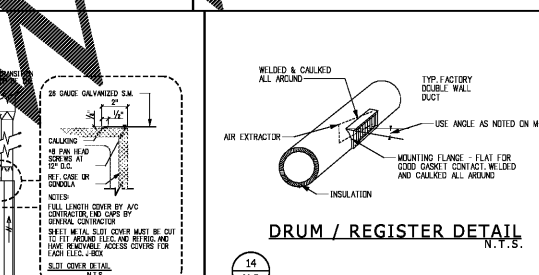
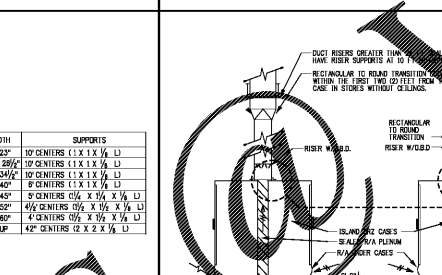
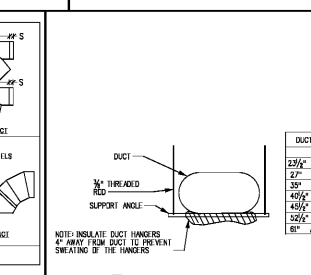
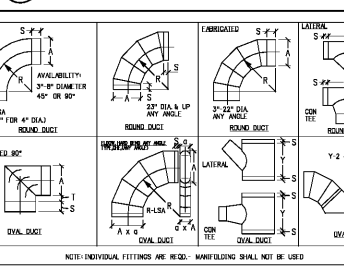
ANTHONY CLEMENTI, PE
 MECHANICAL
 CA REG. 000137
 FL REG. 000137
 NC REG. 000137
 VA REG. 000137

RAYMOND J. SIRIANNI, PE
 ELECTRICAL
 CA REG. 000137
 FL REG. 000137
 NC REG. 000137
 VA REG. 000137

NORMAN MEIER, PE
 ELECTRICAL
 CA REG. 000137
 FL REG. 000137
 NC REG. 000137
 VA REG. 000137



NOT USED
 N.T.S.



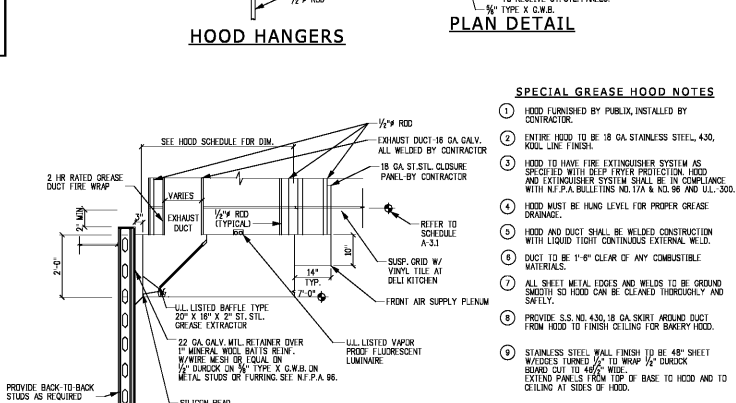
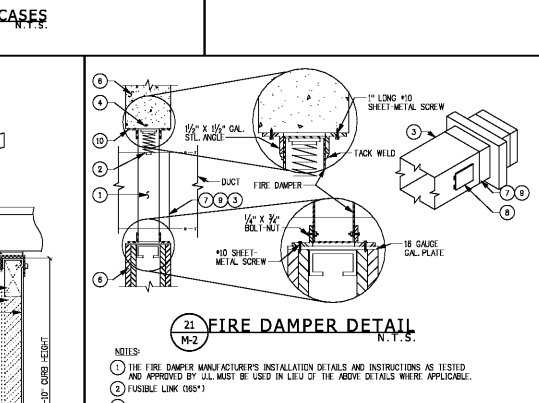
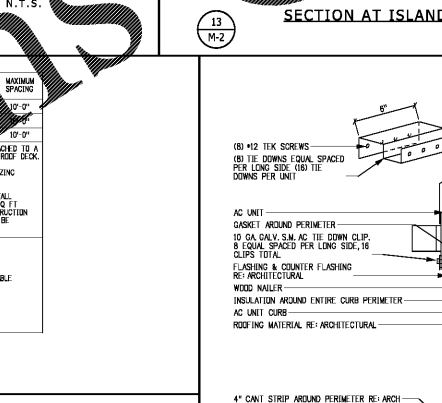
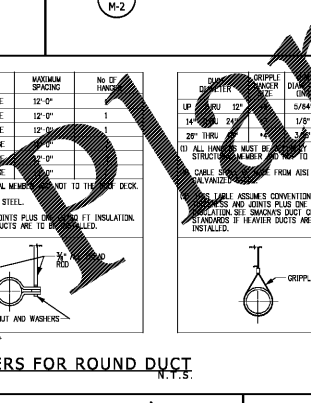
SPECIAL GREASE HOOD NOTES

- HOOD FURNISHED BY PUBLIX, INSTALLED BY CONTRACTOR.
- ENTIRE HOOD TO BE 18 GA. STAINLESS STEEL, 430, K04L LINE FINISH.
- HOOD TO HAVE FIRE EXTINGUISHER SYSTEM AS SPECIFIED WITH DEEP FRYER PROTECTION. HOOD AND EXTINGUISHER SYSTEM SHALL BE IN COMPLIANCE WITH N.F.P.A. STANDARDS NFPA 96 AND 11.300.
- HOOD MUST BE HANG LEVEL FOR PROPER GREASE DRAINAGE.
- HOOD AND DUCT SHALL BE WELDED CONSTRUCTION WITH LIQUID TIGHT CONTINUOUS EXTERNAL WELD.
- DUCT TO BE 1" O.C. TIGHT OF ANY COMBUSTIBLE MATERIALS.
- ALL SHEET METAL EDGES AND WELDS TO BE GRIND SMOOTH SO HOOD CAN BE CLEANED THOROUGHLY AND SAFELY.
- PROVIDE S.S. NO. 430, 18 GA. SHORT AROUND DUCT FROM HOOD TO FINISH CEILING FOR BAKERY HOOD.
- STAINLESS STEEL WALL FINISH TO BE 48" SHEET WELDED TURNED 1/2" TO WRAP 1/2" DUCTWORK SMOOTH OUT TO 48" WELDED EXTEND PANELS FROM TOP OF BASE TO HOOD AND TO CEILING AT SIDES OF HOOD.

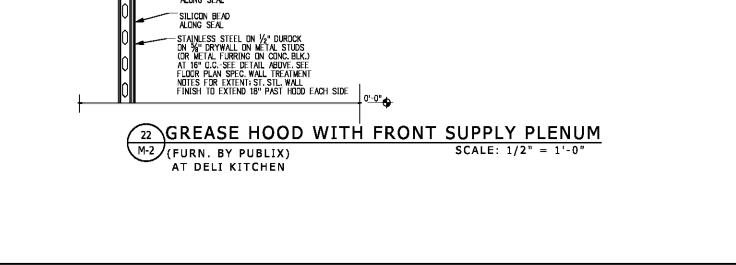
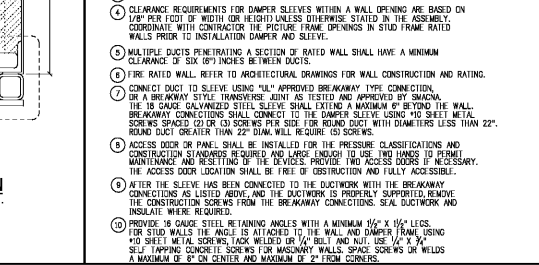
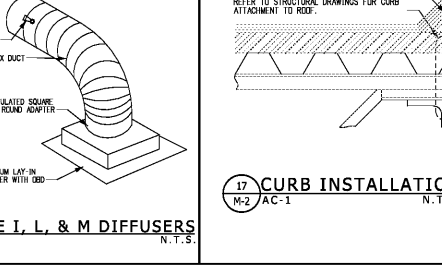
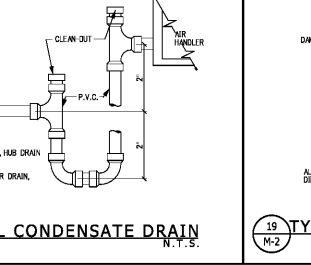
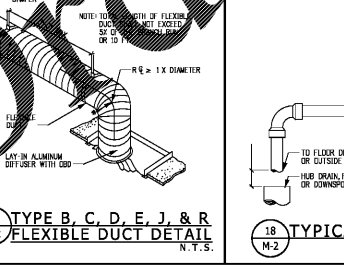
16 TYPE B, C, D, E, J, & R FLEXIBLE DUCT DETAIL M-2

DUCT DIAMETER	ROUND HANGERS	STRIP HANGERS	MAXIMUM SPACING	NO. OF HANGERS
18"	6 GAUGE WIRE	1" x 22 GAUGE	12'-0"	1
24"	5/8" ALL TREAD ROD	1" x 22 GAUGE	12'-0"	1
30"	3/4" ALL TREAD ROD	1" x 22 GAUGE	12'-0"	1
36"	1" ALL TREAD ROD	1" x 22 GAUGE	12'-0"	1
42"	1 1/4" ALL TREAD ROD	1" x 22 GAUGE	12'-0"	1
48"	1 1/2" ALL TREAD ROD	1" x 22 GAUGE	12'-0"	1
54"	1 3/4" ALL TREAD ROD	1" x 22 GAUGE	12'-0"	1
60"	2" ALL TREAD ROD	1" x 22 GAUGE	12'-0"	1
66"	2 1/4" ALL TREAD ROD	1" x 22 GAUGE	12'-0"	1
72"	2 1/2" ALL TREAD ROD	1" x 22 GAUGE	12'-0"	1

NOTE: INDIVIDUAL FITTINGS ARE REQUIRED. OVERLAPPING SHALL NOT BE USED.



NOT USED
 N.T.S.



NOT USED
 N.T.S.

Order Plans

DATE: 25 AUG 2017

REVISION DATA:

1637
 PUBLIX @ LAKE CROSSING
 PLATT SPRINGS RD & HWY 6
 LEXINGTON, LEXINGTON, SC

45.92
 08/25/2017

SIENNA-LITE

HVAC DETAILS

SCALE: 1/8" = 1'-0"

M-2