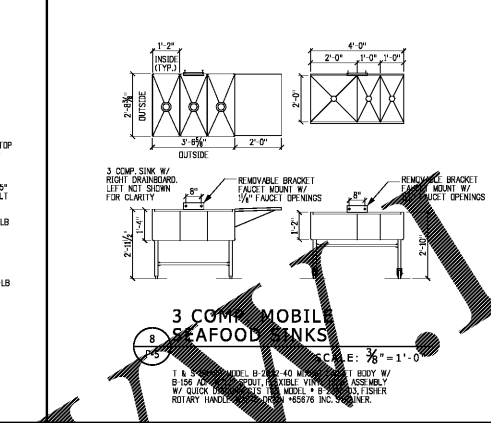
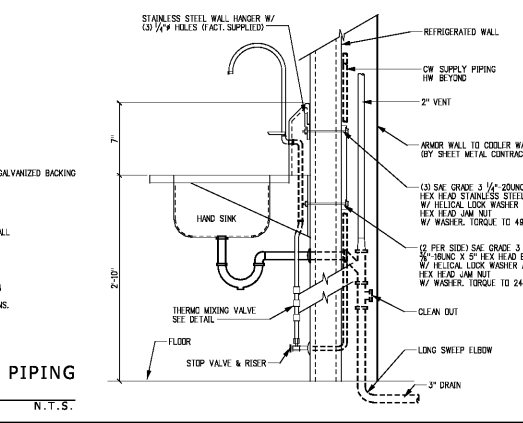
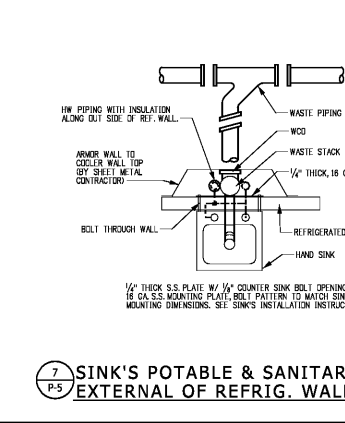
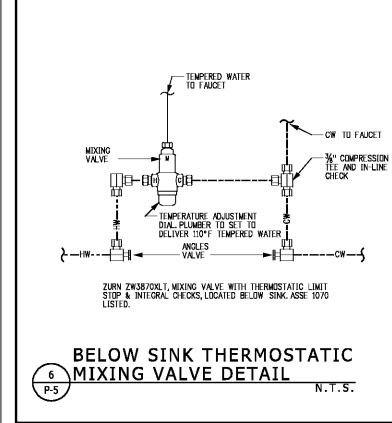
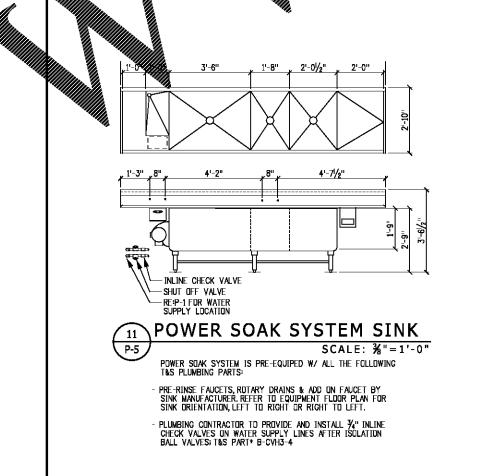
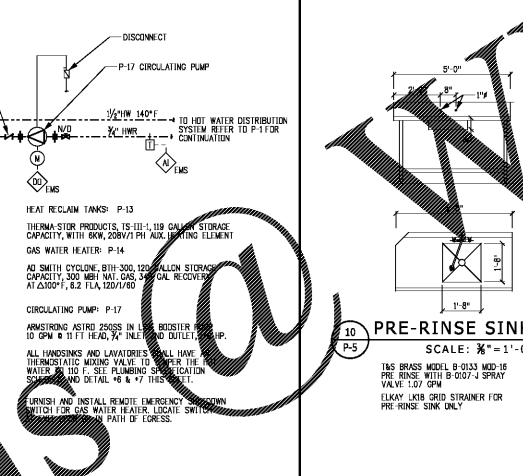
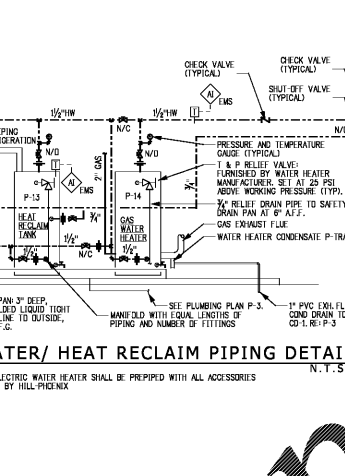
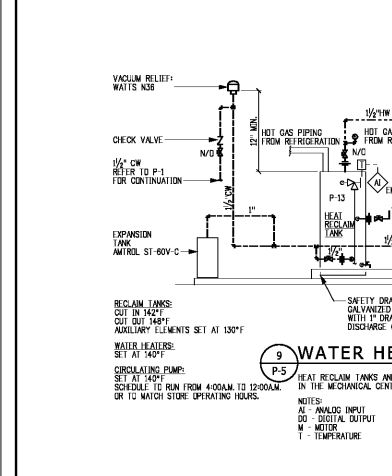


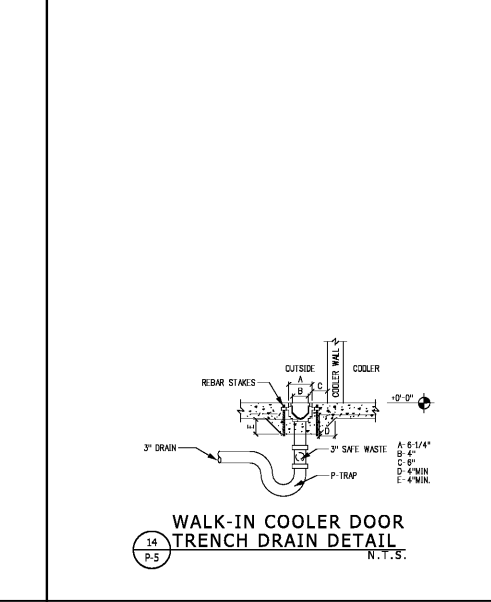
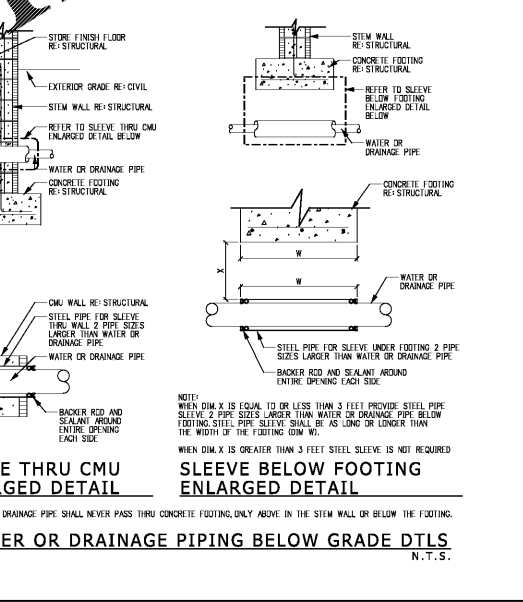
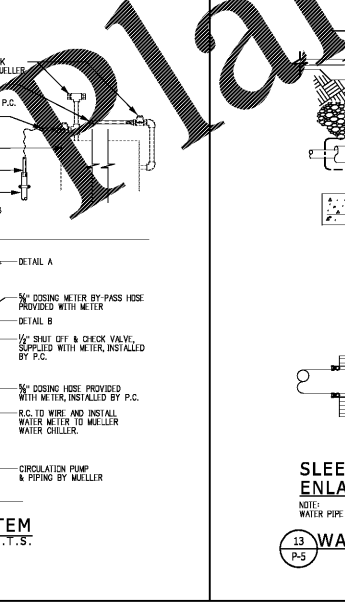
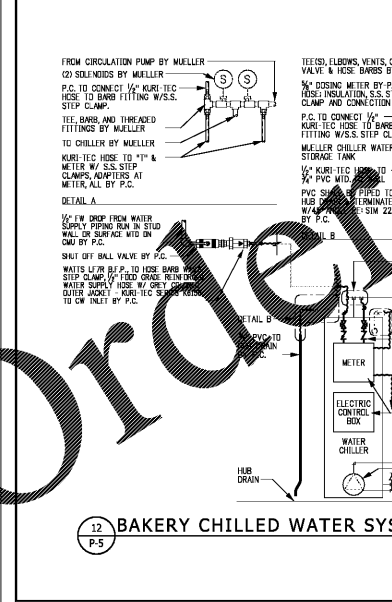
MARK	FIXTURE	AMERICAN STANDARD OR AS NOTED DESCRIPTION	TRIP/DRAIN CONNECTION	SERVICE CONNECTIONS	SUPPLIED BY	REMARKS
P-1	WC - WATERCLOSET	224.001 FLOMATED, MAJORA, DISMITE, 955CCT EXTRA HEAVY DUTY WHITE SEAT, SLOW 10\"/>				
P-2	WC - WATERCLOSET	304.001 FLOMATED, MAJORA, 17\"/>				
P-3	UR - URINAL	ZURN DINK-FLO 25755-U W/ZEROD3AV ULT-CP QJ25 CP FLOOR VALVE, SLOW, W/US1001403-013 W/WHITE/GRAL. CLOS. CP FLUSH VALVE	2\"/>			
P-4	LAV - LAVATORY	093.000 AMERICAN STAND, HURLOW/ONE GUIND (SLOW) 17\"/>				
P-5	LAV - LAVATORY	810 CORIAN SINK W/SLOW BASTYS FTX-200-303-000, SLS. HELL DRCK MID. HANDS FREE, 1/2\"/>				
P-6	NOT USED	NOT USED				
P-7	HAND SINK	ELKAY D2170R24 18 GA TYPE 304 S.S. 18 3/4\"/>				
P-8	S - SINK	ELKAY D283210 DOUBLE BOWL SINK, 1/4\"/>				
P-9	KS - SINK	STAINLESS STEEL SINK, 18\"/>				
P-10	S - SINK	ELKAY D40-1220SLS, 17 X 20 3/8\"/>				
P-11	S - SINK	ELKAY BCR-12-S.S. SELF-RIMMING 12\"/>				
P-12	KS - SINK	WETTER STAINLESS STEEL SINK, FINISHED BY PLUMBER, STAINLESS STEEL, PLUMBER, FLOOR, ETC.) BY PLUMBER				
P-13	HYD - HYDRANT	HYDRANT FOR 10.5 119 GPM, 150 PSI, 2\"/>				
P-14	OW - G.W. WATER	3\"/>				
P-15	HYD - HYDRANT	SMITH #58001 HW CW NON-FREEZE RECESS HYDRANT W/ VACUUM BREAKER (FOR FLORIDA STORES ONLY.)				
P-16	CP - CIRCULATING PUMP	ARMSTRONG ASTRO 250SS IN LINE BOOSTER PUMP 10 GPM @ 11 FT HEAD, 3/4\"/>				
P-17	ED - ELEC. DKG. FIN. DUAL LEVEL	ELKAY MODEL E2512C OR 2535 HYDRANT, 1 1/2\"/>				
P-18	ED - ELEC. DKG. FIN. DUAL LEVEL	ELKAY MODEL E25-8 OR 2535 HYDRANT, 1 1/2\"/>				
P-19	ED - ELEC. DKG. FIN.	ICE MADE BY PUBLIX ROUGH-IN & HOOK UP BY PLUMBER WITH SEEP VALVE				
P-20	L.M. ICE MACH	HERBART C-44E DISHWASHER, ELECTRIC, 15 KW HEAT, SEE PLAN FOR LOCATION, 18\"/>				
P-21	D.W. - DISHWASHER	HERBART C-44E DISHWASHER, ELECTRIC, 15 KW HEAT, SEE PLAN FOR LOCATION, 18\"/>				
P-22	NOT USED	NOT USED				
P-23	C.W. - CW WASH	SMITH #5801 3/4\"/>				
P-24	NOT USED	NOT USED				
P-25	NOT USED	NOT USED				
P-26	WS - W.P. SINK	ELKAY STAINLESS STEEL W.P. SINK STORAGE CABINET, MODEL #1835 VSSCIN, INC. DRAIN W.S.S. COVER, PROVIDE 1 1/8\"/>				
P-27	S - SINK (FLORIDA)	WIN-HOLT W/ TOP 283210/283210/283210 (4 HELDS) 18\"/>				
P-28	W.F. - WATER FILTER	QUINO WATER FILTER SYSTEM, SEE PLAN FOR LOCATION				
P-29	NOT USED	NOT USED				
P-30	POWER SOAK SYSTEM	POWER SOAK SYSTEM IS PRE-EQUIPPED W/ ALL THE NECESSARY TUBS OR CHUCKS, PLUMBING PARTS, RINSE PIPING, & 1\"/>				
P-31	POTABLE WATER BOOSTER PUMP	COLDS AQUARIUM - 800 50 GPM 1/2\"/>				



MARK	DESCRIPTION	SMITH	ZURN	PLASTIC DOWELS PVC / ABS	COMMENTS
D-1	12\"/>				
D-2	12\"/>				
D-3	8\"/>				
D-4	6\"/>				
D-5	6\"/>				
D-6	6\"/>				
D-7	12\"/>				
D-8	12\"/>				
D-9	12\"/>				
D-10	12\"/>				
D-11	12\"/>				
D-12	12\"/>				
D-13	12\"/>				
D-14	12\"/>				
D-15	12\"/>				
D-16	12\"/>				
D-17	12\"/>				
D-18	12\"/>				
D-19	12\"/>				
D-20	12\"/>				
D-21	12\"/>				
D-22	12\"/>				
D-23	12\"/>				
D-24	12\"/>				



MARK	DESCRIPTION	SMITH	ZURN	PLASTIC DOWELS PVC / ABS	COMMENTS
D-1	12\"/>				
D-2	12\"/>				
D-3	8\"/>				
D-4	6\"/>				
D-5	6\"/>				
D-6	6\"/>				
D-7	12\"/>				
D-8	12\"/>				
D-9	12\"/>				
D-10	12\"/>				
D-11	12\"/>				
D-12	12\"/>				
D-13	12\"/>				
D-14	12\"/>				
D-15	12\"/>				
D-16	12\"/>				
D-17	12\"/>				
D-18	12\"/>				
D-19	12\"/>				
D-20	12\"/>				
D-21	12\"/>				
D-22	12\"/>				
D-23	12\"/>				
D-24	12\"/>				



CORPORATE OFFICES, FACILITIES DESIGN
4047 LAKELAND BLVD
LAKELAND, FL 33802

PHYSICAL ADDRESS
3300 PALM CANYON BLVD
LAKELAND, FL 33811

PUBLIX FACILITIES DESIGN DEPARTMENT
DAVID ALLEN
ARCHITECT, AIA
DAVID ALLEN ARCHITECTS, INC.
1000 S. W. 11TH AVE., SUITE 100
MIAMI, FL 33135
TEL: 305.371.1000
FAX: 305.371.1001

JOHN J. CARROLL
ARCHITECT, AIA
1000 S. W. 11TH AVE., SUITE 100
MIAMI, FL 33135
TEL: 305.371.1000
FAX: 305.371.1001

PAUL C. HARMAN, PE
STRUCTURAL ENGINEER
1000 S. W. 11TH AVE., SUITE 100
MIAMI, FL 33135
TEL: 305.371.1000
FAX: 305.371.1001

JOHN J. CARROLL, PE
MECHANICAL ENGINEER
1000 S. W. 11TH AVE., SUITE 100
MIAMI, FL 33135
TEL: 305.371.1000
FAX: 305.371.1001

ANTHONY CLEMENTI, PE
MECHANICAL ENGINEER
1000 S. W. 11TH AVE., SUITE 100
MIAMI, FL 33135
TEL: 305.371.1000
FAX: 305.371.1001

RAYMOND J. SIBBANI, PE
ELECTRICAL ENGINEER
1000 S. W. 11TH AVE., SUITE 100
MIAMI, FL 33135
TEL: 305.371.1000
FAX: 305.371.1001

NORMAN MEIER, PE
MECHANICAL ENGINEER
1000 S. W. 11TH AVE., SUITE 100
MIAMI, FL 33135
TEL: 305.371.1000
FAX: 305.371.1001

© COPYRIGHT 2017
PUBlix SUPER MARKETS, INC.

THESE CONSTRUCTION DOCUMENTS ARE THE PROPERTY OF PUBLIX SUPER MARKETS, INC. AND ARE NOT TO BE COPIED OR REPRODUCED IN ANY MANNER WITHOUT THE WRITTEN PERMISSION OF PUBLIX SUPER MARKETS, INC. THE USER HEREBY AGREES TO HOLD PUBLIX SUPER MARKETS, INC. HARMLESS FROM ANY AND ALL LIABILITY FOR DAMAGES, INCLUDING REASONABLE ATTORNEY'S FEES, ARISING OUT OF OR FROM THE USE OF THESE CONSTRUCTION DOCUMENTS. THIS IS THE BEST OF ANY AVAILABLE MEANS AND DOES NOT CONSTITUTE A WARRANTY OF ANY KIND.

1637
PUBLIX @ LAKE CROSSING
PLATT SPRINGS RD & HWY 6
LEXINGTON, LEXINGTON, SC

45.9.2
08/17/2017
SIENNA-LITE

PLUMBING SCHEDULES AND DETAILS

SCALE: 1/8" = 1'-0"

P-5