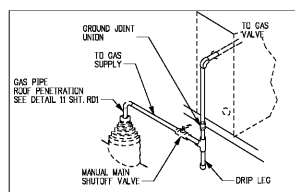
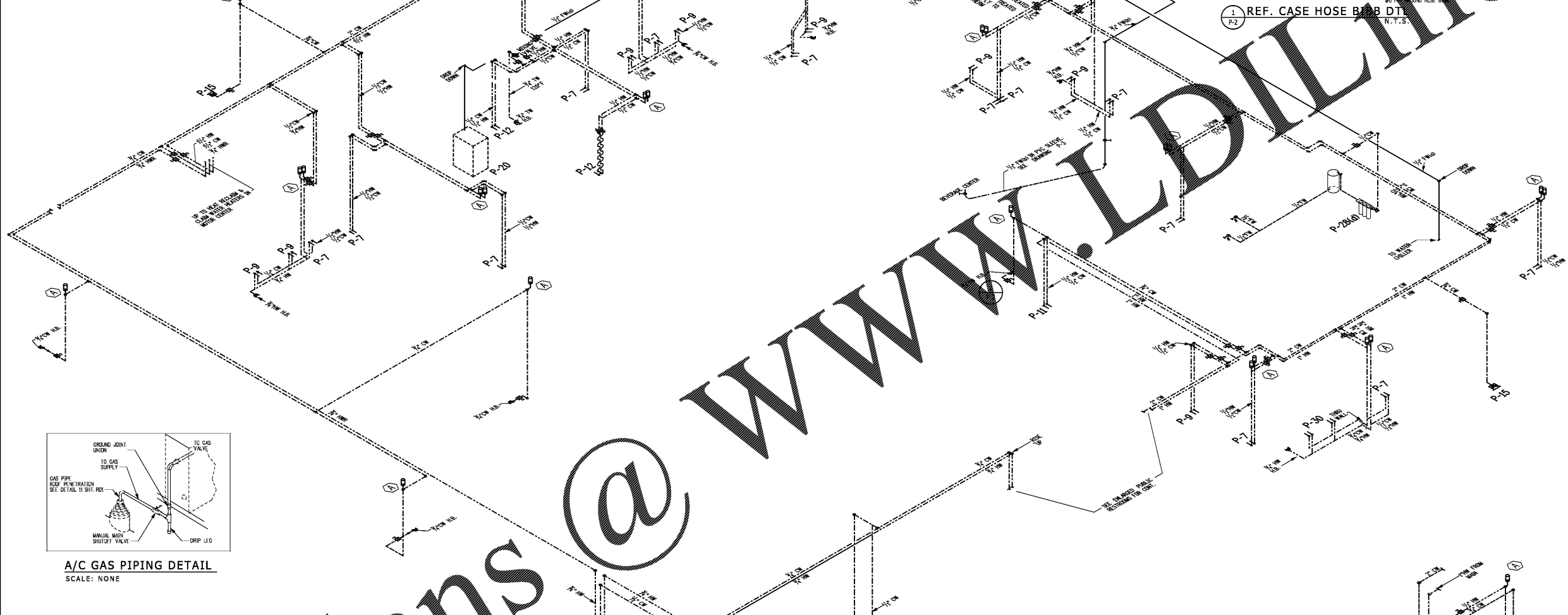
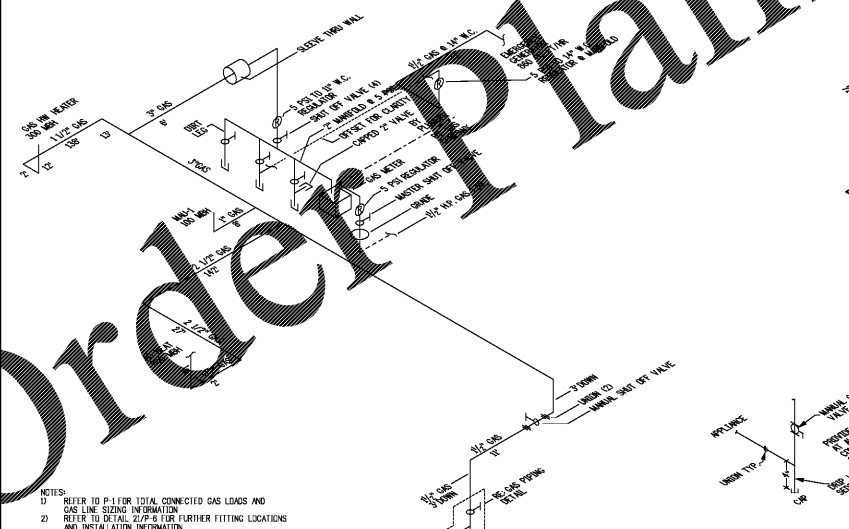
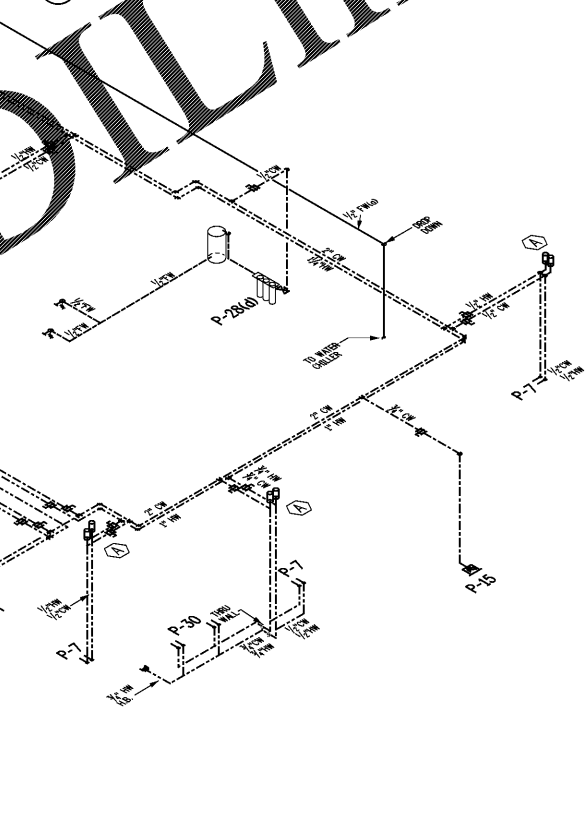


ENLARGED EMPLOYEE RESTROOM WATER PIPING ISOMETRIC
N.T.S.

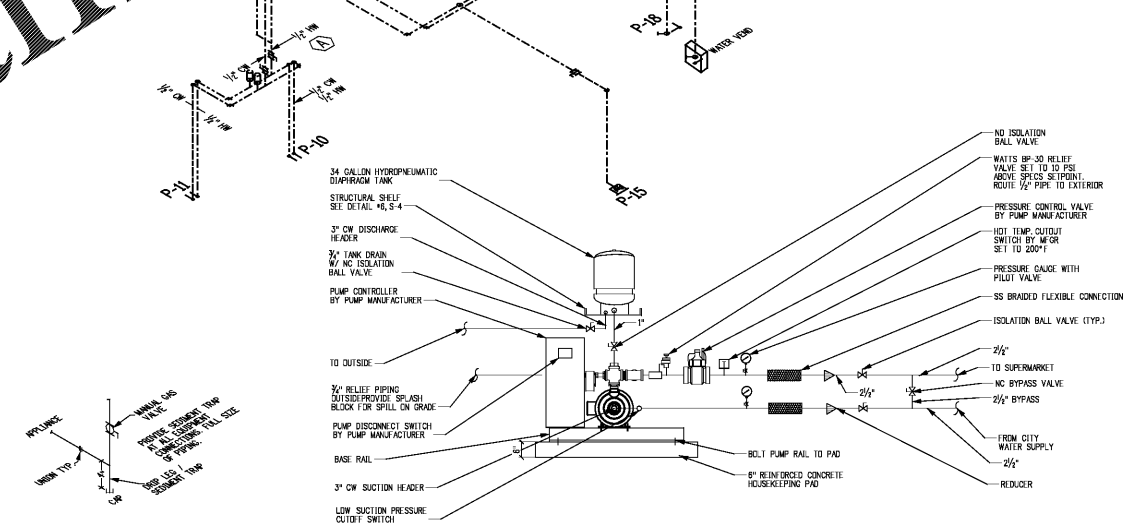


A/C GAS PIPING DETAIL
SCALE: NONE

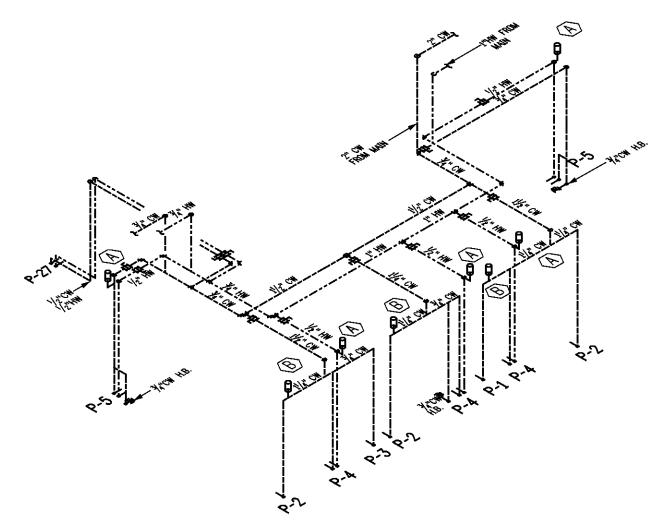
REF. CASE HOSE BIB DETAIL
N.T.S.



GAS PIPING ISOMETRIC
SCALE: NONE



1 SIMPLEX MINIBOOSTER PIPING SCHEMATIC
SCALE: NTS



ENLARGED PUBLIC RESTROOMS WATER PIPING ISOMETRIC
N.T.S.

DATE:	25 AUG 2017
REVISION DATA:	

1637
PUBlix LAKE CROSSING
PLATT SPRINGS RD & HWY 6
LEXINGTON, LEXINGTON, SC

45.92
08/17/2017
SIENNA - LITE

WATER & GAS PLUMBING ISOMETRIC

SCALE: 1/8" = 1'-0"

P-2

Order Plans @ WWW.LDLINE.COM